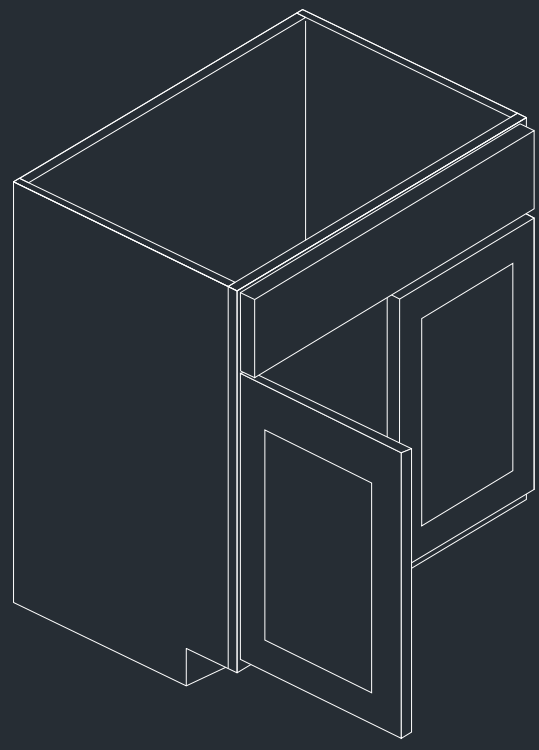




June  
**2024**



# Product Spec Book

America's Best Value In Cabinetry®

---

## Dear CNC Value Partner,

Thank you for your interest in CNC Cabinetry.

CNC was founded on the idea of making kitchen cabinets more accessible to all, by offering the ultimate value design, quality and price.

For over three decades now, we at CNC have been providing kitchen and bath dealers and the customers they serve throughout the United States with the ultimate value in kitchen cabinets, countertops, and bathroom vanities. Rather than tossing about meaningless boardroom phrases, we set out to define just what exactly value means.

For us, value means ordering high-quality products at affordable prices. Value means being able to offer a vast, ever-expanding selection of progressively designed door styles. Value means providing lightning-quick turnaround times. Value means giving someone the ability to talk to a real person who understands your needs.

Our motto, "America's Best Value in Cabinetry", reflects our commitment to you, our customer. We provide this value nationally through our many locations across the country. This strategy not only ensures efficiency in delivery but also emphasizes our nationwide accessibility.

This is the core of CNC - a company built on providing our customers with the ultimate value in design, quality, and service. Our cabinets create a comfortable and personalized living space, transforming the house into a home. Please peruse the accompanying material to get to know us, and how we can service you.

Yours truly,



**Nathan Indig**

CEO, CNC Cabinetry

# New in this Book

## Additions:

Luxor:	Page	Concord:	Page	Classic:	Page	Other	Page
OV30-TRM	45	VDB21	117	V36DL	156	MT2-6X6SP	23
OV33-TRM	45	VDB24	117	V36DR	156	MT2-CB6X6	23
OVD30-TRM	46	V27	116	REP196	157	MT-2822	168
UC3024X84	44	V33	116	UREP1.5X96X27	157	MT3422	168
UC3024X90	44	V42	116	MATCHING EDGEBAND	159	MTS2-2822	168
UC3024X96	44	OV30-TRM	108	SHM (M40, M41, M42, M43)	158	MTS2-3422	168
3324X24	29	OV33-TRM	108	OCM (M40, M41, M42, M43)	158	MTS2-6122	168
SB30-HR	42	OVD30-TRM	109	ICM (M40, M41, M42, M43)	158	MTS2-6122-DB	168
V21-HA	42	OVD30-TRM	109	V21-HA	150	DISP-LUXPRODUCT (Luxor Guide)	23
DD30	54	WHB30	112	SB24-HA	150		
DS	54	WHB36	112	SB30-HA	150		
REP196	55	WHC30	112	SB33-HA	150		
UREP1.5X96X27	55	WHC36	112	SB36-HA	150		
F-SHELF-24	47	WHS30	113				
F-SHELF-30	47	WHS36	113				
F-SHELF-36	47	WHT30	113				
F-SHELF-42	47	WHT36	113				
WSQ30	31	REP196	119				
WSQ36	33	UREP1.5X96X27	119				
WSQ42	35						

## New Styles/Finishes:

### Luxor:

L05 - Harvest

\*Please note, 5 piece drawer front is now available in all Luxor finishes except for Espresso

## Price Codes:

\*Please note following updated price codes

Luxor	Luxor 5P	Country	Concord	Classic	Alvic	Vanguard	Surelle
L	P	R	A/B/C	E/F	H/I	V	SL

## Limited Lifetime Warranty:

Please see our updated Limited Lifetime Warranty located in the back of the back on page 179.

## White Glove Delivery Service:

White Glove Delivery is available with CNC truck orders only. Delivery service will cost \$200, which includes a job site delivery fee of \$125. This fee will cover up to the first 25 cabinets. Delivery will be to the ground floor only. Orders over 25 cabinets will incur an additional fee.

White Glove Delivery is also available for common carrier orders. These orders are priced per order, please contact your customer service representative for more information.

**Please note: In-Home Delivery will have an extended lead time of up to 5 days.**

## Discontinuations:

SLU30-V2418	
WS30 (Classic Collection)	
WS36 (Classic Collection)	
WS42 (Classic Collection)	
WHV30 (Concord Collection)	
WHV36 (Concord Collection)	



<b>Policies &amp; Procedures</b> .....	7
<b>Cabinet Code Key</b> .....	11
<b>Collections and Styles</b> .....	15
<b>Displays &amp; Samples</b> .....	21
<b>Luxor Collection</b>	
Door Styles & Specifications .....	26
Wall Cabinets.....	28
Base Cabinets.....	37
ADA Base Cabinets.....	41
Tall Cabinets.....	43
Accessories.....	47
Vanities & Medicine Cabinets.....	49
Fillers, Panels & Moldings.....	55
<b>Country Collection</b>	
Door Styles & Specifications.....	59
Wall Cabinets.....	62
Base Cabinets.....	68
Tall Cabinets.....	71
Vanities & Medicine Cabinets.....	75
Fillers, Panels & Moldings.....	76
<b>Concord Collection</b>	
Door Styles & Specifications.....	80
Wall Cabinets.....	84
Base Cabinets.....	95
Tall Cabinets.....	106
Accessories.....	110
Vanity Cabinets.....	116
Fillers, Panels & Moldings.....	119
Decorative Accessories.....	122
<b>Classic Collection</b>	
Door Styles & Specifications.....	128
Wall Cabinets.....	132
Base Cabinets.....	141
ADA Cabinets.....	150
Tall Cabinets.....	151
Accessories.....	154
Vanity Cabinets.....	155
Fillers, Panels & Moldings.....	157
<b>Vanguard Collection</b> .....	162
<b>Surelle Collection</b> .....	165
<b>Marble &amp; Granite Countertops</b> .....	167
<b>Modifications &amp; Upgrades</b> .....	171
<b>Cabinet Care</b> .....	177
<b>Warranty</b> .....	180



# **General Information**

---

Policies & Procedures



### Design & Pricing Software

CNC Cabinetry provides a product catalog compatible with 2020 Design & ProKitchen Design Software. These are downloadable via our website at [www.cnccabinetry.com](http://www.cnccabinetry.com). CNC Cabinetry does not take responsibility for discrepancies between design software and CNC Cabinetry pricing.

### Terms & Conditions Standards

All prices and specifications are subject to change. Payments may be made by ACH, Check, Debit/Credit Card, or Account Credit. To apply for credit, visit <http://cnccabinetry.com/creditapp/>.

### Placing Orders

Placing orders can be done through our CABNET program, using the excel order form found on our website, ProKitchen or 2020 SKU lists. Orders will not be accepted over the phone. It is the dealers responsibility to review all quotes for accuracy and confirm before any order goes into production. If you would like the order to ship complete, please note that on quote and approval. If not indicated, order will ship with the available cabinets.

Once an order is placed and sent into production, NO CHANGES can be made. Canceled items/orders after approval, will have a 20% restocking fee (if the order has not yet been shipped). If the cabinets have been shipped or are already palletized, customer is responsible for freight costs back to CNC Cabinetry, if applicable, and a 25% restocking fee. Modified cabinets cannot be cancelled or returned. Unassembled cabinets that have been assembled by the customer cannot be returned. To cancel items from an order, please reach out to your customer service representative.

### Delivery Options

- Pick-up.
- CNC truck.
- White-glove delivery available for an additional fee
- Common Carrier-Scheduled by CNC Cabinetry
  - If you have a preferred carrier please request it.
  - Please note that a per pallet fee will be applied to the order
- Common Carrier-Scheduled by Customer
  - If you need a residential lifetgate, please make note of this with your carrier
  - Please note that a per pallet fee will be applied to the order

Orders are automatically scheduled for the next available delivery day to your area unless specified otherwise.

A rescheduled delivery may result in a 20% fee.

Missed pick-up appointments after 48 hours will incur storage fees. After 30 days, orders will be returned to stock and a restocking fee of 25% will be charged.

### Returns

There will be a 25% restocking fee for any returned cabinet. Shipping/Delivery charges will not be credited for any returns. It is the customer's responsibility to pay for shipping on return items. We will not credit any assembled cabinets by the customer, installed cabinets, or cabinets without their original box. Non-stock cabinets, parts including doors and drawers, custom modifications, wood hoods and countertops (post form and self-edge) are not returnable.

Once merchandise is received and inspected at our warehouse, a credit will be issued to your account for the returned merchandise less the 25% restocking fee. Please allow CNC 7-14 business days to process your credit. CNC will not accept returns after 30 days.

### Damages

If a cabinet or countertop arrives damaged, please contact customer service and a replacement order will be issued. Pictures of the damages and your CNC sales order or P.O. number must be provided. If you do not have pictures of the damages, we will send the replacement/s for the full price and credit will be applied once we receive the pictures. Do not install damaged cabinets. CNC will not credit damaged cabinets that have been installed. CNC will not credit damaged cabinets after 30 days of delivery.

### Lead times

Cut-off time is 5:00pm Eastern time (M-TH) 3:00 pm Eastern time (Friday) for assembled and unassembled cabinets in order to meet standard lead times. Extended lead times will occur for orders containing 100 cabinets or more. An extended lead time will also occur for any post-form or square-edge countertops with cut outs, cut-downs, or assembled miters and for stocked countertops over 12 pieces.

### Shipping

CNC offers delivery service with our own fleet of trucks that will deliver within the local New Jersey tri-state area and areas within a 3-hour driving radius of our Florida facility for a minimum charge. Local deliveries will be assessed for pricing based on gas rates. Rates will be reassessed every 90 days. Deliveries are curbside only. Jobsite deliveries are available upon request for a minimal fee. White-glove delivery service is available upon request. Please contact your Customer Service representative for pricing and details.

Outside of our flagship facility areas, we ship via Common Carrier, where the best available pallet rate will be chosen. If a customer sends their own carrier to pick-up cabinets, CNC will not be responsible for filing damage claims. Please note that a per pallet fee will be applied to the order.

Floor load truckloads will be charged \$250.00 per truckload.

Refused orders or missed pick-ups will be charged a fee to reschedule the delivery or pick-up.

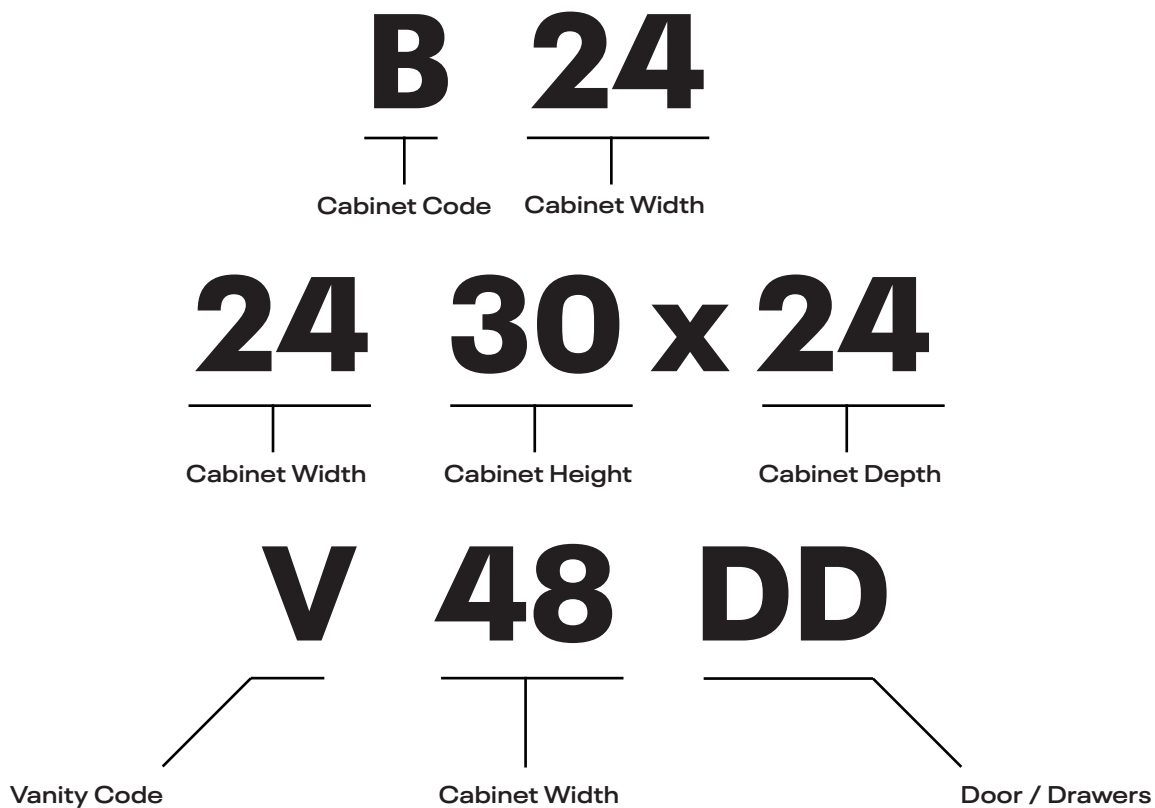


# **Cabinet Code Key**

---

## Cabinet Code Key

---



**When looking at product codes it is important to note each element within the code in order to ensure you are ordering the correct cabinet piece. For example, the codes displayed above would translate to:**

Base Cabinet; 24" Wide x 34½" High

Wall Cabinet; 24" Wide x 30" High x 24" Deep

Vanity Cabinet; 48" Wide x 21" Deep; Double Drawers

**Additionally, it is important to note the following when selecting and ordering cabinets:**

- Standard Wall cabinets are 12" deep
- Refrigerator cabinets are 24" deep
- Standard Base cabinets are 34½" high and 24" deep
- Add door thickness for total cabinet depth
- Vanity Cabinets are 32½" high for Country Collection; 34½" high for Luxor, Concord and Classic Collection
- Standard Vanity Cabinets are 21" deep
- Handicap Accessible/Removable cabinets are 32.5" tall and are indicated with 'HA' or 'HR' at the end of a product code

## Wall Cabinets

3030 - Wall Cabinet  
CW2430 - Corner Wall Cabinet  
BLW 27/3030 - Blind Wall Cabinet  
WSQ2430 - Square Corner Wall Cabinet  
WEC1230 - Wall End Cabinet  
PR - Plate Rack  
WR - Wine Rack  
WSP - Wall Spice Rack  
MW3030 - Microwave Cabinet

## Base Cabinets

B30 - Base Cabinet  
DB12 - Drawer Base Cabinet  
BLB36/39 - Blind Base Cabinet  
CSF/CSFFL - Diagonal Corner Sink Front/Floor  
CSB36 - Corner Sink Base  
CAR33 - Lazy Susan Corner Base Cabinet  
SB24 - Sink Base  
SB30-FS - Farm Sink Base  
BWBK15 - Waste Basket Cabinet  
BTC2412 - Angle Base End Cabinet  
BEC24 - Base End Cabinet  
BSP9 - Base Spice Rack  
B9-HA - Base; Handicap Accessible  
SB36-HR - Base; Handicap Removable

## Tall Cabinets

UC2424x84 - Utility Cabinet  
OV3384 - Oven Cabinet

## Accessories

POS - Pullout Shelf  
WD - Top of Counter Cabinet  
WHA/P/V/WACC - Wood Hoods  
F-SHELF - Floating Shelf

## Vanity Cabinets

V2418 - Vanity Sink Base  
V30D - 1 Door and 2 Drawer Vanity Sink Base  
V482DD - 2 Door and 4 Drawer Vanity Sink Base  
VDB15 - Vanity Drawer Base  
VBD30 - Bottom Drawer Vanity  
VDD30 - Double Drawer Vanity  
VOB24 - Open Bottom Vanity  
MC1830 - Medicine Cabinet  
DD30 - Desk Drawer



# **Collections and Styles**

---



# Luxor Collection

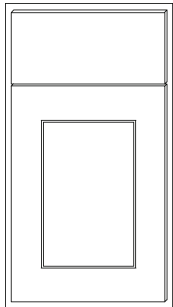
The Luxor Collection is our partial overlay cabinet constructed from all plywood. Cabinets are equipped with  $\frac{3}{4}$ " adjustable shelves and adjustable soft close hinges. All drawer boxes are made with dovetail construction and come with a slab drawer front and soft-close undermount glides. Five piece drawer front is available as an upgrade.

\*Please note, cabinet door and box dimensions may vary by  $\frac{1}{8}$ "

**Price Code: L**  
Luxor

**Price Code: P**  
Luxor 5 Panel

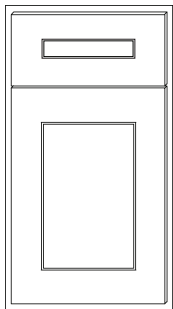
**Luxor**



- L02 - Smoky Grey (Birch/Hardwood door)
- L03 - Misty Grey (MDF door)
- L05 - Harvest (Hardwood door)
- L10 - White (MDF door)
- L11 - Espresso (Birch/Hardwood door)

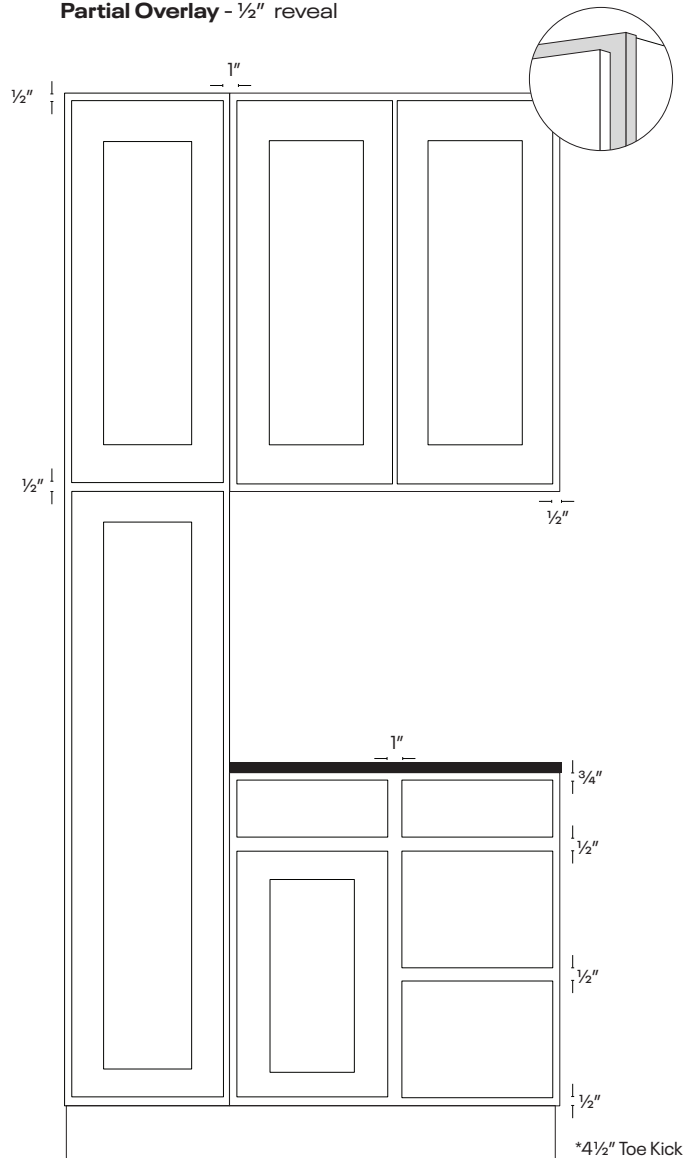
A partial overlay,  $\frac{1}{2}$ " reveal,  $2\frac{1}{2}$ " wide shaker style door with a flat center panel, Mortise and Tenon construction, and a slab drawer front.

**Luxor 5P**



\*not available for the Luxor Espresso finish

**Partial Overlay -  $\frac{1}{2}$ " reveal**



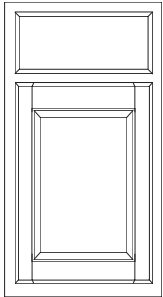
# Country Collection

The Country Collection is our standard overlay cabinet constructed from all plywood. The wall and base cabinets are equipped with 3/4" plywood adjustable shelves and adjustable hinges. Drawer boxes are made with plywood and have side mount glides.

\*Please note, cabinet door and box dimensions may vary by 1/8"

**Price Code: R**  
Oak

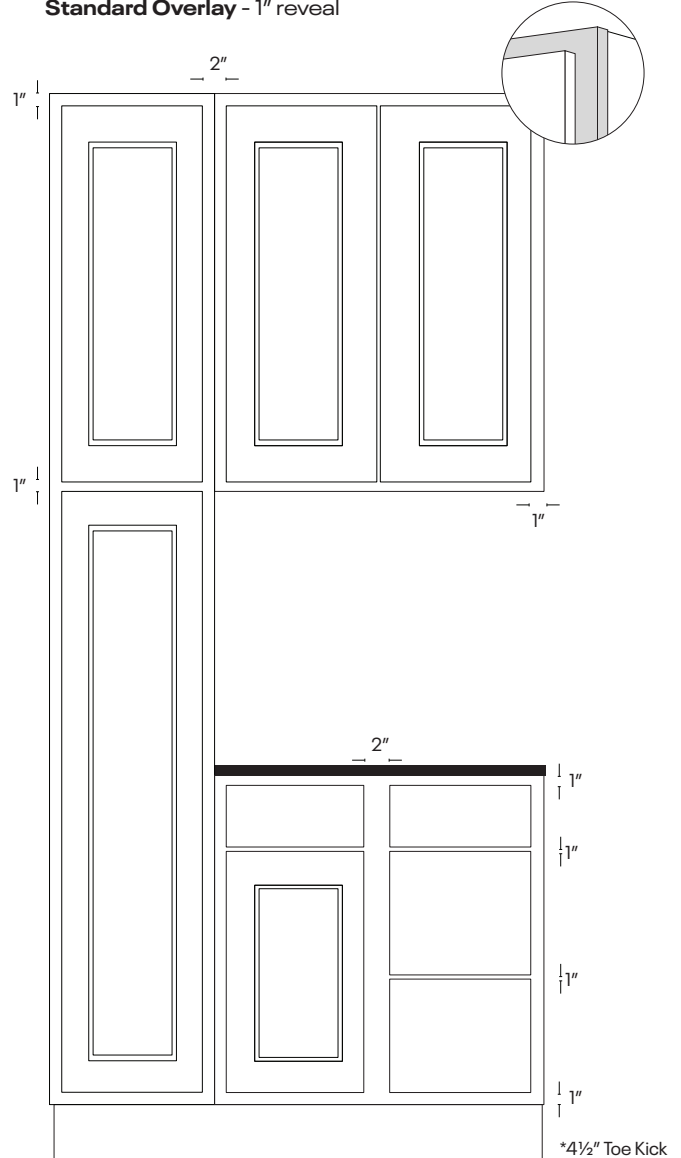
## Country Oak



### C4 - Oak

A standard overlay, 1" reveal, 5 piece solid wood with a raised MDF veneer center panel. Mortise and Tenon construction, slab drawer front. Solid wood in a Honey finish.

### Standard Overlay - 1" reveal





# Classic Collection

The Classic series is composed of a frame-less box construction, with double white wall metal drawer with 1/2" plywood bottom. that are outfitted with full extension, under-mount drawer glides, as well as the soft-close feature. The adjustable soft close hinges, 3/4" adjustable full-depth plywood shelves, and dowel and glue-clamped assembly construction create a solid, durable framework for your cabinetry.

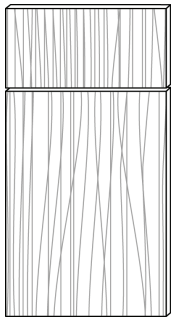
\*Please note, cabinet door and box dimensions may vary by 1/8"

**Price Code: E**  
Matrix

**Price Code: F**  
Milano  
Versailles

**Price Code: H/I**  
Alvic - Luxe  
Alvic- Zenit  
Alvic- Synchron

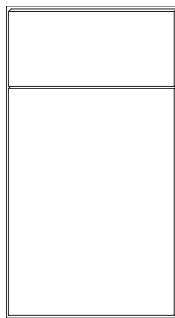
## Matrix



MW18 - Silver  
MW19 - Greystone

A full overlay low pressure laminate flat panel MDF door, with a deep textures finish.

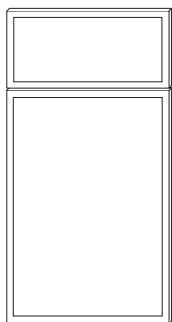
## Milano



MW40 - Polar White  
MW41 - Fossil Grey  
MW42 - Sand  
MW43 - Seaside

A full overlay slab door made from a MDF core, wrapped in PET with a matching edgeband.

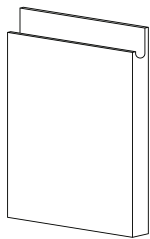
## Versailles



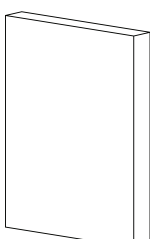
VW10 - White

A full overlay 5 piece solid wood, with solid MDF veneer flat center panel. The Versailles door features a 3/4" frame.

## Alvic



**Finger-Pull**  
18mm / 3/4"



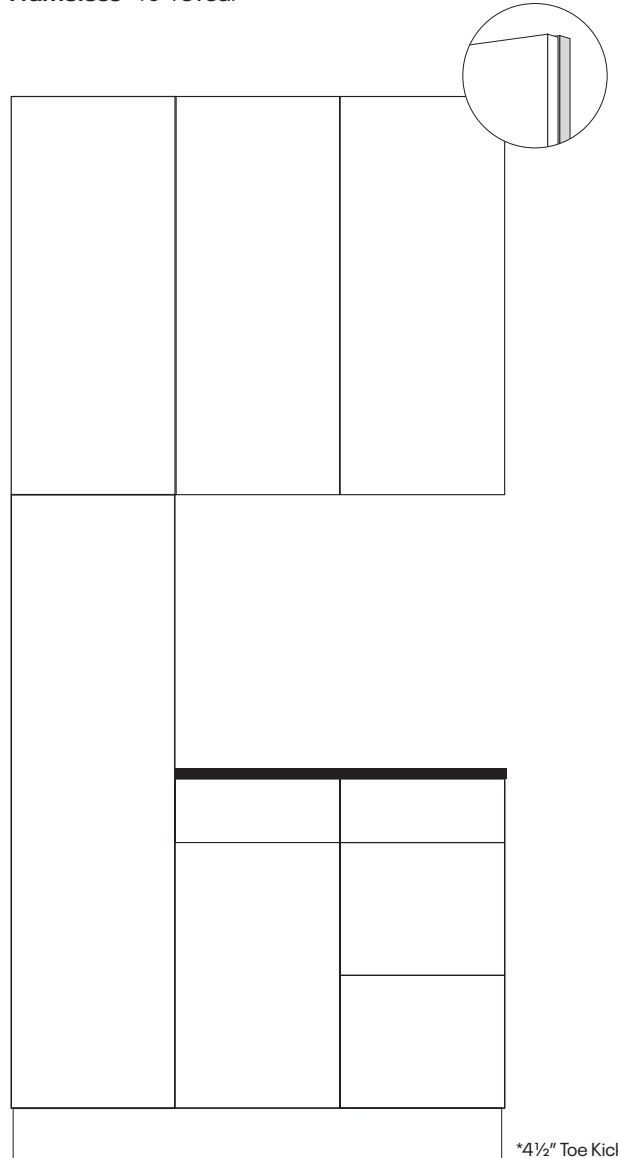
**Slab**  
18mm / 3/4"

**\*Full color list available on website**

Alvic doors come with a color matching soft postforming edge band. Finger pull and slab doors are 18mm thick.

\*Alvic Doors come standard equipped with Blum hinges

## Frameless - 1/8" reveal



\*4 1/2" Toe Kick



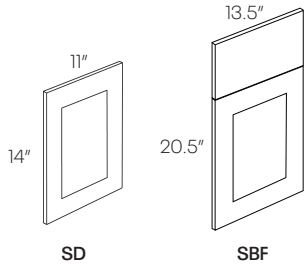
# **Displays and Samples**

---

## Displays & Samples

Item Number	Luxor/Country	Classic	Concord
-------------	---------------	---------	---------

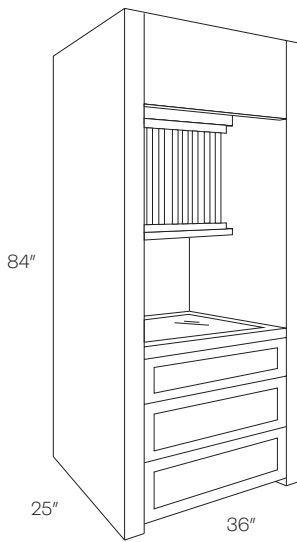
### Door Samples



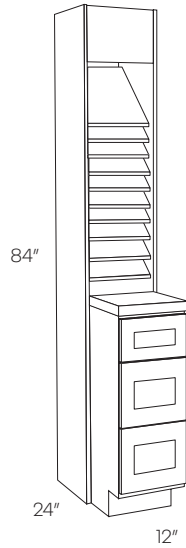
<b>SDT1X14</b>	18	18	18
<b>SBF13.5</b>	25	25	25

• Net Price

### Showroom Displays



DISP-CENTER

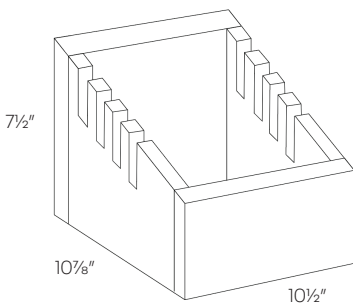


DISP-MERCH

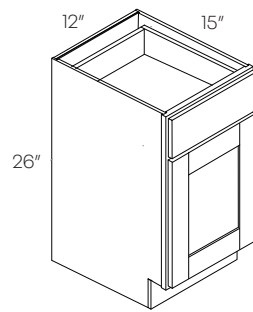
<b>B12M (Mini Base)*</b>	95	130	132
<b>DISP-CENTER</b>	1400	1400	1400
<b>DISP-STAND</b>	222	222	222
<b>DISP-MLDG</b>	47	47	47
<b>DISP-MERCH</b>	330	330	330

\* Available in all styles in White

• Net Price



DISP-STAND



B12M

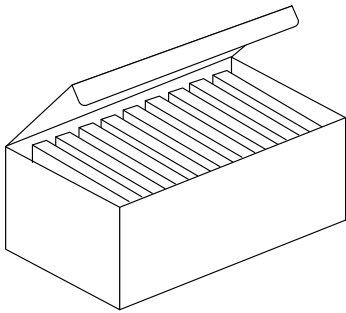
Item Number	Luxor/Country	Classic	Concord
-------------	---------------	---------	---------

**Literature**



DISP-SPEC (Spec Book)	0	0	0
DISP-CAT (Catalog)	0	0	0
DISP-TRIFOLD (Door Guide)	0	0	0
DISP-CNTP (Countertops)	0	0	0
DISP-LUXPRODUCT (Luxor Guide)	0	0	0
DISP-BINDKIT (Welcome Kit)	0	0	0

**Swatches**



DISP-COLORBLOCKS (all current door finish samples)	47	47	47
DISP-P-COLORBLOCKS (all custom paint samples)	50	50	50
DISP-PFCHIPS (countertop samples)	-	-	-
DISP-GT6x6-SET (all granite colors)	50	50	50
MT2-6X6SP (samples)	13	13	13
MT2-CB6X6 (marble samples)	-	-	-
MT2-6X6SP	10	10	10
ALL - CS 8x8 (Luxe)	N/A	18	N/A
ALS - CS 8x8 (Synchron)	N/A	18	N/A
ALZ - CS 8x8 (Zenit)	N/A	18	N/A

• Net Price (Price includes shipping)

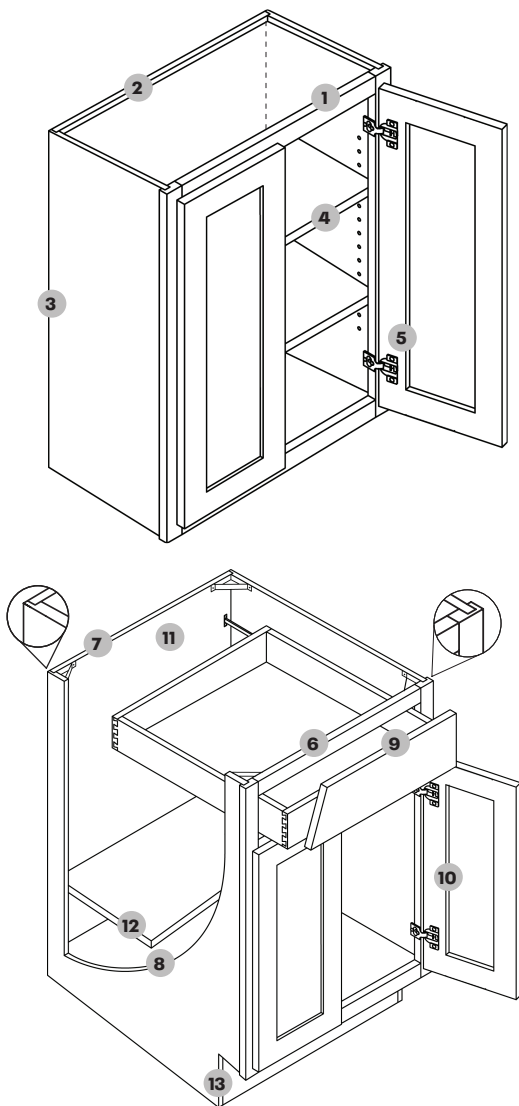




# **Cabinet & Door Information**

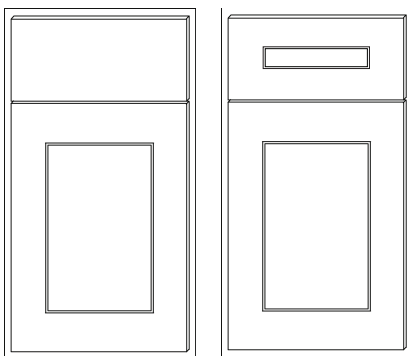
---

Luxor Collection



- 1 Frame** — 3/4" thick Solid Wood, 1 1/2" wide, kiln-dried solid hardwood. Assembled with glue and nails, under clamp pressure, which ensures squareness.
- 2 Back panel** — Made of 1/2" plywood. Dado joints stapled into cabinet sides, glued and screwed into top and bottom.
- 3 End panel** — Top and bottom 1/2" plywood substrate, with light maple woodgrain laminate interior. Matching exterior.
- 4 Shelves** — 3/4" thick, plywood; fully adjustable.
- 5 Hinges** — Heavy duty steel concealed hinge, adjustable with soft-close mechanism.  
\*36" and 42" Wall cabinets will have 3 hinges
- 6 Base frame** — 3/4" thick Solid Wood, 1 1/2" wide, kiln-dried solid hardwood. Assembled with glue and nails, under clamp pressure, which ensures squareness.
- 7 Back panel** — Made of 1/2" plywood. Dado joints stapled into cabinet sides, glued and screwed into top and bottom.
- 8 End panel** — 1/2" plywood substrate, with light maple woodgrain laminate interior. Matching exterior.
- 9 Drawers** — 5/8" solid wood Dovetail sides 3/8" thick bottom
- 10 Hinges** — Heavy duty steel concealed hinge, adjustable with soft-close mechanism.
- 11 Glides** — 3/4" extension, high quality soft-close under mounted glides.
- 12 Shelves** — 3/4" thick, plywood; fully adjustable. (10" deep)
- 13 Toe kick** — 4 1/2" Toe kick with 3" inset on all standard base and vanity cabinets.

## Luxor



\*5 Piece Drawer front

Finish	Price Code (Slab)	Price Code (5 Panel)
<b>L02 - Smoky Grey (stain)</b> (Birch/Hardwood door)	L	P
<b>L03-Misty Grey (paint)</b> (MDF door)	L	P
<b>L05-Harvest (stain)</b> (Hardwood door)	L	P
<b>L10-White (paint)</b> (MDF door)	L	P
<b>L11-Espresso (stain)</b> (Birch/Hardwood door)	L	N/A

A partial 1/2" reveal, 2 1/2" wide shaker style MDF door with a flat center panel, Mortise and Tenon construction, slab drawer front.

\*Luxor Cabinets cannot be extended

\*Matching finished interiors are not available in the Luxor Collection

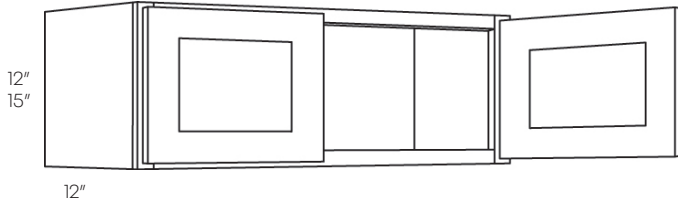
\*Glass doors are available for all wall cabinets

# **Specifications and Prices**

---

Luxor Collection

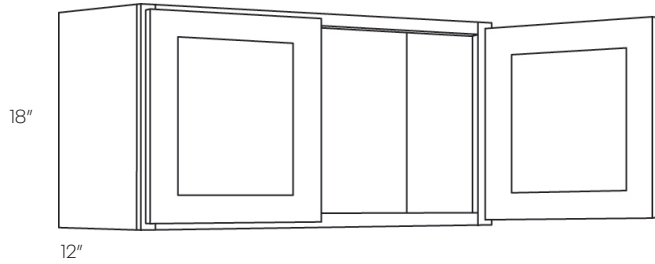
12" - 15" High Wall Cabinet



Item Number	L
3012	338
3312	351
3612	381
3612X24	508
2415	334
3015	344
3315	359
3615	381

• No Shelf

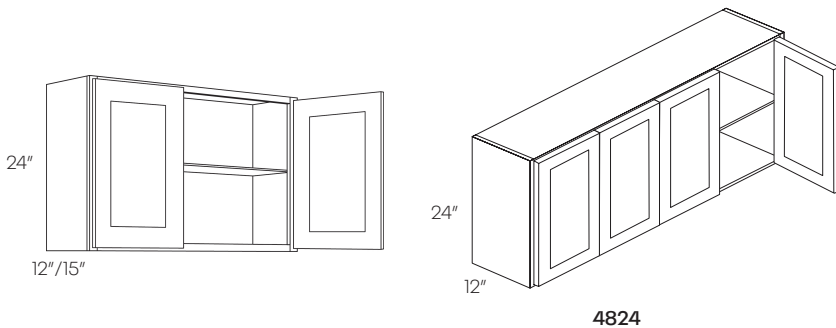
18" High Wall Cabinet



2118 (1 Door)	317
2418	334
2718	341
3018	349
3318	378
3618	433
3918	485

• No Shelf

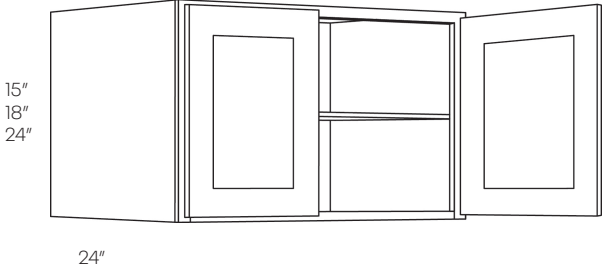
24" High Wall Cabinet



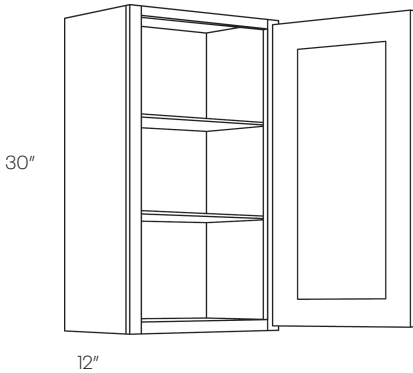
1824 (1 Door)	356
2424	458
2724	470
3024	480
3024X15*	549
3324	511
3624	549
3624X15*	576
3924	600
4224	653
4824 (4 Door)	729

\* Available in L10 only

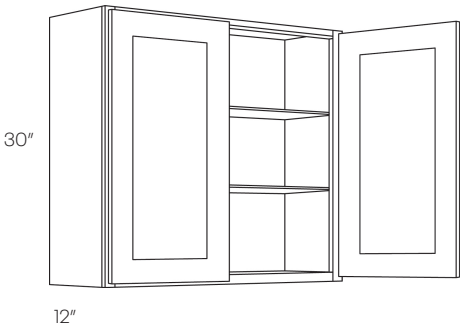
	Item Number	L
<b>24" Deep Wall Cabinet</b>	3015X24	462
	3018X24	514
	3024X24	641
	3318X24	567
	3615X24	514
	3618X24	579
	3324X24	691
	3624X24	741
	3924x24	830



<b>30" High 1 Door Wall Cabinet</b>	930	272
	1230	303
	1530	327
	1830	368
	2130	440



<b>30" High 2 Door Wall Cabinet</b>	2430	469
	2730	516
	3030	529
	3030X15*	634
	3330	575
	3630	612
	3930	660
	4230	702

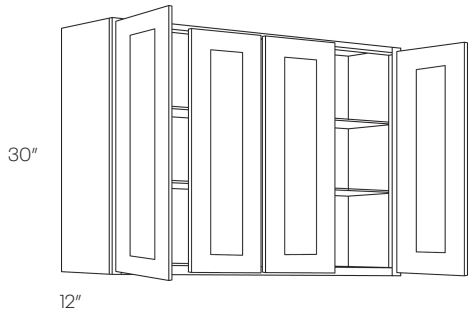


\* Available in L10 only

Item Number	L
-------------	---

30" High 4 Door Wall Cabinet

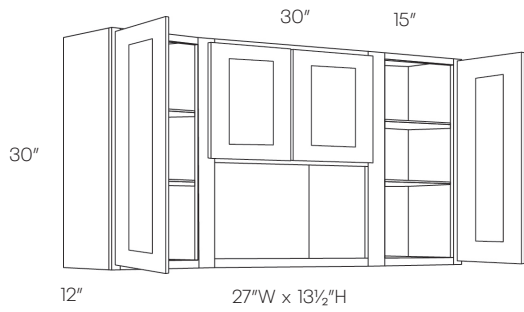
4830	794
5430	888



30" High Open Wall Cabinet

6030-O	907
--------	-----

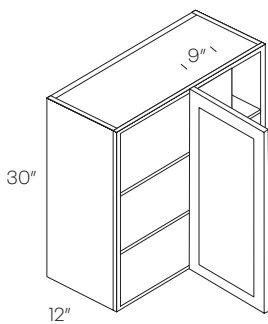
- Opening Natural Interior Finish



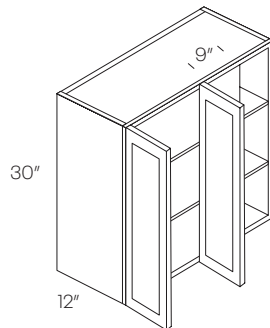
30" High Blind Wall Cabinet

BLW27/3030	667
BLW36/3930	797
BLW39/4230	871
BLW42/4530	956

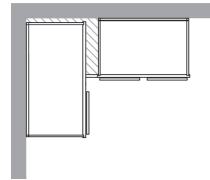
- Reversible Left or Right
- Can be installed at actual size



BLW27/BLW36



BLW39/BLW42



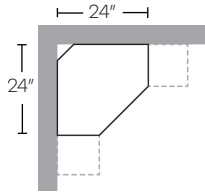
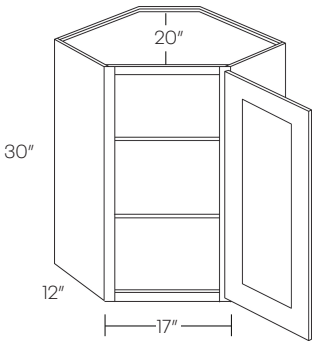
Cabinet	Min. Pull	Max. Pull	Actual Size	Door(s)	Door Opening
BLW27/3030	27"	30"	27"	1230	9" X 27"
BLW36/3930	36"	39"	36"	2130	18" X 27"
BLW39/4230	39"	42"	39"	2430	21" X 27"
BLW42/4530	42"	45"	42"	2730	24" X 27"

Item Number	L
-------------	---

**30" High Diagonal Corner Wall Cabinet**

<b>CW2430</b>	683
---------------	-----

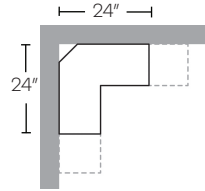
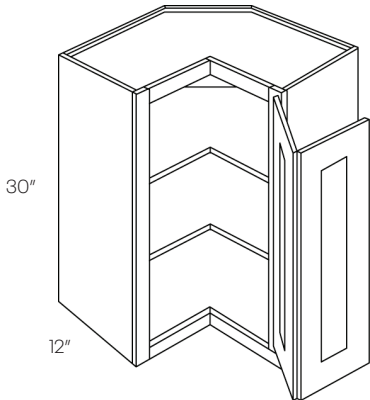
• Requires 24"x24" wall space



**30" High Corner Wall Cabinet**

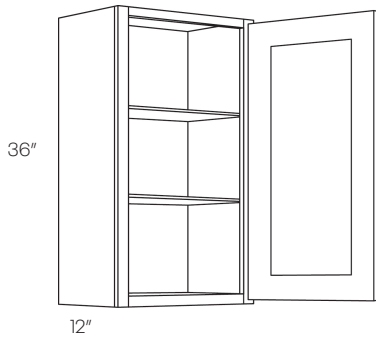
<b>WSQ2430</b>	786
----------------	-----

• Requires 24" X 24" wall space  
• Pie is 12" X 12"



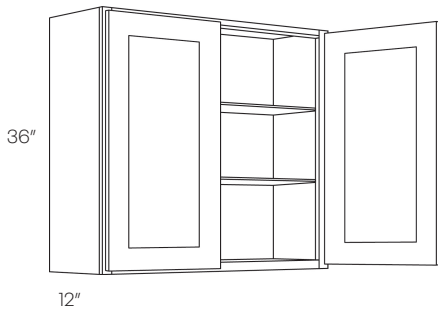


36" High 1 Door Wall Cabinet



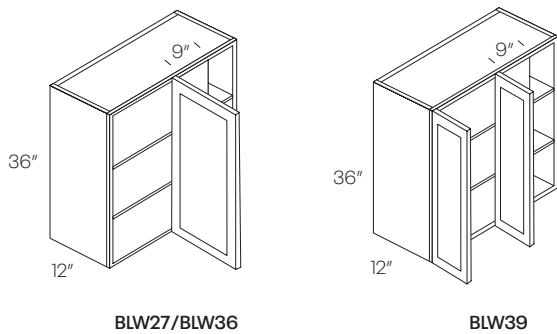
Item Number	L
936	310
1236	344
1536	371
1836	418
2136	499

36" High 2 Door Wall Cabinet



2436	535
2736	586
3036	604
3336	657
3636	698
4236	797

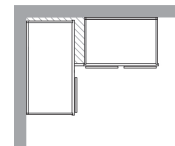
36" High Blind Wall Cabinet



BLW27/3036	759
BLW36/3936	911
BLW39/4236	995

- Reversible Left or Right
- Can be installed at actual size

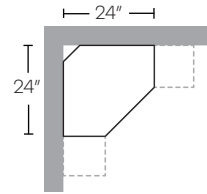
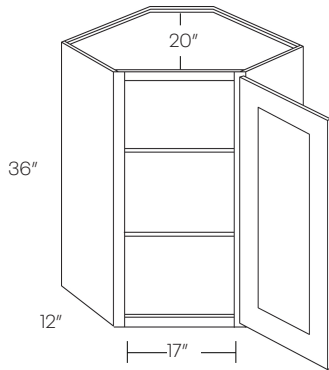
Cabinet	Min. Pull	Max. Pull	Actual Size	Door(s)	Door Opening
BLW27/3036	27"	30"	27"	1236	9" X 33"
BLW36/3936	36"	39"	36"	2136	18" X 33"
BLW39/4236	39"	42"	39"	2436	21" X 33"



36" High Diagonal Corner Wall Cabinet

CW2436 780

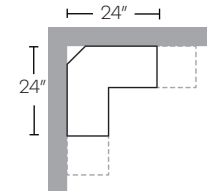
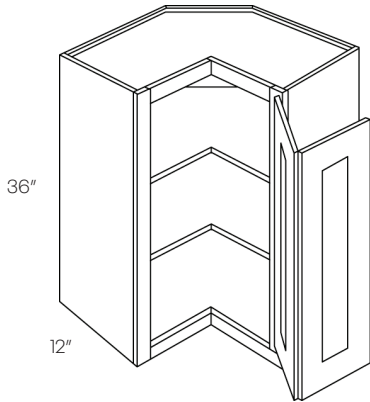
- Requires 24"x24" wall space



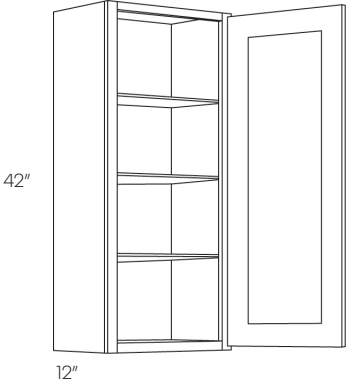
36" High Corner Wall Cabinet

WSQ2436 827

- Requires 24" X 24" wall space
- Pie is 12" X 12"



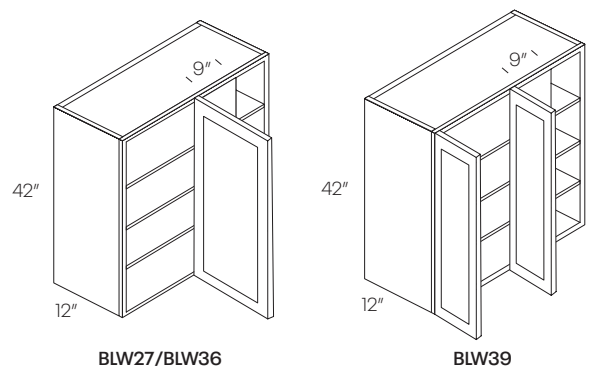
	Item Number	L
<b>42" High 1 Door Wall Cabinet</b>	942	366
	1242	396
	1542	438
	1842	487
	2142	580



<b>42" High 2 Door Wall Cabinet</b>	2442	622
	2742	685
	3042	710
	3342	763
	3642	810
	4242	940

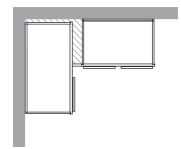


<b>42" High Blind Wall Cabinet</b>	BLW27/3042	861
	BLW36/3942	1035
	BLW39/4242	1132



- Reversible Left or Right
- Can be installed at actual size

Cabinet	Min. Pull	Max. Pull	Actual Size	Door(s)	Door Opening
BLW27/3042	27"	30"	27"	1242	9" X 39"
BLW36/3942	36"	39"	36"	2142	18" X 39"
BLW39/4242	39"	42"	39"	2442	21" X 39"

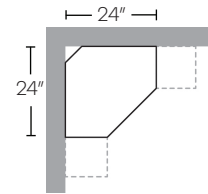
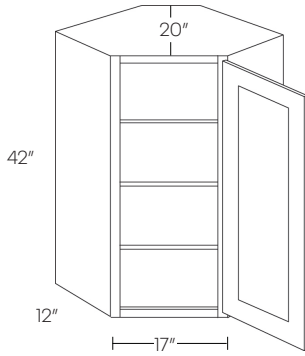


Item Number	L
-------------	---

**42" High Diagonal Corner Wall Cabinet**

<b>CW2442</b>	888
---------------	-----

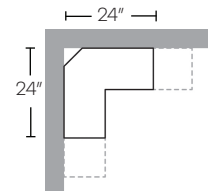
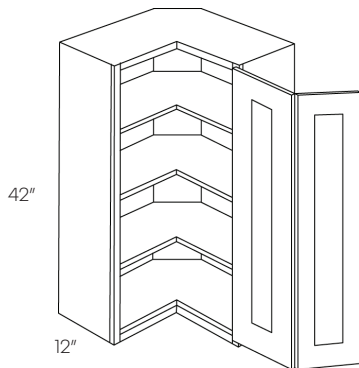
- Requires 24"x24" wall space



**42" High Corner Wall Cabinet**

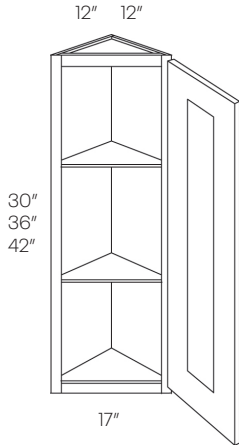
<b>WSQ2442</b>	1026
----------------	------

- Requires 24" X 24"
- Pie is 12" X 12"



Item Number	L
-------------	---

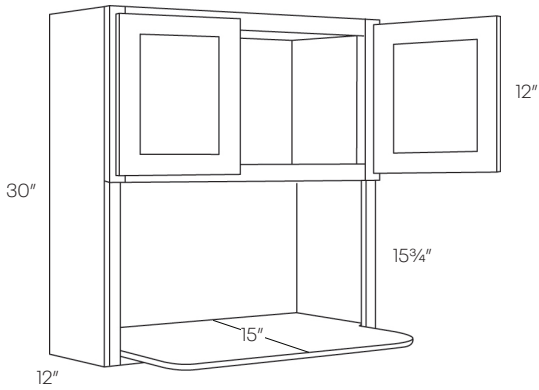
Single Door Wall End Cabinet



WEC1230	319
WEC1236	363
WEC1242	404

• 42" has 3 shelves

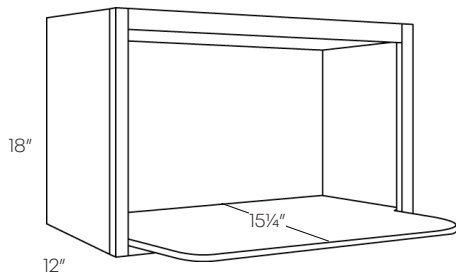
Microwave Cabinet



MW3030	656
--------	-----

- Opening 27" x 15<sup>3</sup>/<sub>4</sub>"
- Shelf 15" deep
- Shelf ships loose
- Depth of the shelf may be cut-down
- Finished Interior mid-2023

Microwave Cabinet



MW3018	460
--------	-----

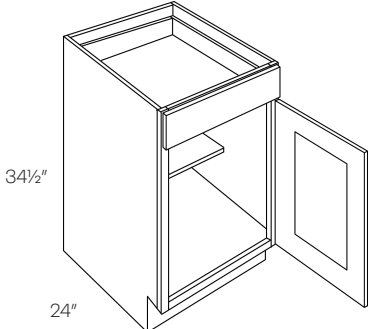
- Opening 27" X 14<sup>1</sup>/<sub>4</sub>"
- Shelf ships loose
- Depth of the shelf may be cut-down
- Finished Interior mid-2023

Item Number	L	P
-------------	---	---

---

**1 Door Base Cabinet**

<b>B9</b>	396	417
<b>B9-FH</b>	396	N/A
<b>B12</b>	456	479
<b>B15</b>	477	501
<b>B18</b>	501	527
<b>B21</b>	571	599
<b>B21-FH*</b>	571	N/A



- 10" Deep Shelf

\*B21-FH will have a larger reveal on the bottom and will not align with other base cabinets

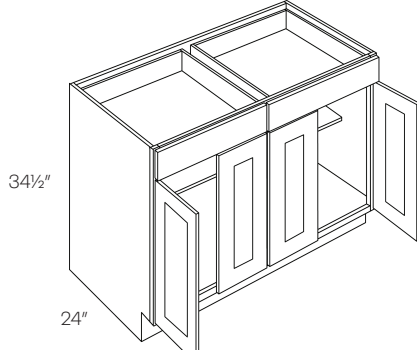
Item Number	L	P
-------------	---	---

---

**2 Drawer 4 Door Base Cabinet**

<b>B48</b>	1070	1178
------------	------	------

- 10" Deep Shelf



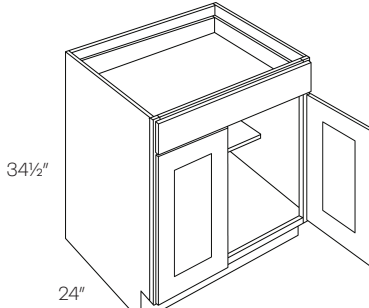
Item Number	L	P
-------------	---	---

---

**1 Drawer 2 Door Base Cabinet**

<b>B24</b>	639	671
<b>B27</b>	706	742

- 10" Deep Shelf



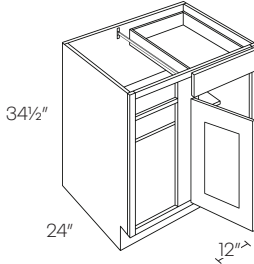
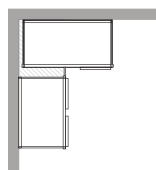
Item Number	L	P
-------------	---	---

---

**Blind Base Cabinet**

<b>BLB36/39</b>	814	855
<b>BLB39/42</b>	840	882
<b>BLB42/45</b>	898	942
<b>BLB45/48</b>	961	1010
<b>BLB48/51</b>	1035	1087

- Reversible Left or Right
- Must be pulled to the minimum position
- \* Left blind shown

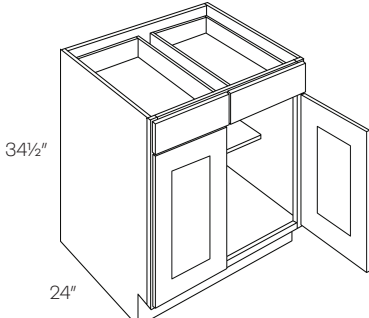
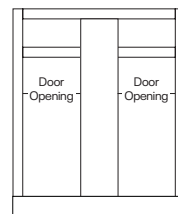
Item Number	L	P
-------------	---	---

---

**2 Drawer 2 Door Base Cabinet**

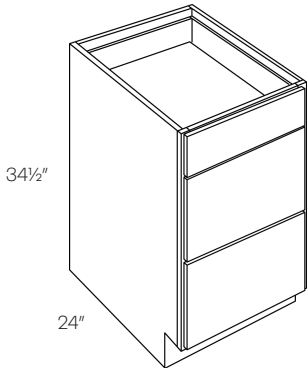
<b>B30</b>	769	846
<b>B33</b>	821	903
<b>B36</b>	861	949
<b>B39</b>	916	1008
<b>B42</b>	965	1062

- 10" Deep Shelf

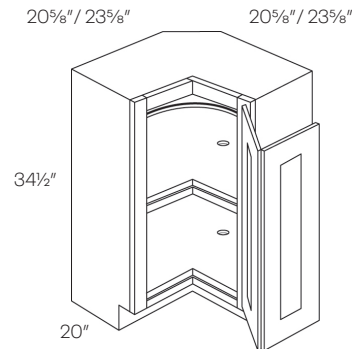
Cabinet	Min. Pull	Max. Pull	Actual Size	Door	Door Opening
BLB36/39	36"	39"	27"	B9	6"
BLB39/42	39"	42"	33"	B12	9"
BLB42/45	42"	45"	39"	B15	12"
BLB45/48	45"	48"	45"	B18	15"
BLB48/51	48"	51"	48"	B39	18"

3 Drawer Base Cabinet



Item Number	L	P
DB12	705	810
DB15	738	850
DB18	761	876
DB21	790	908
DB24	817	940
DB27	839	965
DB30	893	1027
DB36	965	1110

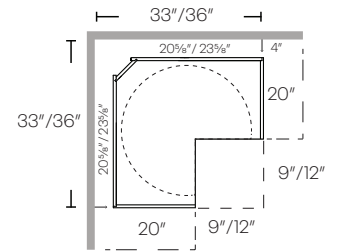
Lazy Susan Corner Base Cabinet



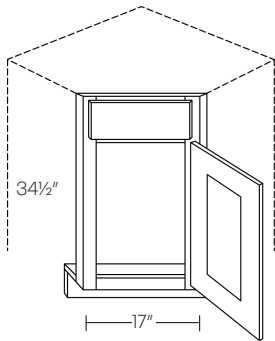
CAR33R	1322	1322
CAR33L	1322	1322
CAR36R	1322	1322
CAR36L	1322	1322

Item Number	L	P
CAR33R	1322	1322
CAR33L	1322	1322
CAR36R	1322	1322
CAR36L	1322	1322

- Requires 33" x 33" / 36" x 36" wall space
- Pie cut for 33" is 9" and for 36" is 12"
- Wooden Lazy Susan

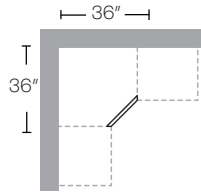


Diagonal Corner Sink Front

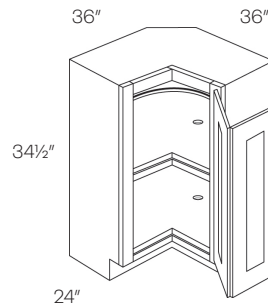


CSF36R*	327	361
CSF36L*	327	361
CSFFL36 (Floor)	153	153

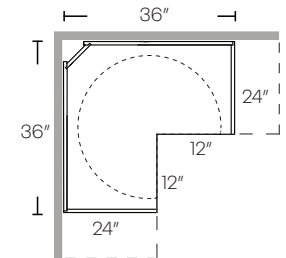
- \*Requires 36" x 36" wall space.
- \*Requires Floor (sold separately)



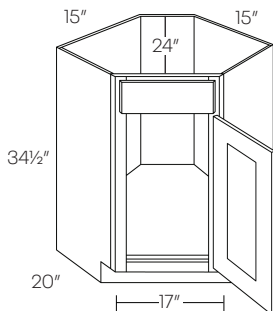
Lazy Susan



LS36R	1322	1322
LS36L	1322	1322

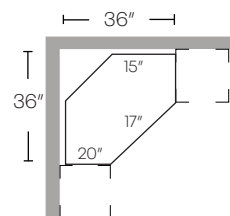


Diagonal Corner Sink Base Cabinet

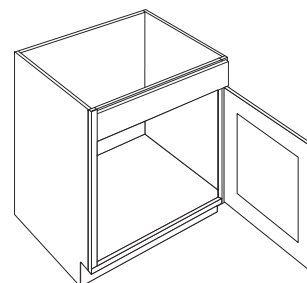


CSB36R	1234	1297
CSB36L	1234	1297

- Requires 36" x 36" wall space



1 Drawer Front 1 Door Sink Base



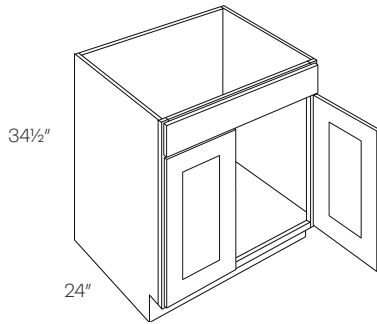
SB21DL	571	599
SB21DR	571	599

Item Number	L	P
-------------	---	---

Item Number	L	P
-------------	---	---

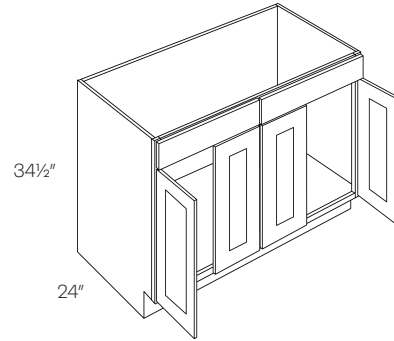
**1 Drawer Front 2 Door Sink Base**

<b>SB24</b>	602	634
<b>SB27</b>	647	681



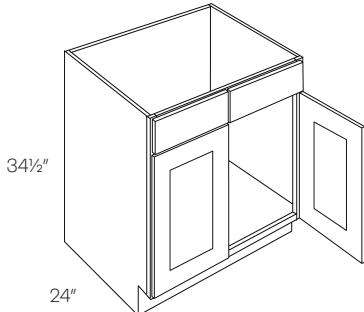
**2 Drawer 4 Door Sink Base Cabinet**

<b>SB48</b>	876	964
-------------	-----	-----



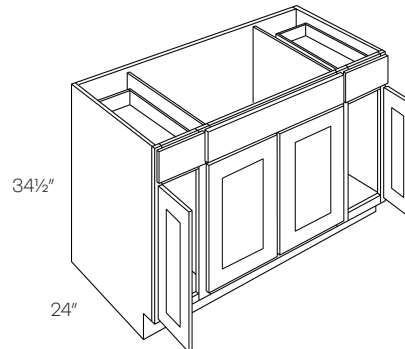
**2 Drawer Front 2 Door Sink Base**

<b>SB30</b>	685	754
<b>SB33</b>	726	801
<b>SB36</b>	744	818
<b>SB39</b>	762	839
<b>SB42</b>	779	856



**Combination Sink Base Cabinet**

<b>SB54</b>	977	1075
<b>SB60</b>	1064	1171

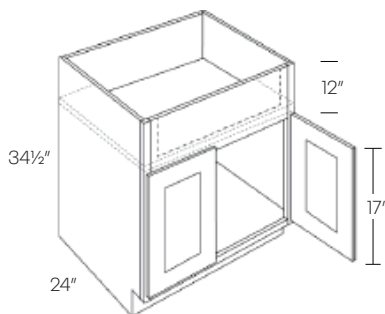


	Door	Sink	Door
SB54	12"	30"	12"
SB60	15"	30"	15"

**Double Door Farm Sink Base Cabinet**

<b>SB36 - FS</b>	685	685
------------------	-----	-----

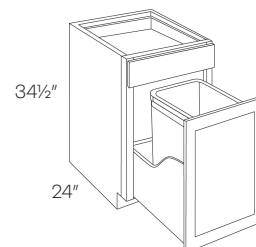
- Max trimmable 33" X 10"
- Trimming to be done in field
- Has a fixed platform



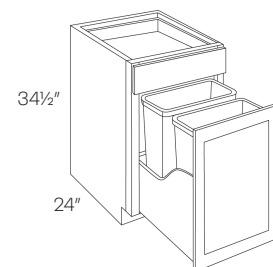
**Waste Basket Cabinet**

<b>BWBK15 (1-B)</b>	915	961
<b>BWBK18 (2-B)</b>	1013	1063

- Includes 35qt. waste basket (BK18 gets 2) and soft-close glides



BWBK15



BWBK18

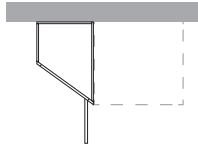
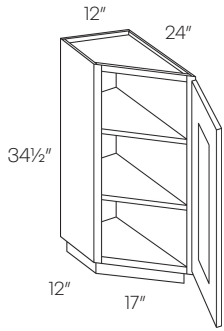


Item Number	L	P
-------------	---	---

**Angle Base End Cabinet**

<b>BTC2412</b>	452	452
----------------	-----	-----

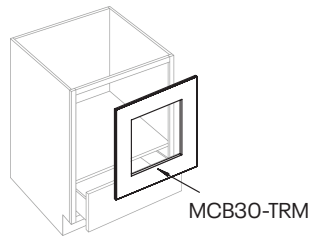
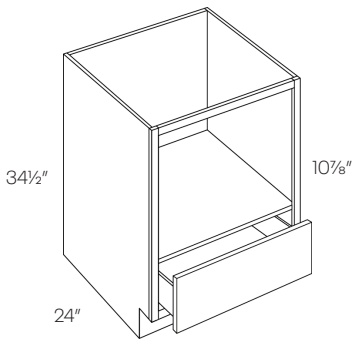
- Reversible
- Loose toe kick
- Hinged on 24"



**Microwave Base Cabinet**

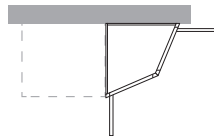
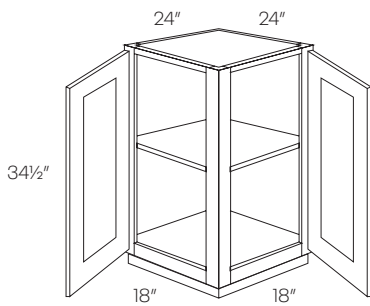
<b>MCB30</b>	685	720
<b>MCB30-TRM</b>	300	300

- MC front opening is 27"x16"
- Finished interior



**Base End Cabinet**

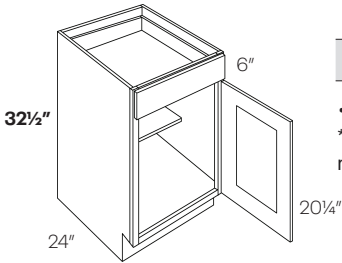
<b>BEC24</b>	563	563
--------------	-----	-----



Item Number	L	P
-------------	---	---

**1 Door Base Cabinet**

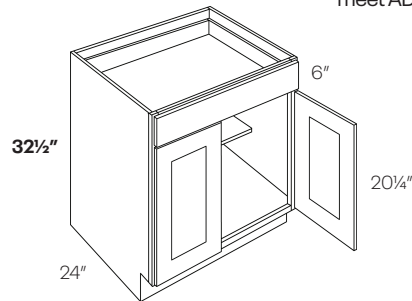
<b>B9-HA</b>	396	417
<b>B12-HA</b>	456	479
<b>B15-HA</b>	477	501
<b>B18-HA</b>	501	527
<b>B21-HA</b>	571	599



- 10" Deep Shelf
- \* Please note: ADA cabinets may not meet ADA requirements

**1 Drawer 2 Door Base Cabinet**

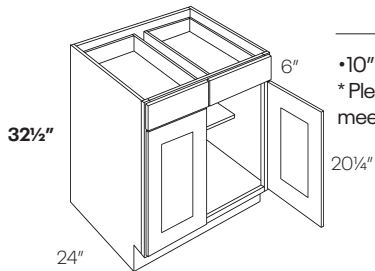
<b>B24-HA</b>	639	671
<b>B27-HA</b>	706	742



- 10" Deep Shelf
- \* Please note: ADA cabinets may not meet ADA requirements

**2 Drawer 2 Door Base Cabinet**

<b>B30-HA</b>	769	846
<b>B33-HA</b>	821	903
<b>B36-HA</b>	861	949
<b>B39-HA</b>	916	1008

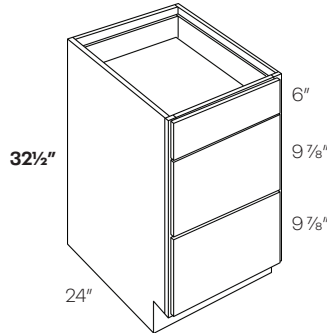


- 10" Deep Shelf
- \* Please note: ADA cabinets may not meet ADA requirements

Item Number	L	P
-------------	---	---

**3 Drawer Base Cabinet**

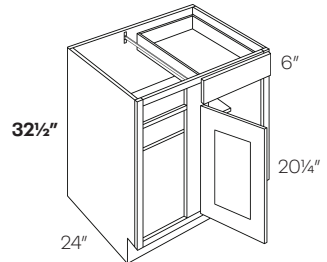
<b>DB12-HA</b>	705	810
<b>DB15-HA</b>	738	850
<b>DB18-HA</b>	761	876



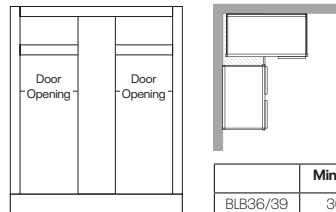
- \* Please note: ADA cabinets may not meet ADA requirements

**Blind Base Cabinet**

<b>BLB36/39-HA</b>	814	855
--------------------	-----	-----

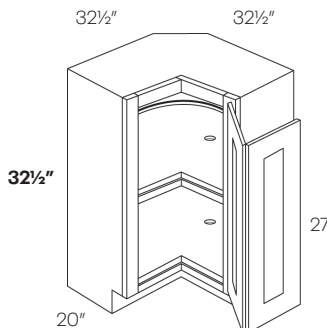


- Left blind shown
- Reversible Left or Right
- Must be pulled to the minimum position
- \* Please note: ADA cabinets may not meet ADA requirements

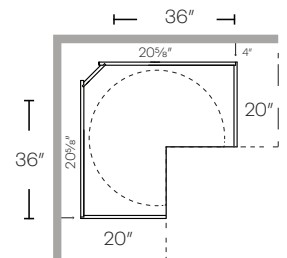


**Lazy Susan Corner Base Cabinet**

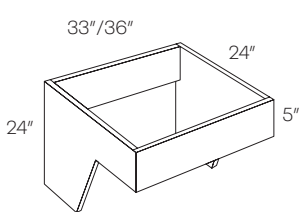
<b>CAR36L-HA</b>	1322	1322
<b>CAR36R-HA</b>	1322	1322



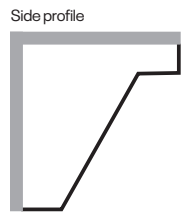
- Requires 36" x 36" wall space
- \* Please note: ADA cabinets may not meet ADA requirements



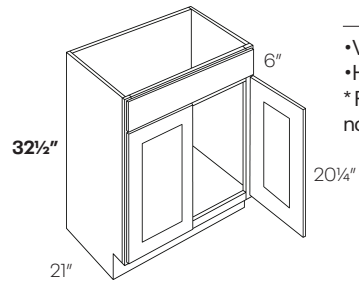
	Item Number	L	P
<b>Removable Sink Insert</b>	SB33-HR-INS	500	500
	SB36-HR-INS	550	550



\*HR=Handicap Removable  
 • Has full back panel  
 \* Please note: ADA cabinets may not meet ADA requirements

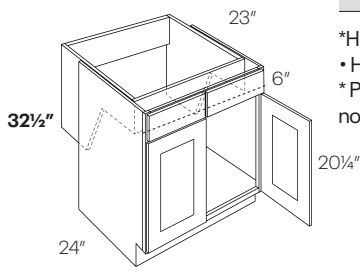


	Item Number	L	P
<b>2 Door Vanity Sink Base Cabinet</b>	V21-HA*	377	396
	V24-HA	400	420
	V30-HA	516	542
	V36-HA	623	654

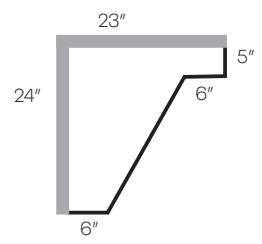


• V21-HA available in White only  
 • HA=Handicap Accessible  
 \* Please note: ADA cabinets may not meet ADA requirements

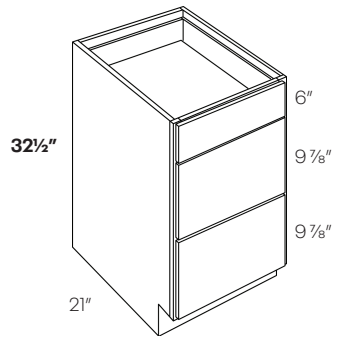
<b>2 Door Removable Sink Base Cabinet</b>	SB30-HR	1070	1123
	SB33-HR	1081	1189
	SB36-HR	1103	1213



\*HR=Handicap Removable  
 • Has full back panel  
 \* Please note: ADA cabinets may not meet ADA requirements

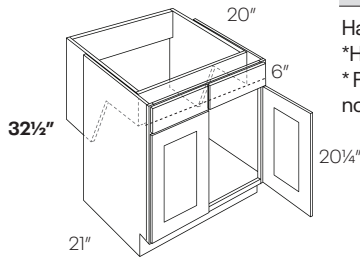


<b>Vanity Drawer Base Cabinet - Handicap Accessible</b>	VDB12-HA	680	782
	VDB15-HA	719	827
	VDB18-HA	735	846

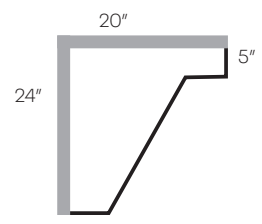


\*HA=Handicap Accessible  
 \* Please note: ADA cabinets may not meet ADA requirements

<b>Removable Vanity Base</b>	V30-HR	700	735
	V33-HR	876	920
	V36-HR	926	973

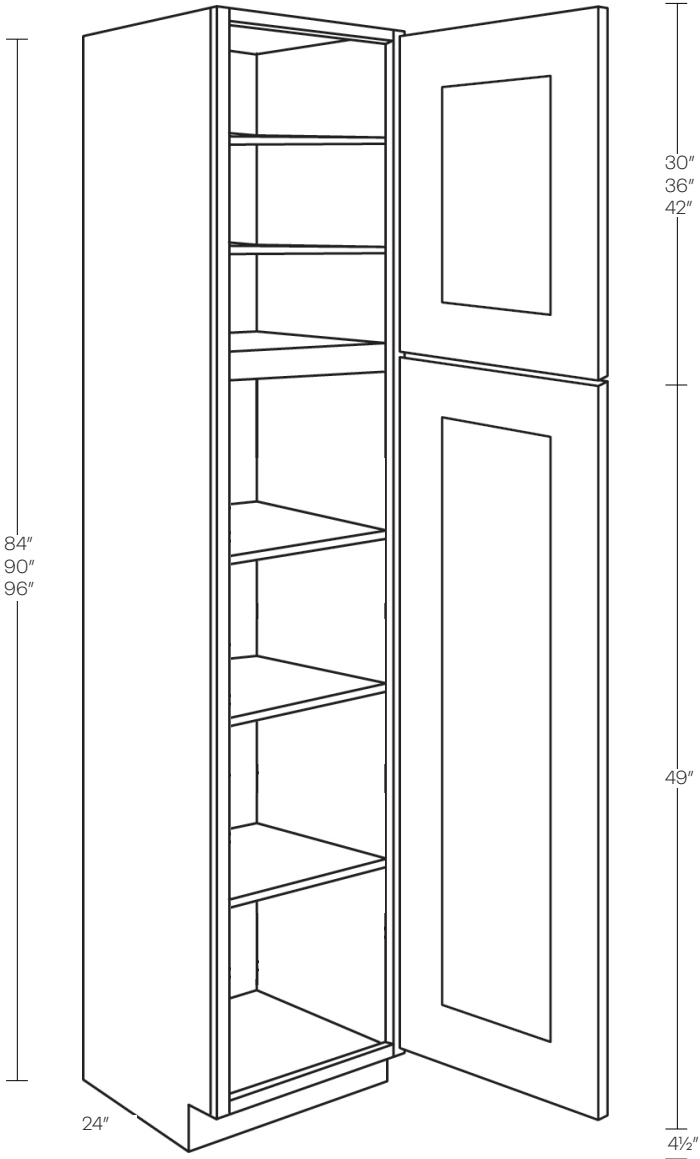


Has full back panel  
 \*HR=Handicap Removable  
 \* Please note: ADA cabinets may not meet ADA requirements



Item Number	L
-------------	---

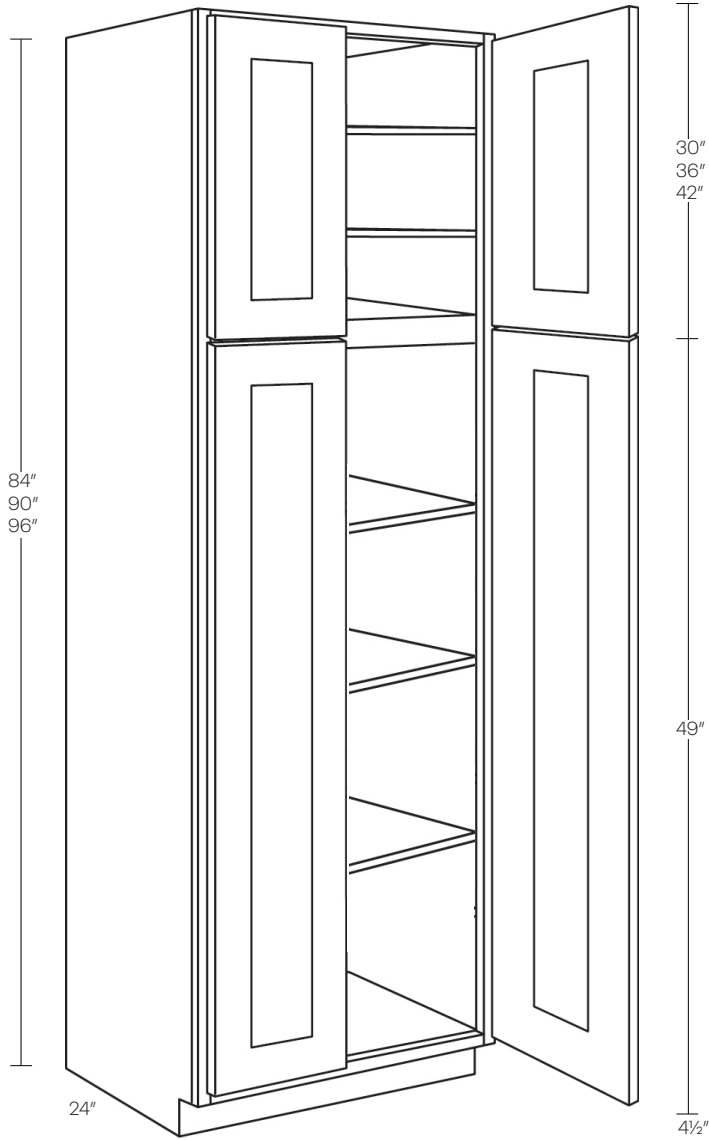
Single Door Utility Cabinet



UC1821X84	1521
UC1824X84	1521
UC1824X90	1734
UC1824X96*	1979

- 3 bottom adjustable shelves
- 84" and 90" have 2 upper shelves
- 96" has 3 upper shelves

Double Door Utility Cabinet



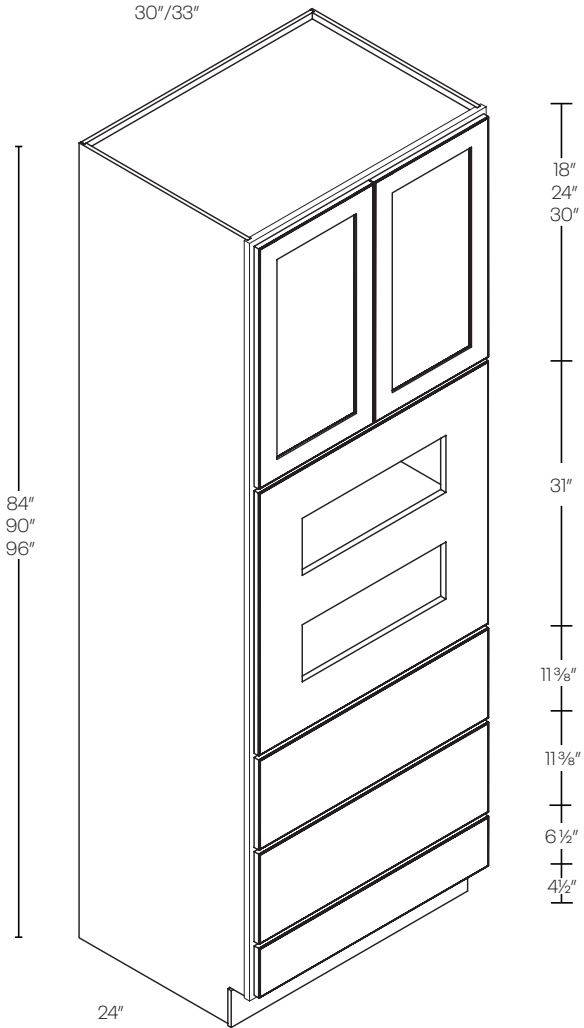
Item Number	L
-------------	---

UC2424X84	1752
UC2424X90	2000
UC2424X96*	2212
UC3024X84	1840
UC3024X90	2100
UC3024X96*	2323

- 3 bottom adjustable shelves
- 84" and 90" have 2 upper shelves
- 96" has 3 upper shelves

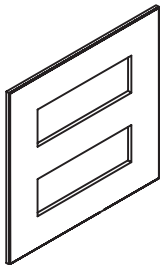
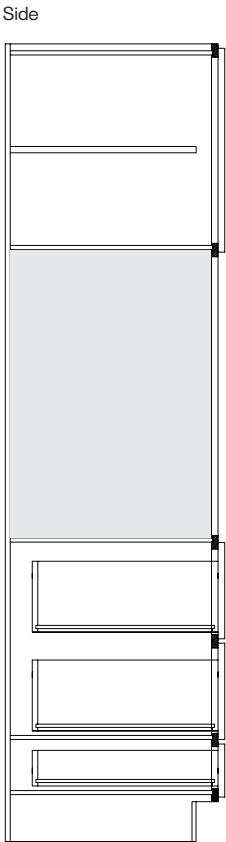
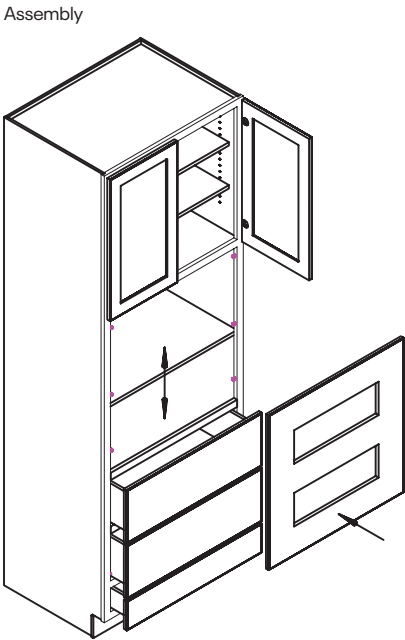
Item Number	L	P
OV3084	1654	1737
OV3090	1904	1999
OV3096*	2153	2261
OV3384	1690	1944
OV3390	1942	2234
OV3396	2189	2528
OV30-TRM	350	350
OV33-TRM*	370	370

Double Door Oven Cabinet



- \* 96" has 2 upper shelves
- For double ovens, remove drawer floor as needed

Side - Field Modified  
 \*for double oven, remove fixed shelf and bottom two 12" drawers in field

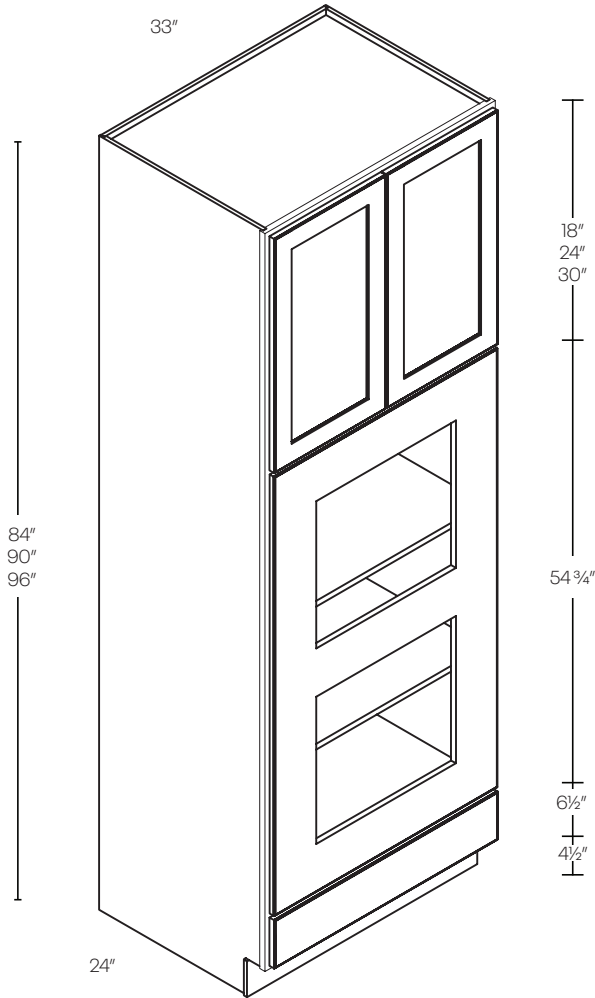


OV30-TRM/OV33-TRM

Item Number	L	P
-------------	---	---

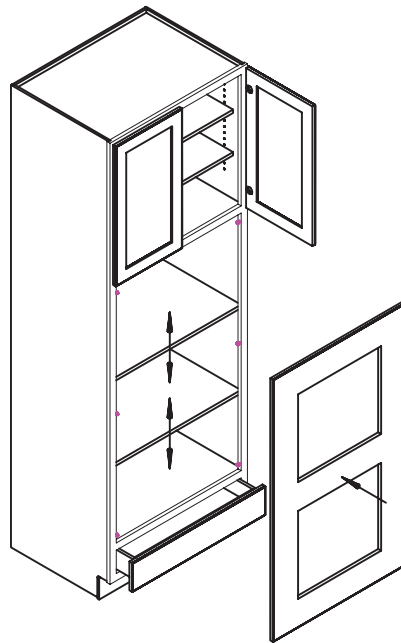
Double Oven Cabinet

OVD3384	1690	1775
OVD3390	1942	2039
OVD3396*	2198	2308
OVD33-TRM	540	540

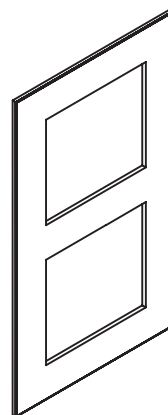
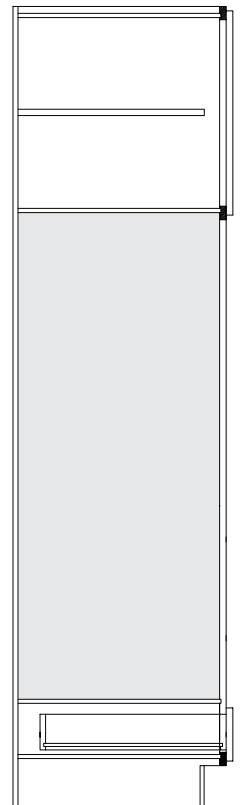


\*96" has 2 upper shelves

Assembly

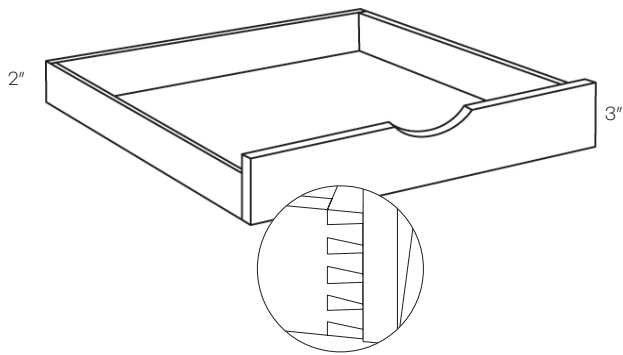


Side



OV33-TRM

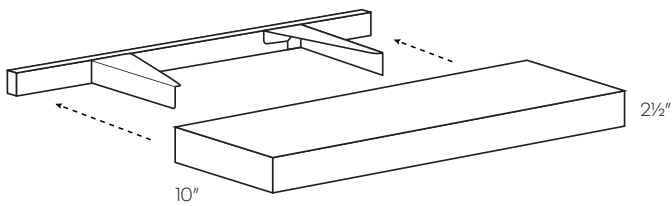
**Pull Out Shelf**



Item Number	L
POS-12	198
POS-15	207
POS-18	228
POS-21	240
POS-24	271
POS-27	282
POS-30	294
POS-33	307
POS-36	329
POS-42	345

- Natural finish
- Ball bearing soft-close glides included
- POS uses dovetail construction

**Floating Shelves**



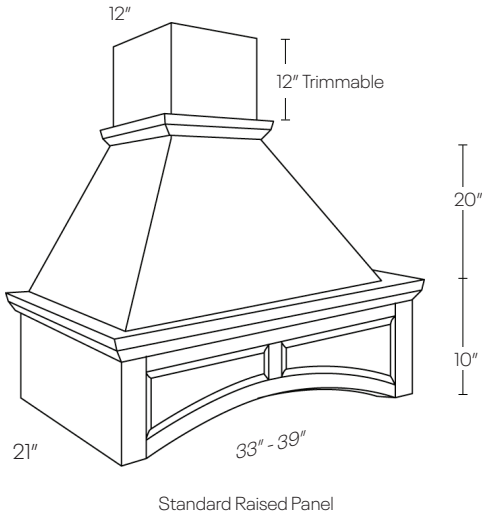
F-SHELF-24	483
F-SHELF-30	576
F-SHELF-36	668
F-SHELF-42	760

- Mounting hardware included



Item Number	L	P
<b>WHA30/33</b>	4403	4403
<b>WHA36/39</b>	4752	4752

**Arched Wood Hood**

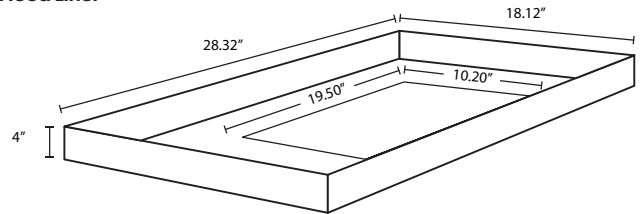


Standard Raised Panel

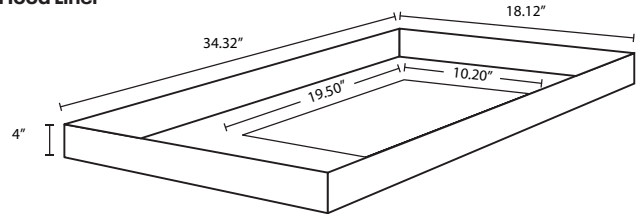
When purchasing your blower unit, check the requirements for your range or cooktop. Verify the blower will fit into the interior dimensions of the hood.

- Inside dimensions all 18" deep by 27½" / 33½"
- Width from end to end is 33⅜" / 39⅜"
- Liners Included
- Blower not available
- Up to two week extended lead time

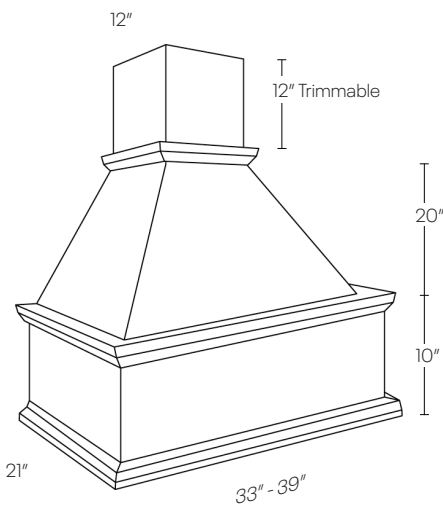
**30" Hood Liner**



**36" Hood Liner**



**Straight Wood Hood**

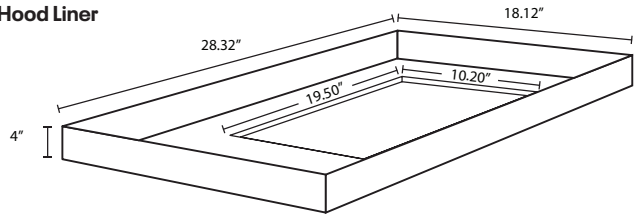


When purchasing your blower unit, check the requirements for your range or cooktop. Verify the blower will fit into the interior dimensions of the hood.

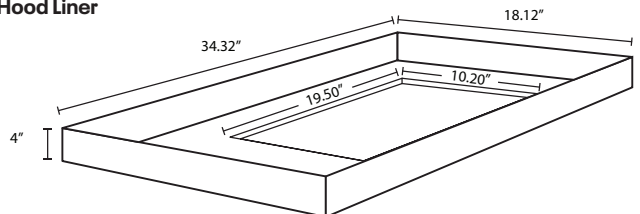
<b>WHP30/33</b>	4403	4403
<b>WHP36/39</b>	4752	4752

- Inside dimensions all 18" deep by 27½" / 33½"
- Width from end to end is 33⅜" / 39⅜"
- Liners Included
- Blower not available
- Extended lead time
- Up to two week extended lead time

**30" Hood Liner**

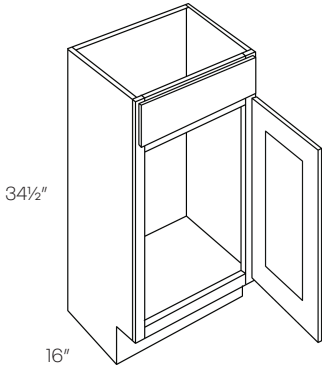


**36" Hood Liner**



Item Number	L	P
<b>V1816</b>	307	323

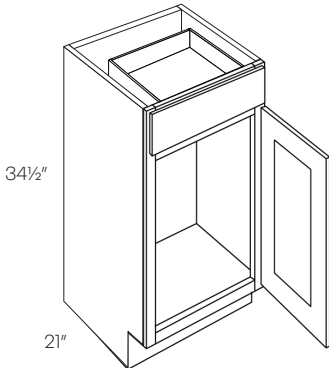
**1 Door Vanity Sink Base Cabinet**



**1 Door Vanity Base Cabinet**

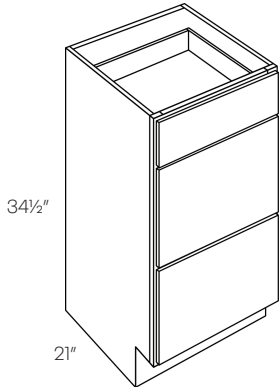
<b>VB12</b>	437	459
<b>VB15</b>	458	481
<b>VB18</b>	480	504

• Cabinet has a shelf



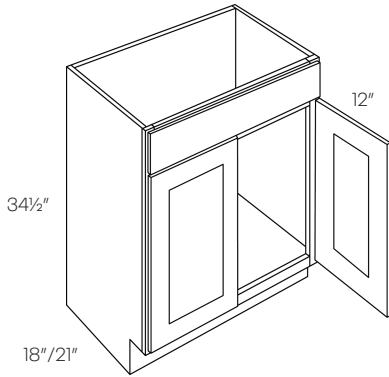
**Vanity Drawer Base Cabinet**

<b>VDB12</b>	699	804
<b>VDB15</b>	741	853
<b>VDB18</b>	759	873
<b>VDB21</b>	772	888
<b>VDB24</b>	796	916



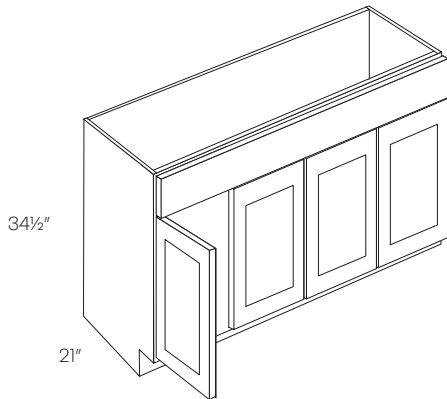
Item Number	L	P
-------------	---	---

**2 Door Vanity Sink Base Cabinet**



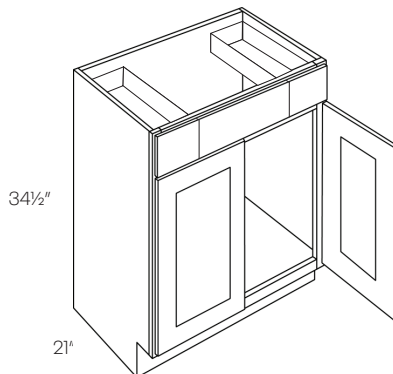
<b>V2418</b>	394	415
<b>V3018</b>	501	527
<b>V24</b>	427	448
<b>V27</b>	472	504
<b>V30</b>	532	560
<b>V33</b>	588	630
<b>V36</b>	643	675
<b>V42</b>	746	784

**4 Door Vanity Sink Base Cabinet**



<b>V48</b>	895	940
------------	-----	-----

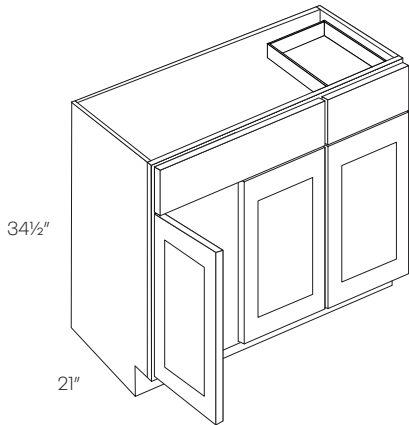
**2 Drawer Vanity Sink Base Cabinet**



<b>VSB36</b>	784	902
<b>VSB42</b>	840	966

Item Number	L	P
-------------	---	---

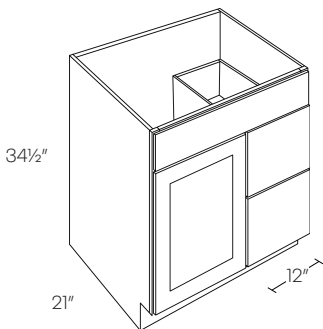
**3 Door Vanity Base Cabinet**



<b>VB36</b>	947	995
<b>VB42</b>	958	1006

• Drawer on right side only

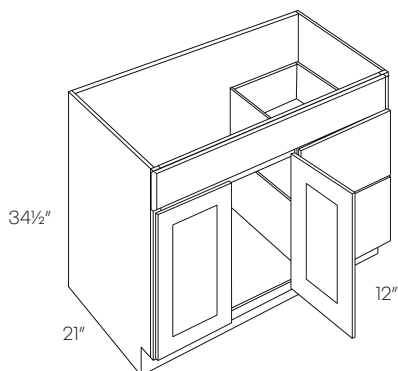
**1 Door 2 Drawer Vanity Sink Base Cabinet**



<b>V24DL</b>	640	672
<b>V24DR</b>	640	672
<b>V30DL</b>	884	929
<b>V30DR</b>	884	929

• DR shown in picture

**2 Door 2 Drawer Vanity Sink Base Cabinet**



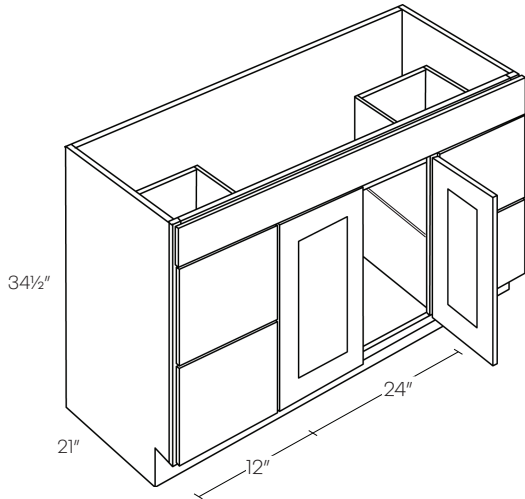
<b>V36DL</b>	952	1000
<b>V36DR</b>	952	1000
<b>V42DL</b>	966	1015
<b>V42DR</b>	966	1015

• DR shown in picture

Item Number	L	P
-------------	---	---

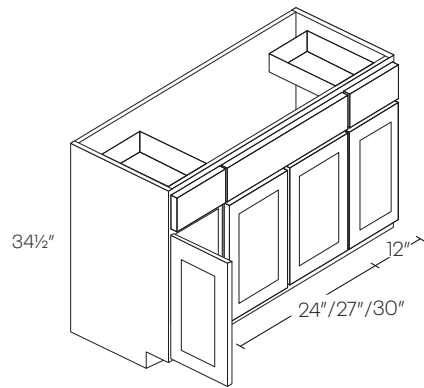
**2 Door 4 Drawer Vanity Sink Base Cabinet**

V48DD	1104	1215
-------	------	------



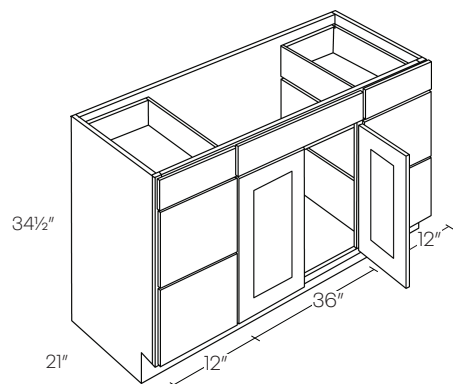
**4 Door Vanity Base Cabinet**

VB48	1092	1147
VB54	1150	1208
VB60	1203	1383



**Vanity Drawer Base Cabinet**

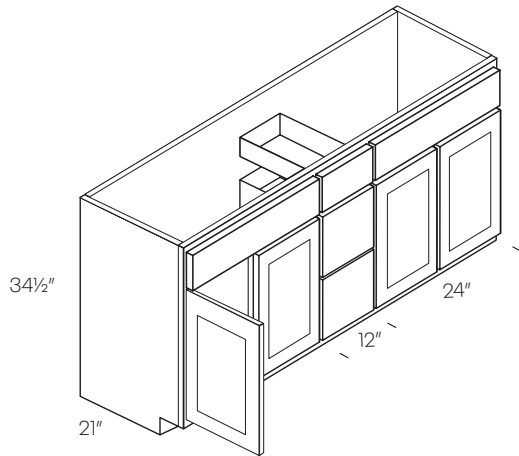
V60DD	1340	1474
-------	------	------



Item Number	L	P
-------------	---	---

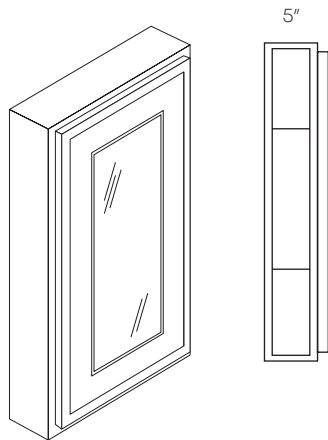
Vanity Drawer Base Cabinet

VSD60	1276	1595
-------	------	------



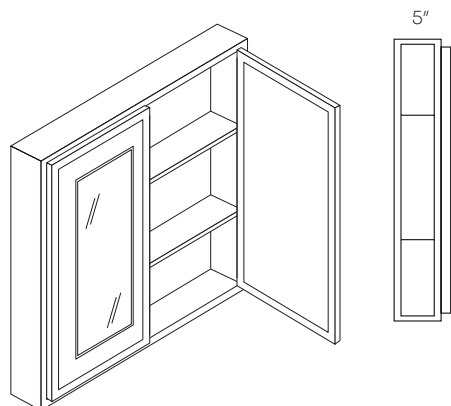
Single Door Medicine Cabinet

MC1830	294	294
--------	-----	-----



Double Door Medicine Cabinet

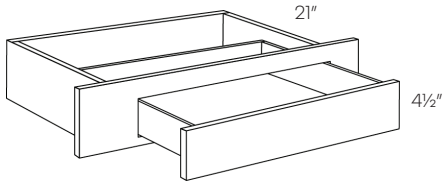
MC2430	527	527
MC3030	586	586
MC3630	661	661



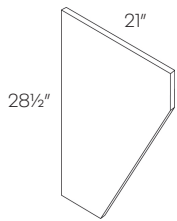
Item Number	L	P
-------------	---	---

**Desk Drawer**

<b>DD30</b>	319	N/A
<b>DS</b>	203	N/A



- DS is 21"
- 2 1/2" trimmable sides
- Drawer front is 22 1/2" wide
- Slab drawer front



Item Number	L
F330	52
F630	89
F342	68
F642	120
F396	160
F696	265

**Fillers**

F330/F630/F342/F642
F396/F696

• Fillers finished on all 4 sides

Item Number	L
REP196	518
REP384	470
REP390	494
REP396	518
UREP24	361
UREP30	480
UREP24-9	406
UREP30-9	540
UREP24-10	457
UREP30-10	608
UREP1.5x96x27	540

**Refrigerator End Panel**

REP1
REP3

• Finished on one side

DWR3	272
DWR6	302
BEP	238

**Base End Panel**

DWR
BEP

UREP
UREP1.5x96x27

PLY4X8	410
--------	-----

**Plywood Panel**

CRM	141
CRMS	141

**Crown Molding**

CRM
CRMS

Height: 2"  
 Projection: 2"



Item Number	L
-------------	---

---

**Royal Crown Molding**

RCRM	397
RCRMS	397
RCRMC	397

• 8 feet long

**RCRM**  
Height: 3/2"  
Projection: 2/2"

**RCRMS**  
Height: 3/8"  
Projection: 3/8"

**RCRMC**  
Height: 3/8"  
Projection: 3/8"

Item Number	L
-------------	---

---

**Base Molding**

BSMS	283
------	-----

• 8 feet long

4 1/2"  
3/4"

**Corbel**

CBS6	100
CBS10	139

	W	D	H
CBS6	3"	3 1/2"	6 1/2"
CBS10	3"	7 1/2"	10 1/2"

**Scribe Molding**

SCM	87
-----	----

• 8 feet long

1/4"  
3/4"

**Corner Molding**

OCM	107
OCM135	107
ICM	107

• 8 feet long

**OCM**

**OCM135**

**ICM**

**Column**

CLM-B30 (34 1/2"H X 30"D)	451
CLM-30X15 (30"H X 15"D)	228
CLM-36X15 (36"H X 15"D)	255
CLM-42X15 (42"H X 15"D)	283

3" 3"

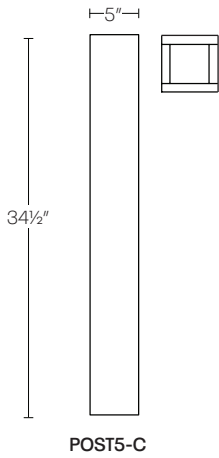
• Depth is Trimmable  
• Finished 3 sides

Item Number	L
-------------	---

Item Number	L
-------------	---

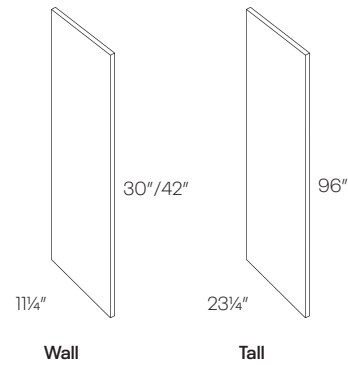
**Large Post**

<b>POST5-C</b>	887
----------------	-----



**Finished Skin**

<b>FS30</b>	107
<b>FS42</b>	149
<b>FS9624</b>	283
<b>FSB</b>	139
<b>FSV</b>	138

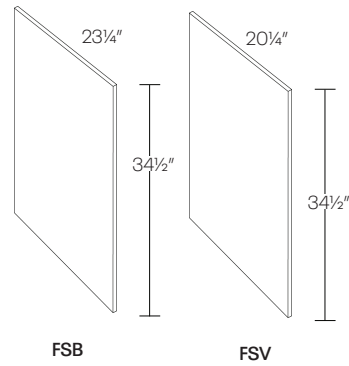
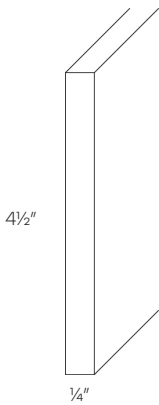


• 1/4" Thick

**Toe Kick**

<b>TKS</b>	89
------------	----

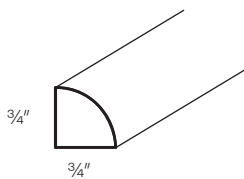
• 8 feet long



**Shoe Molding**

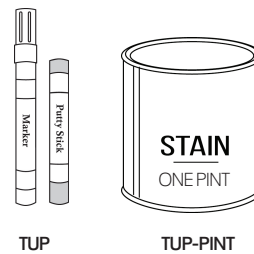
<b>SHM</b>	119
------------	-----

• 8 feet long



**Touch Up Kit / Stain**

<b>TUP</b>	100
<b>TUP-PINT</b>	118
<b>CHW-LUX-CARE</b>	15

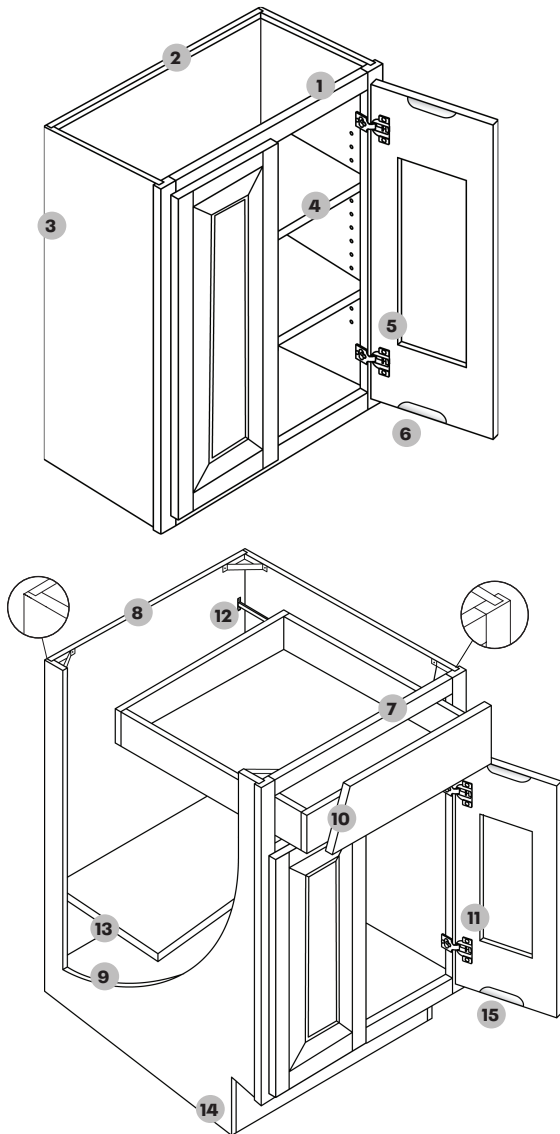


• TUP-PINT is one pint available in all finishes

# **Cabinet & Door Information**

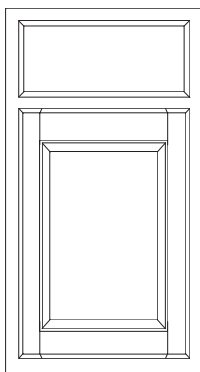
---

Country Collection



- 1 **Frame** — 3/4" thick, 1 1/2" wide, kiln-dried solid hardwood. Assembled with glue and nails, under clamp pressure, which ensures squareness.
- 2 **Back panel** — 1/2" substrate, with 3" plywood surrounding frame, made of 1/2" plywood. Rabbeted and stapled into cabinet sides, screwed into top and bottom. Includes 1 1/2" hanging rails.
- 3 **End panel** — Top and bottom 1/2" plywood substrate, with light maple woodgrain laminate finish.
- 4 **Shelves** — 3/4" thick, plywood; fully adjustable
- 5 **Hinges** — Heavy duty steel concealed adjustable hinge.
- 6 **Doors** — Finger pull groove for easy access
  
- 7 **Base frame** — 3/4" thick, 1 1/2" wide, kiln-dried solid hardwood. Assembled with glue and nails, under clamp pressure, which ensures squareness.
- 8 **Back panel** — 1/2" substrate plywood material. Rabbeted and stapled into cabinet sides, screwed into top and bottom.
- 9 **End panel** — 1/2" plywood substrate, with light maple woodgrain laminate interior finish.
- 10 **Drawers** — 1/2" Plywood sides with 3/8" thick bottom fastened with screws
- 11 **Hinges** — Heavy duty steel concealed adjustable hinge.
- 12 **Glides** — High quality epoxy coated steel side mounted glides.
- 13 **Shelves** — 3/4" thick, plywood; fully adjustable. (10" deep)
- 14 **Toe kick** — 4 1/2" Toe kick with 2 1/2" inset on all standard base and vanity cabinets.
- 15 **Doors** — Finger pull groove for easy access

## Country Oak



Finish	Price Code
C4 - Honey (Stain)	R

A standard 1" reveal, 5 piece solid wood with a raised MDF veneer center panel Mortise and Tenon construction, slab drawer front. solid wood in a Honey finish.



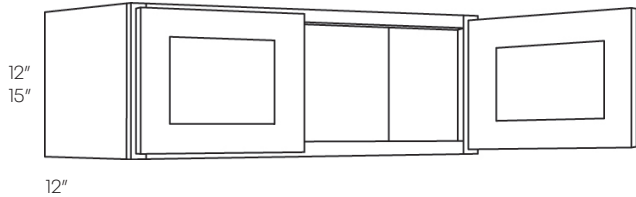
# **Specifications and Prices**

---

Country Collection

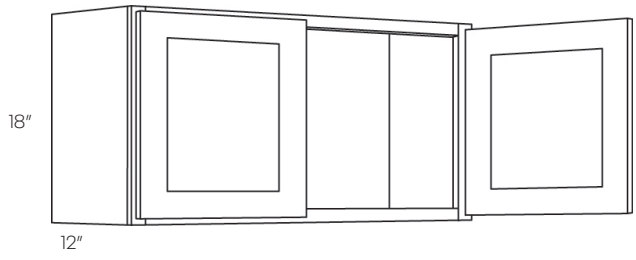
	Item Number	R
<b>12"-15" High Wall Cabinet</b>	3012	323
	3312	334
	3612	362
	2415	320
	3015	329
	3315	344
	3615	362

• No Shelf

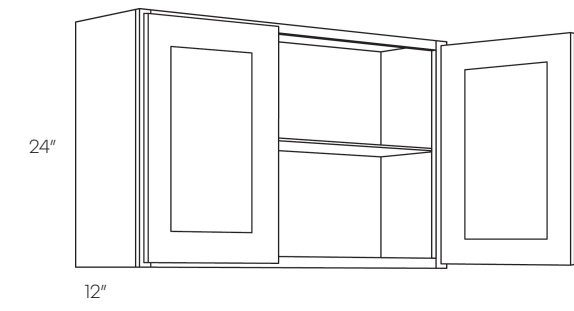


<b>18" High Wall Cabinet</b>	2118 (1 Door)	302
	2418	320
	3018	332
	3318	360
	3618	414

• No Shelf

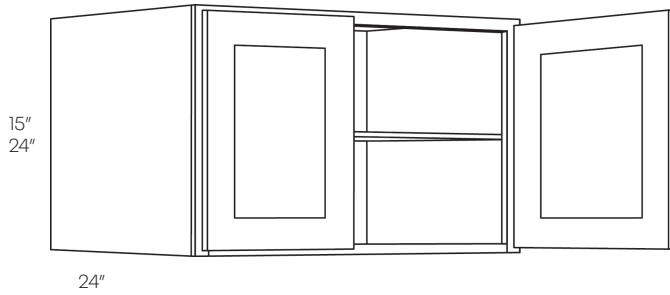


<b>24" High Wall Cabinet</b>	1824 (1 Door)	342
	2424	452
	2724	458
	3024	471
	3324	488
	3624	523
	4224	623
<b>4824 (4 Doors)</b>	<b>696</b>	



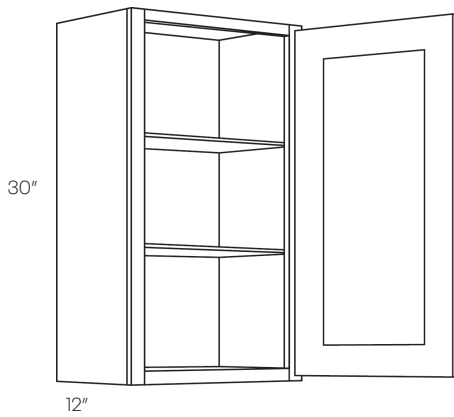
Item Number	R
-------------	---

**24" Deep Wall Cabinet**



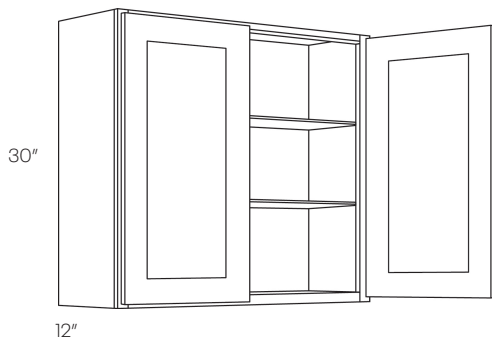
<b>3015X24</b>	441
<b>3024X24</b>	613
<b>3615X24</b>	491
<b>3624X24</b>	708

**30" High 1 Door Wall Cabinet**



<b>930</b>	260
<b>1230</b>	289
<b>1530</b>	312
<b>1830</b>	351
<b>2130</b>	419

**30" High 2 Door Wall Cabinet**



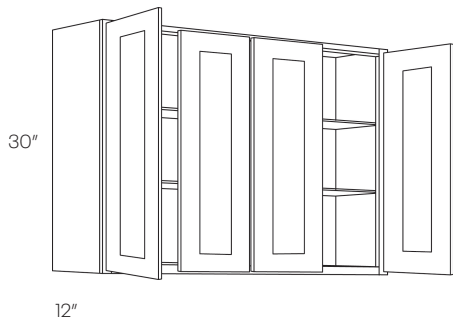
<b>2430</b>	447
<b>2730</b>	493
<b>3030</b>	504
<b>3330</b>	549
<b>3630</b>	584
<b>3930</b>	632
<b>4230</b>	670



Item Number	R
-------------	---

30" High 4 Door Wall Cabinet

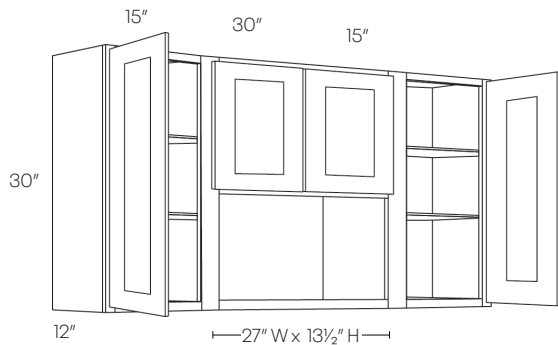
4830	759
5430	849



30" High Open Wall Cabinet

6030-O	866
--------	-----

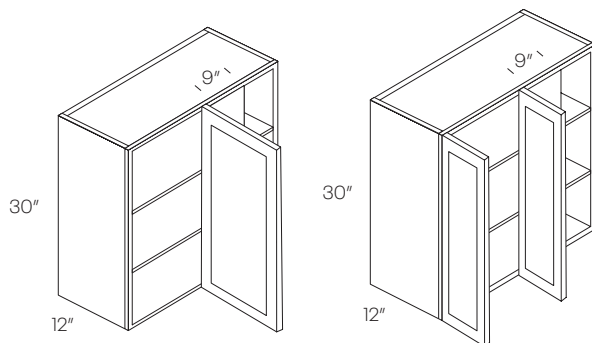
• Opening Natural Interior Finish



30" High Blind Wall Cabinet

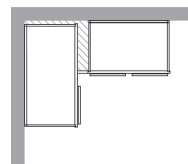
BLW27/3030	637
BLW36/3930	762
BLW39/4230	832
BLW42/4530	913

• Reversible L or R  
• Can be installed at actual size



BLW27/BLW36

BLW39/BLW42



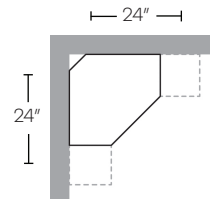
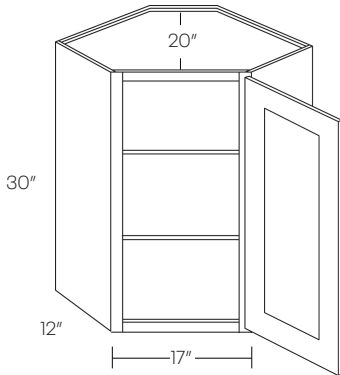
Cabinet	Min. Pull	Max. Pull	Actual Size	Door(s)	Door Opening
BLW27/3030	27"	30"	27"	1230	9" X 27"
BLW36/3930	36"	39"	36"	2130	18" X 27"
BLW39/4230	39"	42"	39"	2430	21" X 27"
BLW42/4530	42"	45"	42"	2730	24" X 27"

Item Number	R
-------------	---

**30" High Diagonal Corner Wall Cabinet**

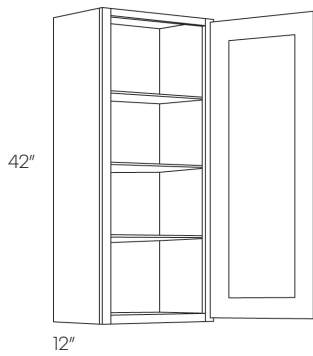
<b>CW2430</b>	651
---------------	-----

• Requires 24" x 24" wall space



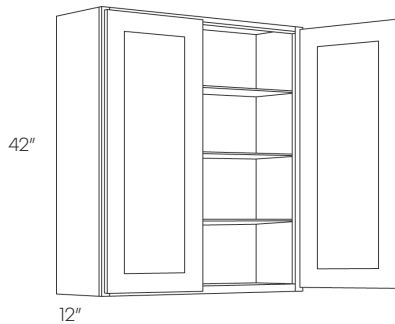
**42" High 1 Door Wall Cabinet**

<b>942</b>	349
<b>1242</b>	380
<b>1542</b>	418
<b>1842</b>	465
<b>2142</b>	554



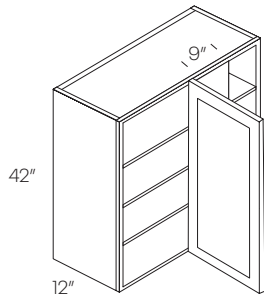
**42" High 2 Door Wall Cabinet**

<b>2442</b>	595
<b>2742</b>	656
<b>3042</b>	680
<b>3342</b>	729
<b>3642</b>	772
<b>4242</b>	898

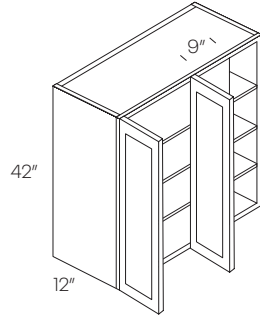


Item Number	R
-------------	---

42" High Blind Wall Cabinet



BLW27/BLW36

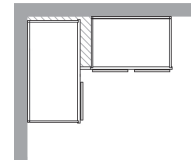


BLW39

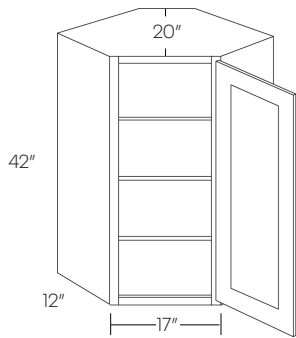
BLW27/3042	822
BLW36/3942	987
BLW39/4242	1081

- Reversible L or R
- Can be installed at actual size

Cabinet	Min. Pull	Max. Pull	Actual Size	Door(s)	Door Opening
BLW27/3042	27"	30"	27"	1242	9" X 39"
BLW36/3942	36"	39"	36"	2142	18" X 39"
BLW39/4242	39"	42"	39"	2442	21" X 39"

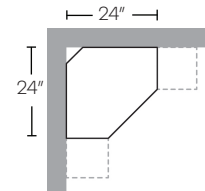


42" High Diagonal Corner Wall Cabinet



CW2442	849
--------	-----

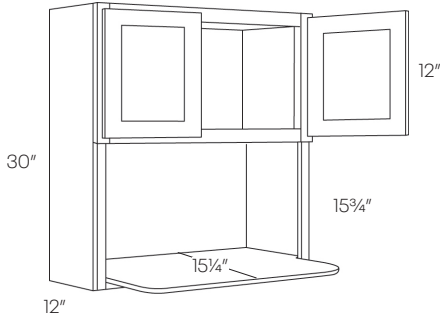
- Requires 24" x 24" wall space



Item Number	R
-------------	---

Microwave Cabinet

MW3030	625
--------	-----



- Opening 27" x 15 3/4"
- Shelf is 15 3/4" deep
- Opening has natural finish
- Shelf ships loose

Item Number	R
<b>B9</b>	380
<b>B12</b>	434
<b>B15</b>	456
<b>B18</b>	479
<b>B21</b>	544

• 10" Deep Shelf

Item Number	R
<b>B48</b>	980

• 10" Deep Shelf

Item Number	R
<b>B24</b>	580
<b>B27</b>	640

• 10" Deep Shelf

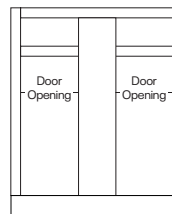
Item Number	R
<b>DB12</b>	639
<b>DB15</b>	670
<b>DB18</b>	690
<b>DB21</b>	718
<b>DB24</b>	743

Item Number	R
<b>B30</b>	698
<b>B33</b>	746
<b>B36</b>	783
<b>B39</b>	833
<b>B42</b>	878

• 10" Deep Shelf

Item Number	R
<b>BLB36/39</b>	777
<b>BLB39/42</b>	803
<b>BLB42/45</b>	857

• Reversible Left or Right  
• Must be pulled to the minimum position  
\*Left blind shown



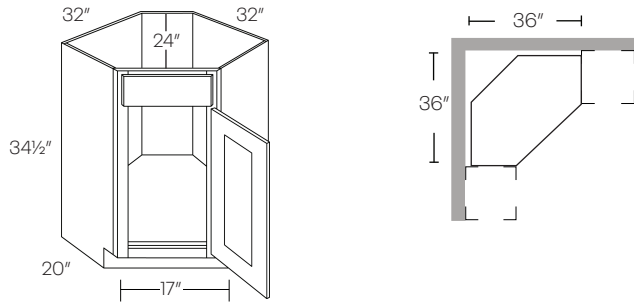
Cabinet	Min. Pull	Max. Pull	Actual Size	Door(s)	Door Opening
BLB36/39	36"	39"	30"	B12	9"
BLB39/42	39"	42"	36"	B15	12"
BLB42/45	42"	45"	42"	B18	15"

Item Number	R
-------------	---

**Diagonal Corner Sink Base Cabinet**

<b>CSB36</b>	1178
--------------	------

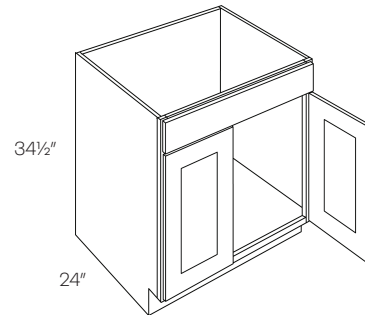
• Requires 36" x 36" wall space.



Item Number	R
-------------	---

**1 Drawer Front 2 Door Sink Base**

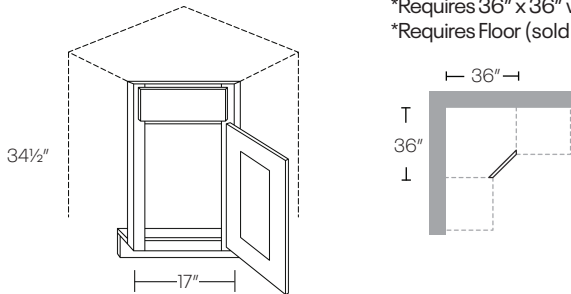
<b>SB24</b>	575
<b>SB27</b>	617



**Diagonal Corner Sink Front**

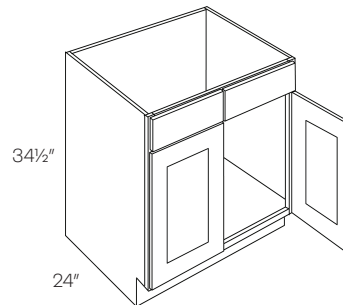
<b>CSF36*</b>	312
<b>CSFFL36 (Floor)</b>	145

\*Requires 36" x 36" wall space.  
\*Requires Floor (sold separately)



**2 Drawer Front 2 Door Sink Base**

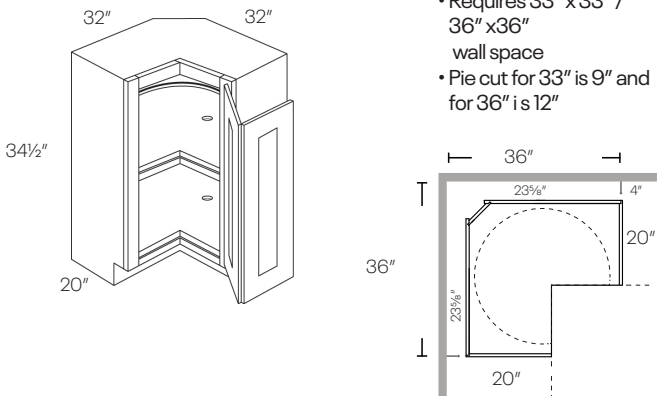
<b>SB30</b>	656
<b>SB33</b>	693
<b>SB36</b>	710
<b>SB39</b>	728
<b>SB42</b>	743



**Lazy Susan Corner Base Cabinet**

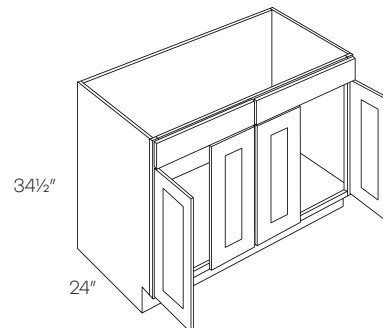
<b>CAR36</b>	1270
--------------	------

• Wood rotating shelf  
• Requires 33" x 33" / 36" x 36" wall space  
• Pie cut for 33" is 9" and for 36" is 12"



**2 Drawer 4 Door Base Cabinet**

<b>SB48</b>	835
-------------	-----

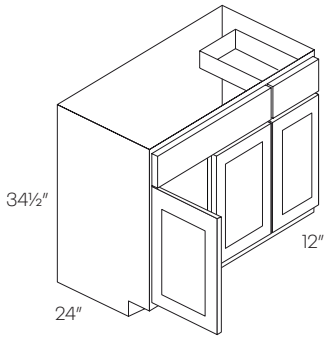


Item Number	R
-------------	---

Combination Sink Base Cabinet

<b>SB42RD</b>	789
<b>SB42LD</b>	789

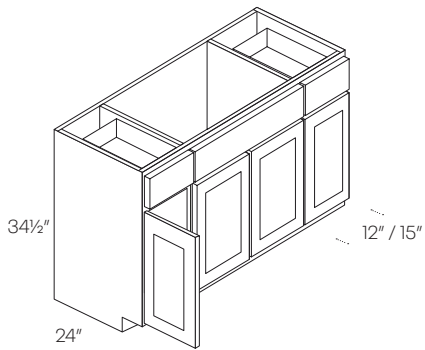
- Drawer is 12" wide
- Right Drawer (RD) shown



Combination Sink Base Cabinet

<b>SB54</b>	934
<b>SB60</b>	1017

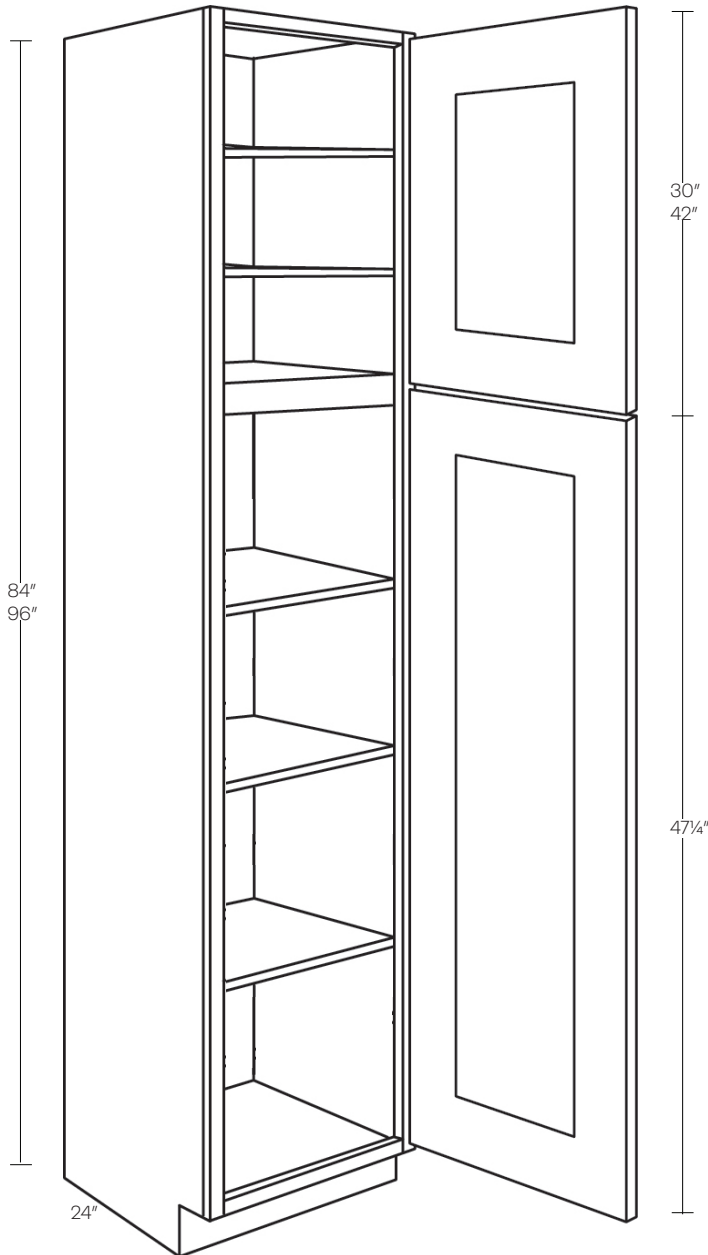
	Door	Sink	Door
SB54	12"	30"	12"
SB60	15"	30"	15"



Item Number	R
-------------	---

Single Door Utility Cabinet

<b>UC1824X84*</b>	1453
<b>UC1824X96*</b>	1888



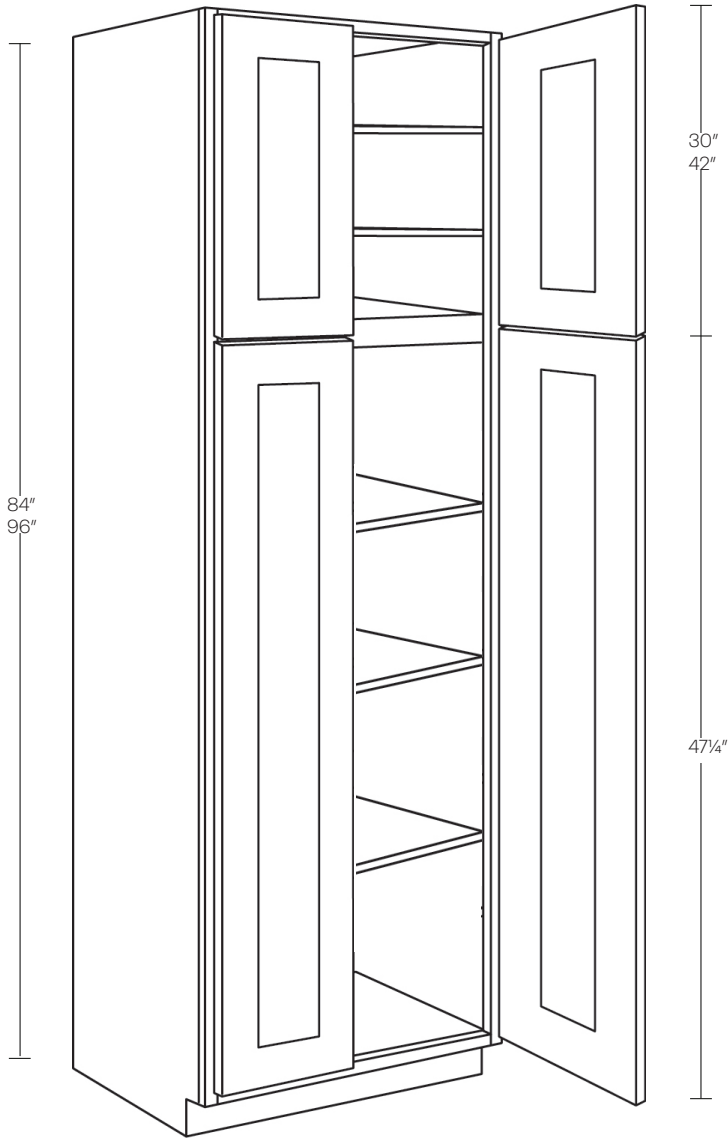
- 3 bottom adjustable shelves
- 84" has 2 upper shelves
- 96" has 3 upper shelves



Item Number	R
-------------	---

Double Door Utility Cabinet

<b>UC2424X84*</b>	1673
<b>UC2424X96*</b>	2112

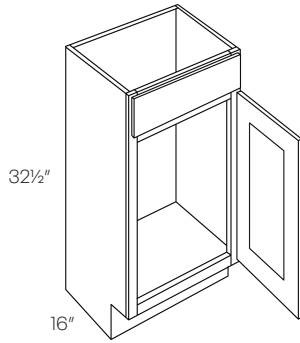


- 3 bottom adjustable shelves
- 84" has 2 upper shelves
- 96" has 3 upper shelves
- \*POS not available

Item Number	R
-------------	---

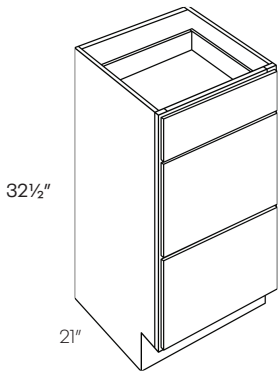
**1 Door Vanity Sink Base Cabinet**

V1816-32.5	284
------------	-----



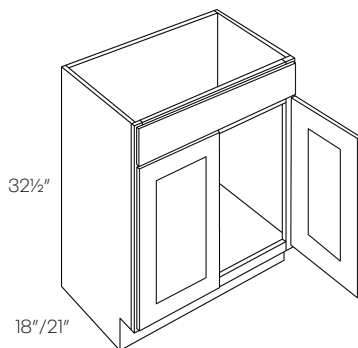
**Vanity Drawer Base Cabinet**

VDB15-32.5	653
VDB18-32.5	668



**2 Door Vanity Sink Base Cabinet**

V2418-32.5	366
V3018-32.5	465
V2421-32.5	394
V3021-32.5	493
V3621-32.5	596

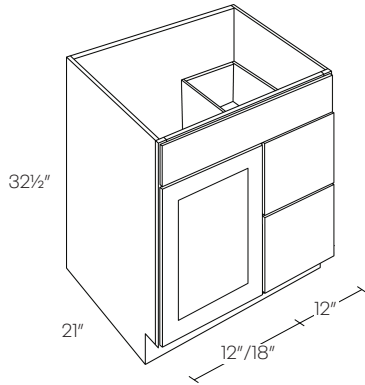


Item Number	R
-------------	---

**1 Door 2 Drawer Vanity Sink Base Cabinet**

V2421D-32.5	569
V3021D-32.5	780

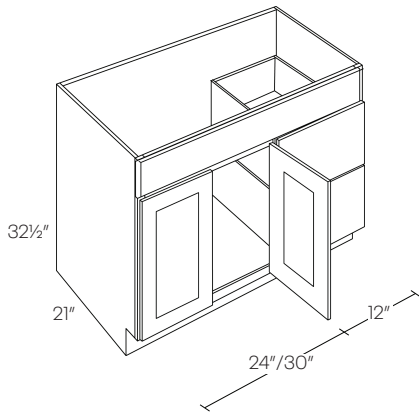
• Drawers on right hand side only



**2 Door 2 Drawer Vanity Sink Base Cabinet**

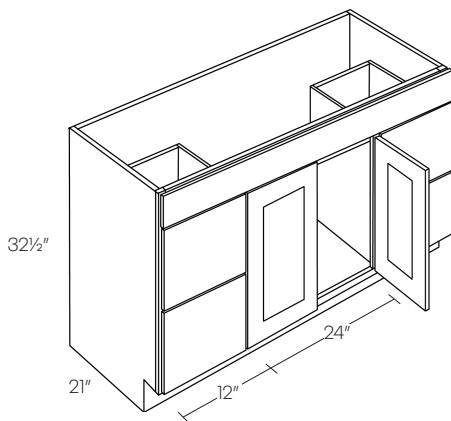
V3621D-32.5	881
V4221D-32.5	894

• Drawers on right hand side only



**2 Door 4 Drawer Vanity Sink Base Cabinet**

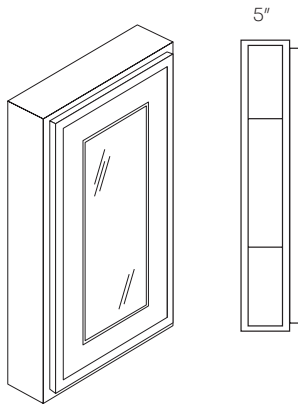
V4821DD-32.5	1023
--------------	------



Item Number	R
-------------	---

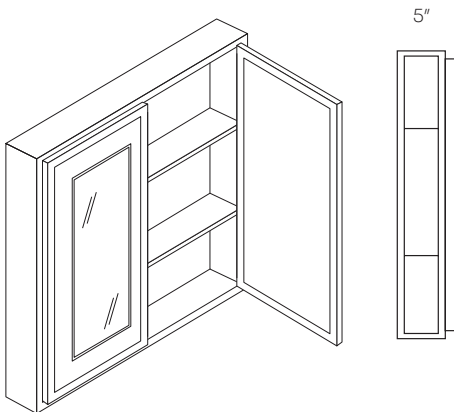
Single Door Medicine Cabinet

MC1830	285
--------	-----



Double Door Medicine Cabinet

MC2430	508
MC3030	567
MC3630	638



	Item Number	R
<b>Filler</b>	<b>F330</b>	47
	<b>F630</b>	73
	<b>F342</b>	63
	<b>F642</b>	103
	<b>F396</b>	120
	<b>F696</b>	234

3/4" 3/4"

F330/F630/F342/F642 F396/F696

• Fillers finished on all 4 sides

	Item Number	R
<b>Plywood Panel</b>	<b>PLY4X8</b>	349

48" 96" 1/4"

	Item Number	R
<b>Base End Panel</b>	<b>DWR3</b>	159

1/2" 24" 34 1/2" 3"

DWR

	Item Number	R
<b>Crown Molding</b>	<b>CRM</b>	115

• 8 feet long

CRM  
Height: 2"  
Projection: 2"

	Item Number	R
<b>Refrigerator End Panel</b>	<b>REP384</b>	444
	<b>REP396</b>	489

1/2" 24" 3"

REP3

	Item Number	R
<b>Corner Molding</b>	<b>OCM</b>	109
	<b>ICM</b>	109

• 8 feet long

3/4" 3/4" 3/4" 3/4"

OCM ICM

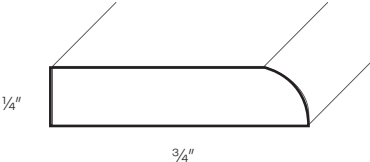
Item Number	R
-------------	---

Item Number	R
-------------	---

**Scribe Molding**

<b>SCM</b>	72
------------	----

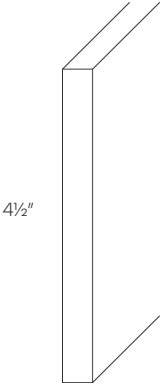
• 8 feet long



**Toe Kick**

<b>TKS</b>	81
------------	----

• 8 feet long



**Touch Up Kit**

<b>TUP</b>	100
------------	-----



TUP

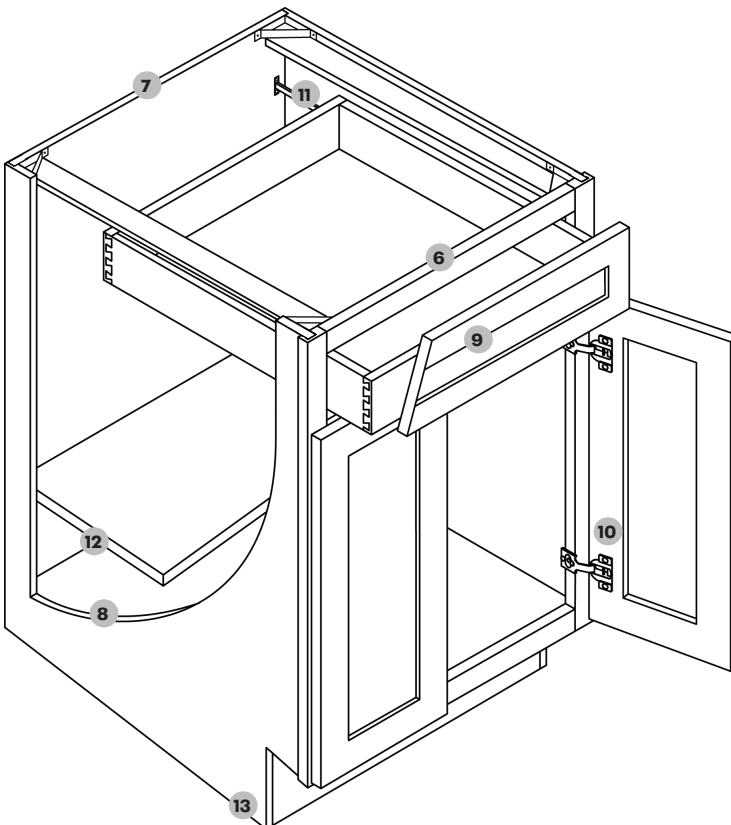
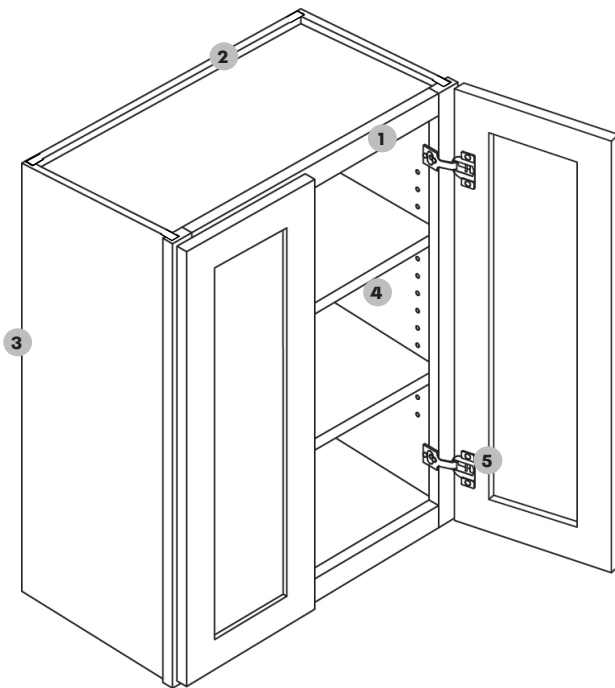


# **Cabinet & Door Information**

---

Concord Collection





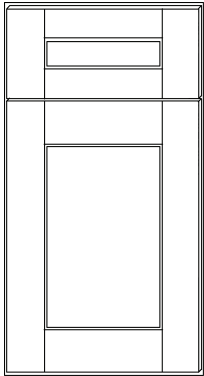
- 1 **Frame** — ¾" thick, 1½" wide, kiln-dried solid hardwood. Frame and sides are installed with a DADO interlocking system, which insures easy assembly and inseparable strength
- 2 **Back panel** — Full ½" plywood back, installed with DADO groove. Screwed to top and bottom. Exterior is finished.
- 3 **End panel** — ½" Plywood sides. Finished exterior with a natural wood-finish veneer interior.
- 4 **Shelves** — ¾" thick, plywood; fully adjustable with metal clips.
- 5 **Hinges** — Heavy duty steel concealed hinge, adjustable with soft-close mechanism.

\*36" and 42" Wall cabinets will have 3 hinges

- 6 **Base frame** — ¾" thick, 1½" wide, kiln-dried solid hardwood. Frame and sides are installed with a DADO groove, which insures easy assembly. Exterior is finished.
- 7 **Back panel** — Full ½" plywood back, installed with a DADO groove. Screwed to top and bottom.
- 8 **End panel** — ½" Plywood sides. Finished exterior with a natural wood-finish veneer interior.
- 9 **Drawers** — ¾" Solid wood, dovetail construction. With high quality stainless steel full extension under-mount glide. With soft-close safety feature.
- 10 **Hinges** — Heavy duty steel concealed hinge, adjustable with soft-close mechanism.
- 11 **Glides** — High quality stainless steel full extension under-mount glide. With soft-close safety feature.
- 12 **Shelves** — ¾" thick, plywood; fully adjustable with metal clips. (10" deep)
- 13 **Toe kick** — 4 ½" Toe kick with 2 ½" inset on all standard base and vanity cabinets.

**BLUM hinges and glides are available in the Concord Collection for \$34 per drawer and \$3.40 per hinge. Please contact your customer service for more information.**

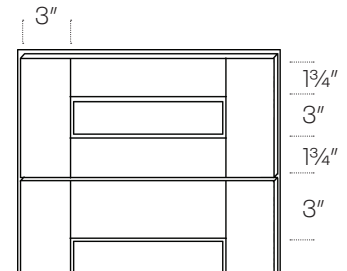
### Elegant



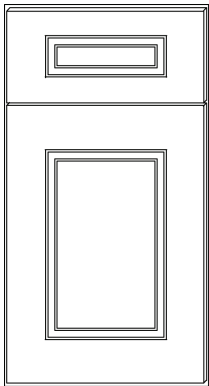
Finish	Price Code
EB02 - Smoky Grey (stain)	A
EB10 - White (paint)	A
EB22 - Dove (paint)	A
EB23 - Stone (hybrid stain)	B
EB27 - Ocean (paint)	A

\*Please note: EB23 Stone is now under the 'B' Price Code

A full overlay 5 piece solid wood, with solid MDF veneer flat center panel. Mortise and Tenon construction.

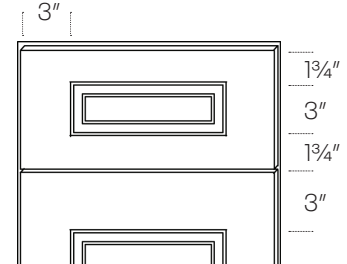


### Fashion

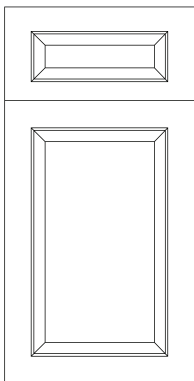


Finish	Price Code
FB10 - White (paint)	B
FB27 - Ocean (paint)	B

A full overlay 5 piece solid wood, with solid MDF veneer flat center panel. Mortise and Tenon construction.

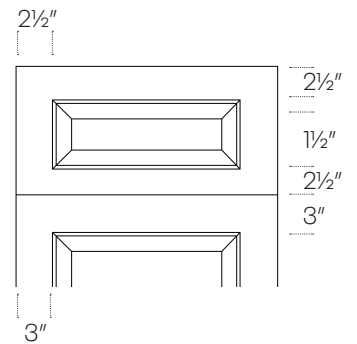


### Richmond

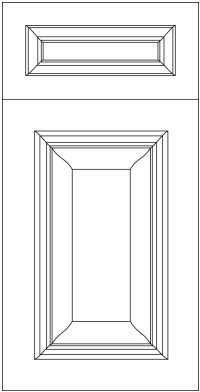


Finish	Price Code
RB10 - White (paint)	C
RB23 - Stone (hybrid stain)	C

A full overlay 5 piece solid wood, with solid MDF veneer flat center panel. Mitered construction.

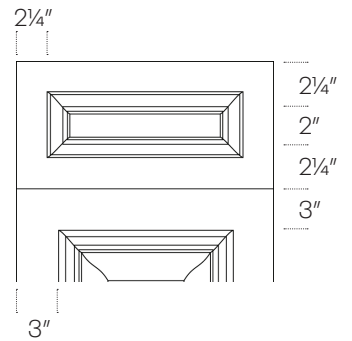


**Park Avenue**



Finish	Price Code
PB10 - White (paint)	C
PB27- Ocean (paint)	C

A full overlay 5 piece solid wood, raised panel MDF veneer center. Mitered construction.

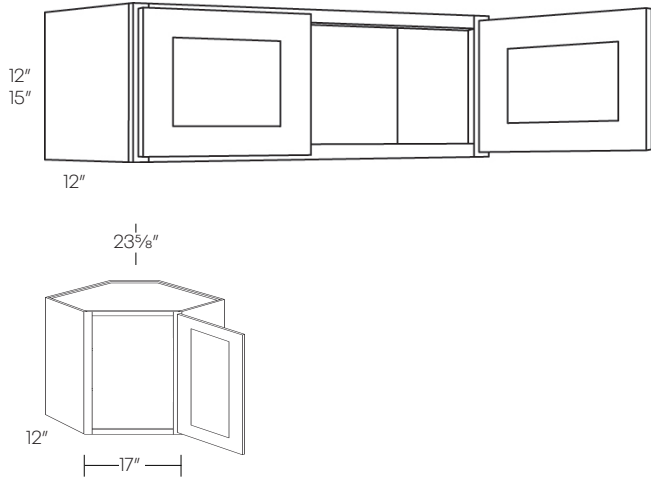


# **Specifications and Prices**

---

Concord Collection

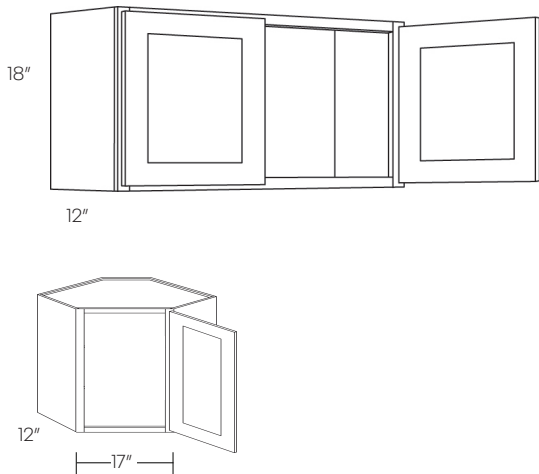
12"-15" High Wall Cabinet



Item Number	A	B	C
3012	428	454	479
3312	453	480	508
3612	493	523	553
1215 (one door)	275	311	330
1515 (one door)	294	327	347
1815 (one door)	317	344	365
2115 (one door)	339	361	383
CW2415 (one door)	634	671	711
2415	431	457	481
3015	444	471	498
3315	469	498	525
3615	540	573	604

- No Shelf
- Can be cut for glass

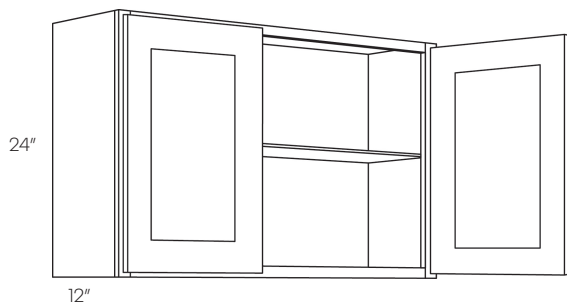
18" High Wall Cabinet



1218 (one door)	314	356	377
1518 (one door)	338	374	396
1818 (one door)	363	394	417
2118 (one door)	408	433	457
CW2418	725	769	816
2418	451	478	504
3018	474	502	531
3318	489	518	548
3618	559	593	626
3918*	626	N/A	N/A

- No Shelf
  - Can be cut for glass
- \*3918 only available in EB10

24" High Wall Cabinet

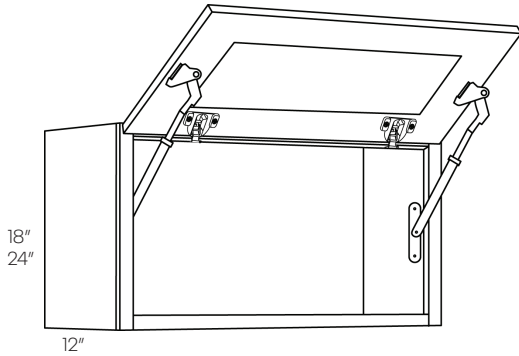


2424	607	645	681
2724	611	648	684
3024	620	657	693
3324	658	698	737
3624	706	748	791
3924*	734	N/A	N/A
4224	795	844	892

- Can be cut for glass
- \*3924 only available in EB10

Item Number	A	B	C
-------------	---	---	---

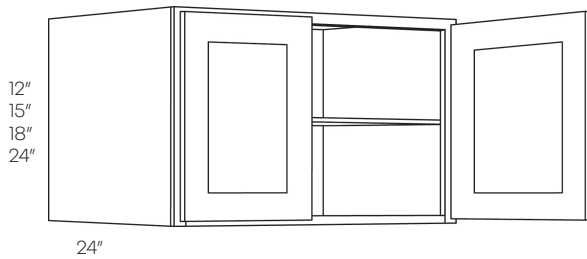
**Horizontal Wall Cabinet**



<b>3012-HD</b>	687	730	770
<b>3015-HD</b>	704	746	789
<b>3018-HD</b>	710	754	795
<b>3024-HD*</b>	878	931	984
<b>3612-HD</b>	753	797	843
<b>3615-HD</b>	798	847	895
<b>3618-HD</b>	818	868	917
<b>3624-HD*</b>	965	1024	1082

- \*Has one shelf
- Can be cut for glass

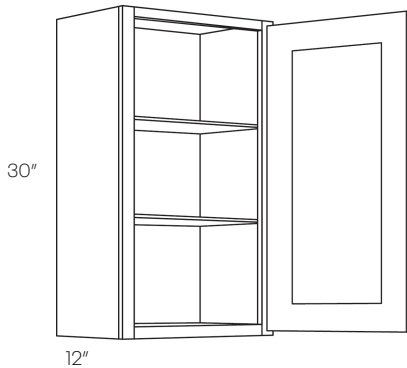
**24" Deep Wall Cabinet**



<b>3012X24</b>	603	640	677
<b>3015X24</b>	639	680	718
<b>3018X24</b>	676	717	758
<b>3021X24**</b>	754	N/A	N/A
<b>3024X24*</b>	831	880	930
<b>3312X24</b>	615	653	689
<b>3315X24</b>	672	712	754
<b>3318X24</b>	729	772	816
<b>3324X24*</b>	891	944	998
<b>3612X24</b>	663	705	744
<b>3615X24</b>	720	763	807
<b>3618X24</b>	774	822	869
<b>3624X24*</b>	955	1013	1071
<b>3924x24**</b>	1099	N/A	N/A

- Can be cut for glass
- \* Shelf only on 24" high cabinets
- \*\*Only available in EB10

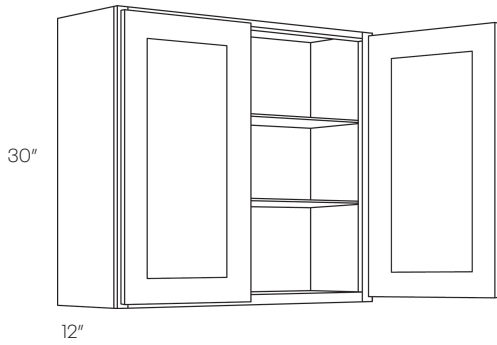
**30" High Single Door Wall Cabinet**



<b>930</b>	351	372	393
<b>1230</b>	392	416	439
<b>1530</b>	422	447	472
<b>1830</b>	475	503	532
<b>2130</b>	567	602	636

- Can be cut for glass
- MD available in PB as upgrade

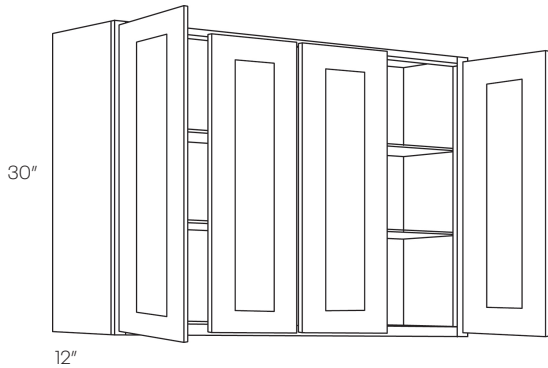
30" High Double Door Wall Cabinet



Item Number	A	B	C
2430	604	641	678
2730	667	708	747
3030	683	725	766
3330	745	791	835
3630	791	839	887
3930	855	907	959
4230	922	977	1033

- Can be cut for glass
- MD available in PB as upgrade

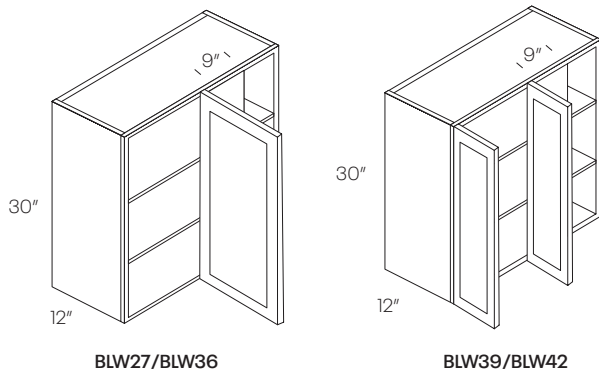
30" High 4 Door Wall Cabinet



4830	1037	1100	1162
------	------	------	------

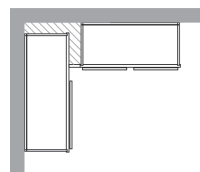
- Can be cut for glass

30" High Blind Wall Cabinet



BLW27/3030 (1 door)	861	913	964
BLW36/3930 (1 door)	1033	1095	1157
BLW39/4230	1127	1194	1263
BLW42/4530	1237	1312	1385

- Reversible left or right
- Can be cut for glass

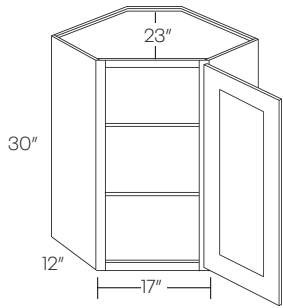


Cabinet	Min. Pull	Max. Pull	Actual Size	Door(s)	Door Opening
BLW27/3030	27"	30"	27"	1230	9" X 27"
BLW36/3930	36"	39"	36"	2130	18" X 27"
BLW39/4230	39"	42"	39"	2430	21" X 27"
BLW42/4530	42"	45"	42"	2730	24" X 27"

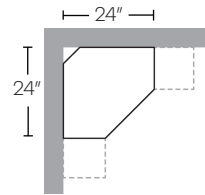
Item Number	A	B	C
-------------	---	---	---

**30" High Diagonal Corner Wall Cabinet**

CW2430	881	935	987
--------	-----	-----	-----

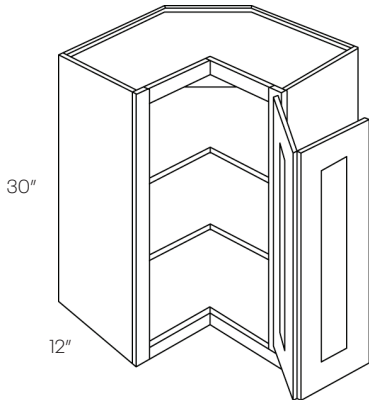


- Can be cut for glass
- 2430 uses 14<sup>1</sup>/<sub>16</sub>" door
- Requires 24" X 24" wall space
- MD available in PB as upgrade

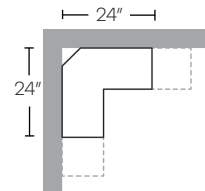


**30" High Corner Wall Cabinet**

WSQ2430	947	1003	1060
---------	-----	------	------

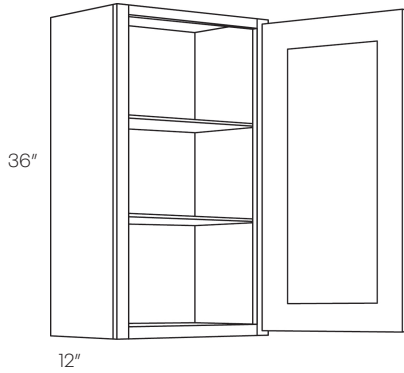


- Requires 24" X 24" wall space
- Pie is 12" X 12"





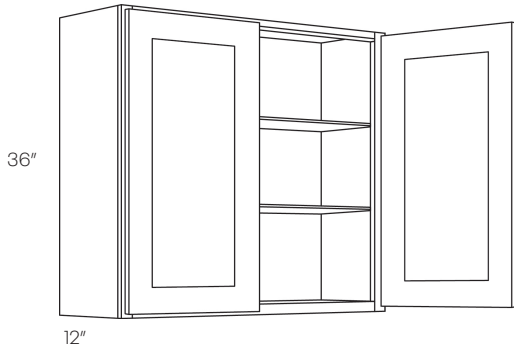
36" High Single Door Wall Cabinet



Item Number	A	B	C
936	422	447	472
1236	466	494	522
1536	507	539	569
1836	564	599	633
2136	678	719	760

- Can be cut for glass
- MD available in PB as upgrade

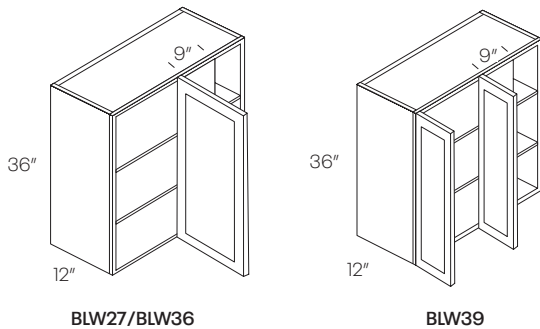
36" High Double Door Wall Cabinet



2436	722	766	809
2736	798	847	895
3036	833	884	934
3336	891	944	998
3636	942	999	1056
4236	1106	1172	1239

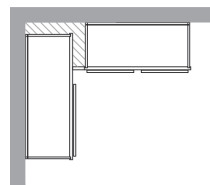
- Can be cut for glass
- MD available in PB as upgrade

36" High Blind Wall Cabinet



BLW27/3036	1002	1062	1122
BLW36/3936	1190	1263	1333
BLW39/4236	1319	1399	1479

- Reversible left or right
- Can be cut for glass

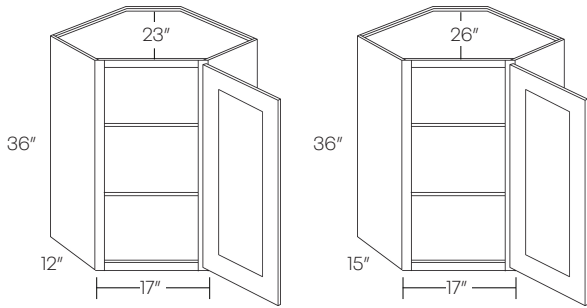


Cabinet	Min. Pull	Max. Pull	Actual Size	Door(s)	Door Opening
BLW27/3036	27"	30"	27"	1236	9" X 33"
BLW36/3936	36"	39"	36"	2136	18" X 33"
BLW39/4236	39"	42"	39"	2436	21" X 33"

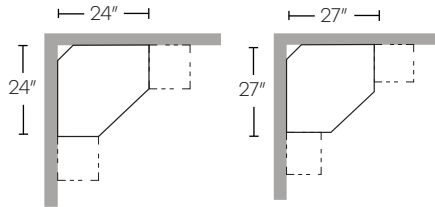
Item Number	A	B	C
-------------	---	---	---

**36" High Diagonal Corner Wall Cabinet**

<b>CW2436</b>	928	984	1039
<b>CW2736</b>	1084	1150	1215



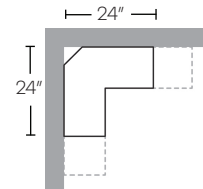
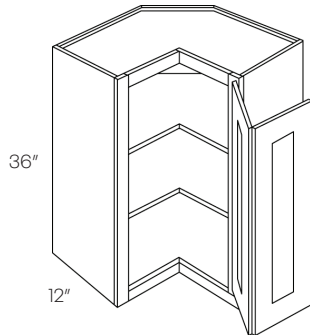
- Can be cut for glass
- 2430 uses 14<sup>11</sup>/<sub>16</sub>" door; 2730 uses 16<sup>3</sup>/<sub>16</sub>" door
- Requires 24" X 24" / 27" X 27" wall space
- MD available in PB as upgrade



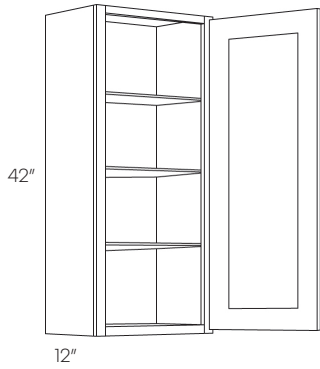
**36" High Corner Wall Cabinet**

<b>WSQ2436</b>	996	1056	1116
----------------	-----	------	------

- Requires 24" X 24" wall space
- Pie is 12" X 12"



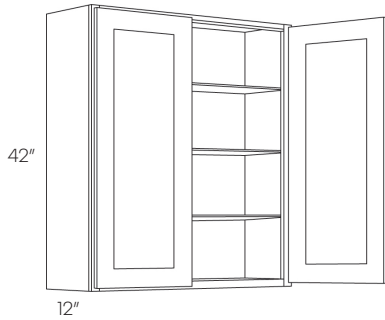
42" High Single Door Wall Cabinet



Item Number	A	B	C
942	470	499	527
1242	515	546	577
1542	565	600	634
1842	627	665	704
2142	752	796	842

- Can be cut for glass
- MD available in PB as upgrade

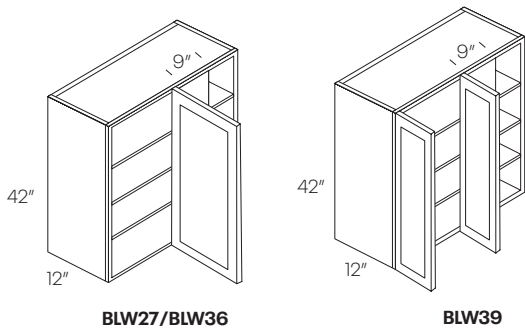
42" High Double Door Wall Cabinet



2442	807	855	903
2742	886	939	992
3042	917	973	1027
3342	987	1048	1107
3642	1046	1109	1171
4242	1216	1290	1362

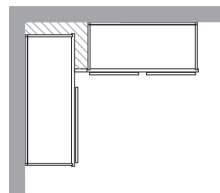
- Can be cut for glass
- MD available in PB as upgrade

42" High Blind Wall Cabinet



BLW27/3042	1116	1183	1250
BLW36/3942	1339	1420	1500
BLW39/4242	1463	1553	1641

- Can be cut for glass
- Reversible left or right

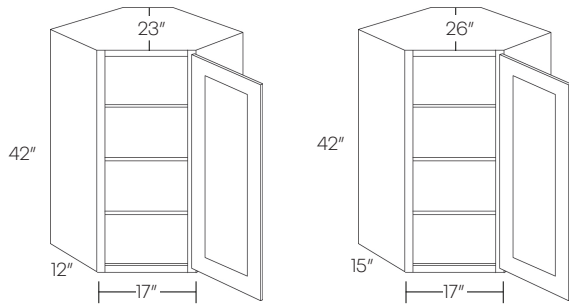


Cabinet	Min. Pull	Max. Pull	Actual Size	Door(s)	Door Opening
BLW27/3042	27"	30"	27"	1242	9" X 39"
BLW36/3942	36"	39"	36"	2142	18" X 39"
BLW39/4242	39"	42"	39"	2442	21" X 39"

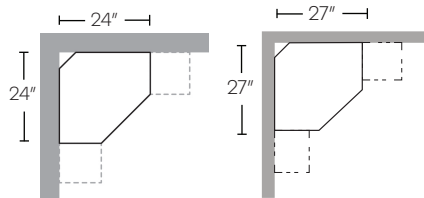
Item Number	A	B	C
-------------	---	---	---

**42" High 4 Door Wall Cabinet**

<b>CW2442</b>	1150	1220	1289
<b>CW2742</b>	1339	1420	1500

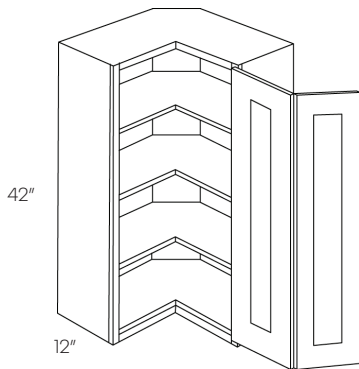


- Can be cut for glass
- 2430 uses 14<sup>1</sup>/<sub>16</sub>" door; 2730 uses 16<sup>3</sup>/<sub>16</sub>" door
- Requires 24" X 24" / 27" X 27" wall space
- MD available in PB as upgrade

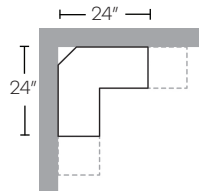


**42" High Corner Wall Cabinet**

<b>WSQ2442</b>	1234	1309	1383
----------------	------	------	------



- Requires 24" X 24"
- Pie is 12" X 12"

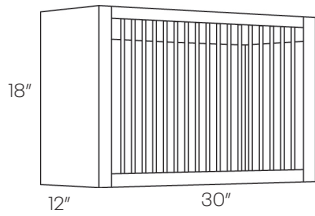


Item Number	A	B	C
-------------	---	---	---

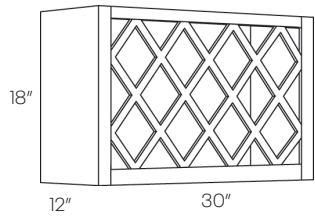
**Plate & Wine Rack Cabinet**

<b>PR3018</b>	593	593	593
<b>WR3018</b>	593	593	593
<b>WCX1818</b>	360	360	360
<b>SGH30</b>	192	192	192

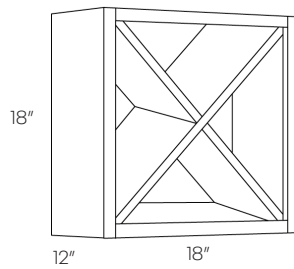
• Finished interior



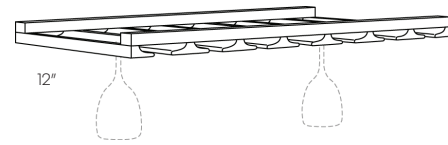
**PR3018**



**WR3018**



**WCX1818**

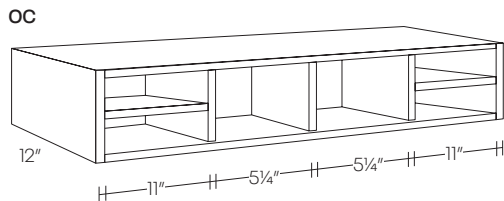
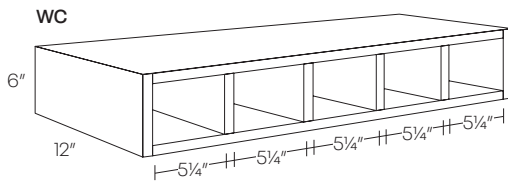


**SGH30**

**Organizer Cubby**

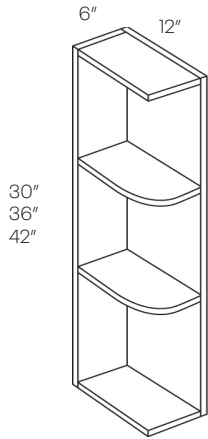
<b>OC36</b>	297	297	297
<b>WC30</b>	272	272	272
<b>WC36</b>	282	282	282

• Finished interior  
• Wood is 3/4" thick



Item Number	A	B	C
-------------	---	---	---

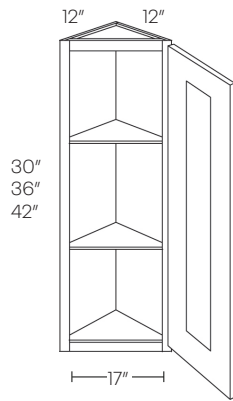
**Knick Knack Wall Shelf**



<b>WS30</b>	208	208	208
<b>WS36</b>	245	245	245
<b>WS42</b>	278	278	278

- Reversible
- Fixed shelves
- 42" Has 3 shelves

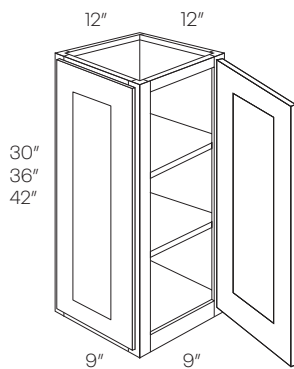
**Single Door Wall End Cabinet**



<b>WEC1230</b>	405	430	453
<b>WEC1236</b>	453	480	508
<b>WEC1242</b>	506	538	567

- 42" Has 3 shelves

**Double Door Wall End Cabinet**



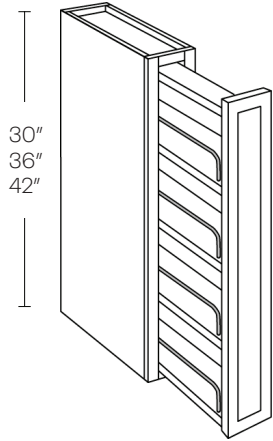
<b>WECD1230</b>	506	538	567
<b>WECD1236</b>	567	602	636
<b>WECD1242</b>	633	671	708

- 42" Has 3 shelves

Item Number	A	B	C
-------------	---	---	---

Wall Spice Cabinet

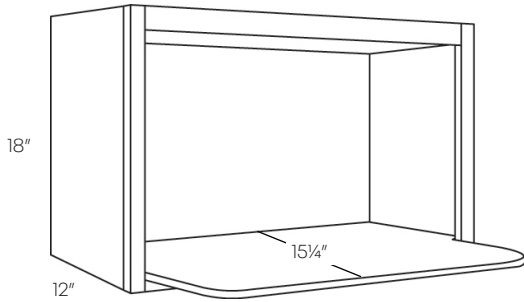
<b>WSP30</b>	450	477	503
<b>WSP36</b>	523	555	586
<b>WSP42</b>	553	586	621



- Cabinet is 6" wide

Microwave Cabinet

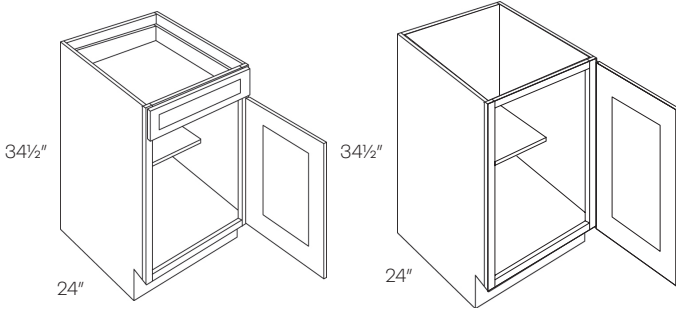
<b>MW3018</b>	507	507	507
---------------	-----	-----	-----



- Finished interior
- Opening 27" W X 14 1/4" H
- Shelf ships loose
- Depth of the shelf may be cut-down

Item Number	A	B	C
-------------	---	---	---

**Single Door & Drawer Base Cabinet**

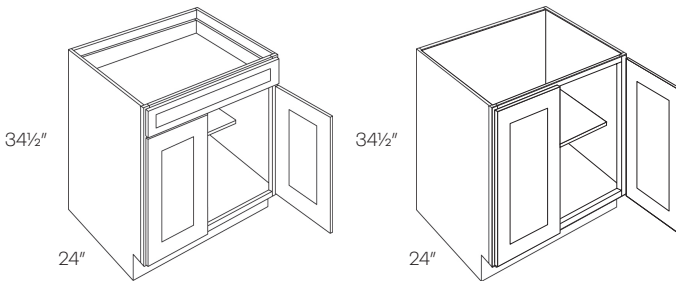


Full Height Door

<b>B9-FH</b>	563	598	632
<b>B9</b>	563	598	632
<b>B12</b>	635	674	711
<b>B15</b>	662	702	742
<b>B18</b>	698	739	782
<b>B21</b>	783	830	876

• Full height doors are available add 20%

**Single Drawer Double Door Base Cabinet**

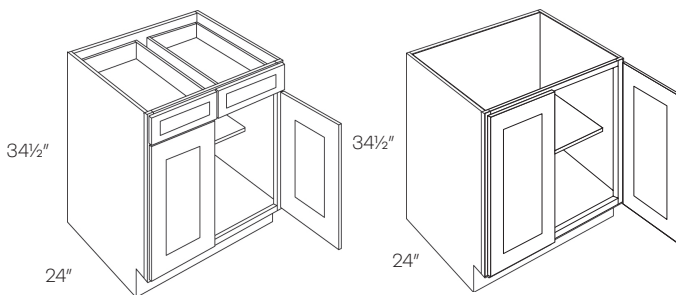


Full Height Door

<b>B24</b>	843	893	943
<b>B27</b>	922	977	1033

• Full height doors are available add 20%

**Double Drawer & Door Base Cabinet**



Full Height Door

<b>B30</b>	1046	1109	1171
<b>B33</b>	1110	1179	1244
<b>B36</b>	1160	1229	1299
<b>B39</b>	1225	1299	1373
<b>B42</b>	1294	1373	1451

• Full height doors are available add 20%

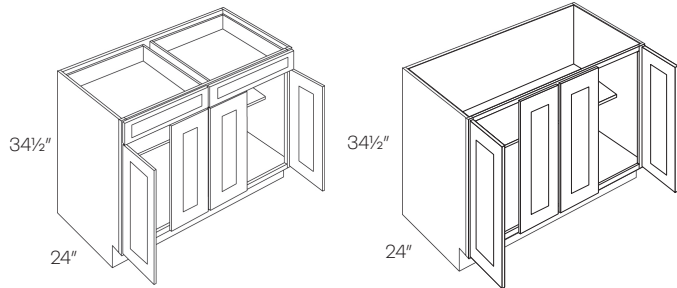


Item Number	A	B	C
-------------	---	---	---

**Double Drawer & 4 Door Base Cabinet**

<b>B48</b>	1434	1520	1607
------------	------	------	------

• Full height doors are available add 20%

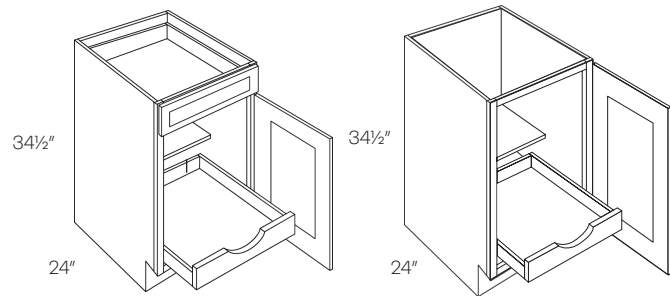


Full Height Door

**Single Door & Drawer Base Cabinet W/ 1 POS**

<b>B12-POS1</b>	927	983	1038
<b>B15-POS1</b>	962	1021	1079
<b>B18-POS1</b>	1020	1081	1142
<b>B21-POS1</b>	1117	1184	1251

• Full height doors are available add 20%  
 • Ball bearing soft close glides for POS  
 • POS has natural finish

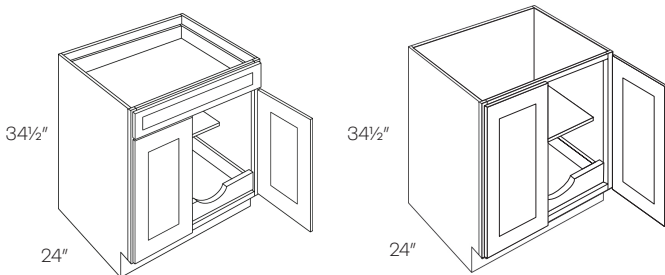


Full Height Door

**Single Drawer Double Door Base Cabinet W/1 POS**

<b>B24-POS1</b>	1206	1278	1351
<b>B27-POS1</b>	1295	1374	1452

• Full height doors are available add 20%  
 • Ball bearing soft close glides for POS  
 • POS has natural finish

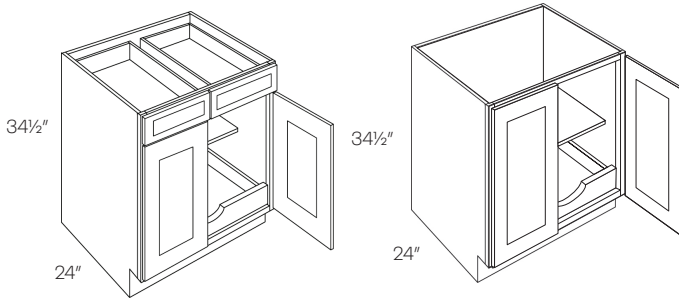


Full Height Door

Item Number	A	B	C
-------------	---	---	---

**Double Drawer & Door Base Cabinet W/1 POS**

<b>B30-POS1</b>	1433	1519	1605
<b>B33-POS1</b>	1509	1601	1691
<b>B36-POS1</b>	1580	1674	1770
<b>B42-POS1</b>	1862	1974	2087

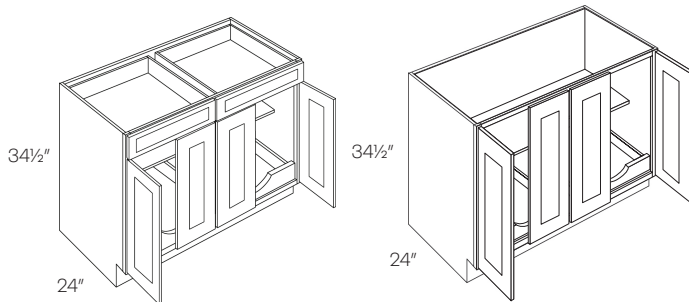


Full Height Door

- Full height doors are available add 20%
- Ball bearing soft close glides for POS
- POS has natural finish

**Double Drawer & 4 Door Base Cabinet W/2 POS**

<b>B48-POS2 (Has 2 POS)</b>	2061	2183	2307
-----------------------------	------	------	------

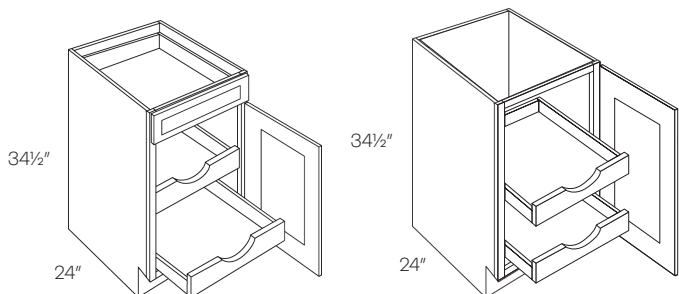


Full Height Door

- Has two POS
- Full height doors are available add 20%
- Ball bearing soft close glides for POS
- POS has natural finish

**Single Door & Drawer Base Cabinet W/ 2 POS**

<b>B12-POS2</b>	1119	1186	1253
<b>B15-POS2</b>	1164	1234	1304
<b>B18-POS2</b>	1242	1316	1391
<b>B21-POS2</b>	1351	1433	1512



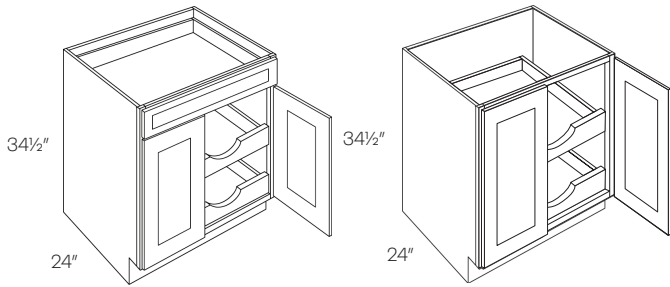
Full Height Door

- Full height doors are available add 20%
- Ball bearing soft close glides for POS
- POS has natural finish

Item Number	A	B	C
-------------	---	---	---

**Single Drawer Double Door Base Cabinet W/2 POS**

<b>B24-POS2</b>	1468	1558	1645
<b>B27-POS2</b>	1569	1665	1758

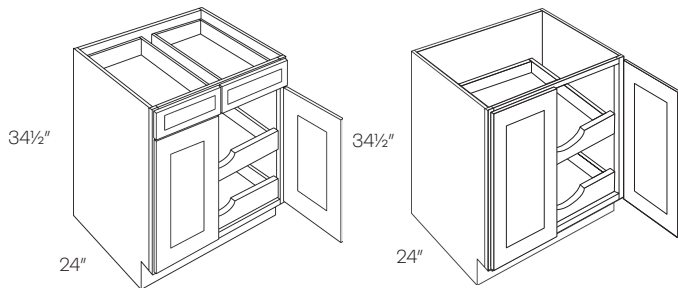


Full Height Door

- Full height doors are available add 20%
- Ball bearing soft close glides for POS
- POS has natural finish

**Double Drawer & Door Base Cabinet W/2 POS**

<b>B30-POS2</b>	1720	1823	1927
<b>B33-POS2</b>	1809	1918	2026
<b>B36-POS2</b>	1899	2013	2127
<b>B42-POS2</b>	2430	2577	2722

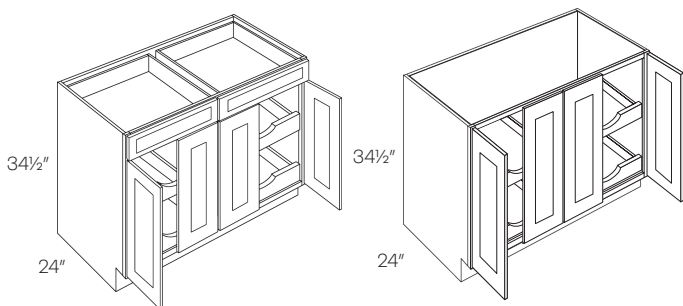


Full Height Door

- Full height doors are available add 20%
- Ball bearing soft close glides for POS
- POS has natural finish

**Double Drawer & 4 Door Base Cabinet W/4 POS**

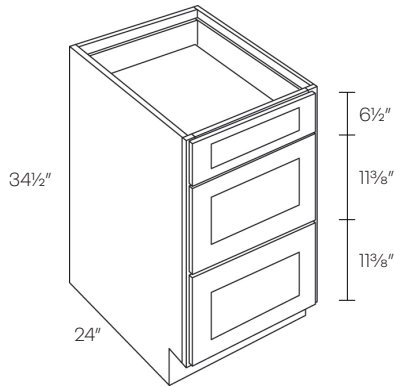
<b>B48-POS4</b>	2685	2848	3009
-----------------	------	------	------



Full Height Door

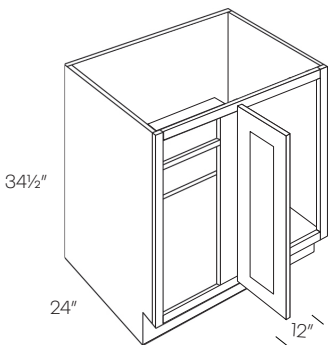
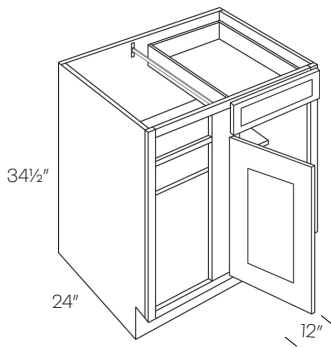
- Has four POS
- Full height doors are available add 20%
- Ball bearing soft close glides for POS
- POS has natural finish

**3 Drawer Base Cabinet**



Item Number	A	B	C
<b>DB12</b>	1006	1067	1128
<b>DB15</b>	1047	1110	1172
<b>DB18</b>	1075	1140	1205
<b>DB21</b>	1109	1178	1243
<b>DB24</b>	1146	1216	1286
<b>DB27</b>	1203	1275	1348
<b>DB30</b>	1236	1311	1384
<b>DB33</b>	1297	1375	1453
<b>DB36</b>	1349	1431	1504

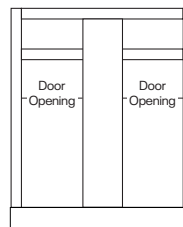
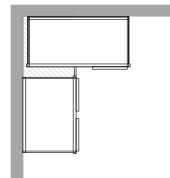
**Blind Base Cabinet**



Full Height Door

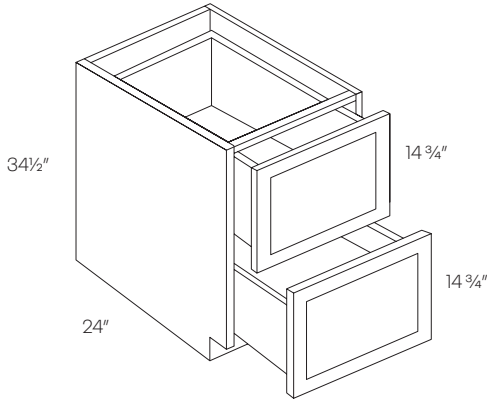
<b>BLB36/39</b>	1100	1166	1232
<b>BLB39/42</b>	1130	1197	1266
<b>BLB42/45</b>	1209	1281	1354
<b>BLB45/48</b>	1315	1395	1474

- Reversible Left or Right
- Must be pulled to the minimum position
- \* Left blind shown



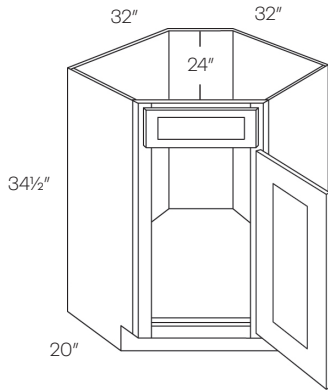
Cabinet	Min. Pull	Max. Pull	Actual Size	Door(s)	Door Opening
BLB36/39	36"	39"	27"	B9	6"
BLB39/42	39"	42"	33"	B12	9"
BLB42/45	42"	45"	39"	B15	12"
BLB45/48	45"	48"	45"	B18	15"

2 Drawer Base Cabinet



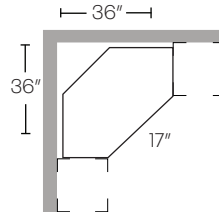
Item Number	A	B	C
DB24-2	1146	1216	1286
DB30-2	1236	1311	1384
DB33-2	1297	1375	1453
DB36-2	1349	1431	1504

Diagonal Corner Sink Base Cabinet

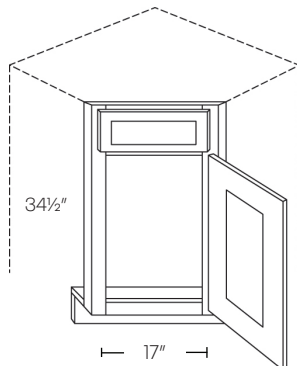


CSB36	1552	1645	1738
-------	------	------	------

• Requires 36" X 36" wall space

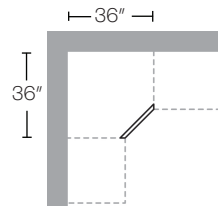


Diagonal Corner Sink Front



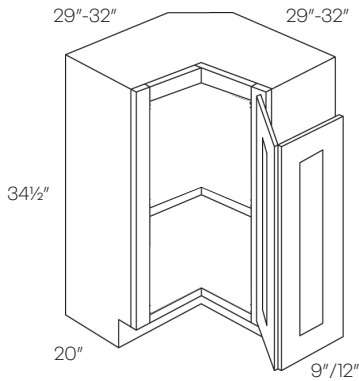
CSF36*	444	471	498
CSFFL36 (Floor)	155	155	155

\*Requires 36" X 36" wall space  
\*Requires a floor (sold separately)



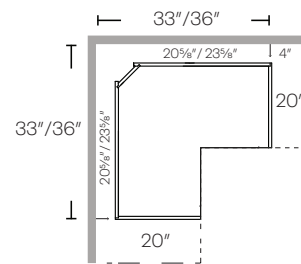
Item Number	A	B	C
-------------	---	---	---

**Easy Reach Corner Base Cabinet**

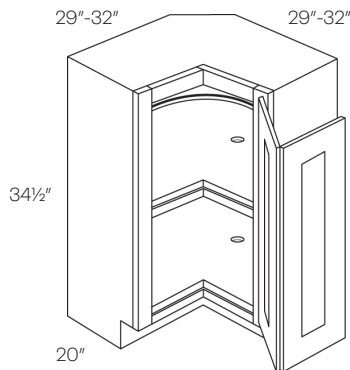


<b>BSQC33R</b>	1595	1692	1788
<b>BSQC33L</b>	1595	1692	1788
<b>BSQC36R</b>	1595	1692	1788
<b>BSQC36L</b>	1595	1692	1788

• Requires 33" X 33" / 36" X 36" wall space

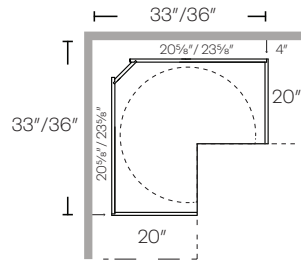


**Lazy Susan Corner Base Cabinet**

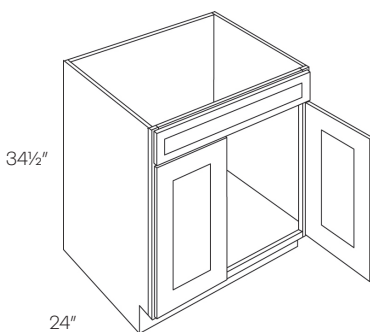


<b>CAR33R</b>	2065	2189	2314
<b>CAR33L</b>	2065	2189	2314
<b>CAR36R</b>	2065	2189	2314
<b>CAR36L</b>	2065	2189	2314

• Requires 33" X 33" / 36" X 36" wall space  
 • Pie is 9" X 9" / 12" X 12"  
 • Wooden Lazy Susan

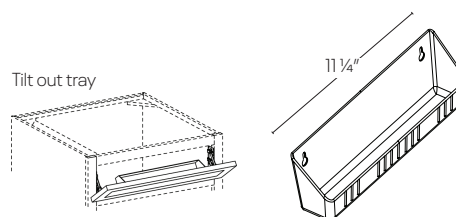


**1 Drawer Front 2 Door Sink Base Cabinet**

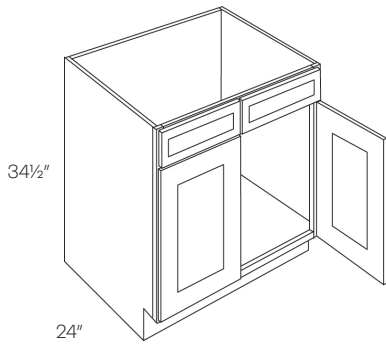


<b>SB24</b>	777	823	870
<b>SB27</b>	839	890	940
<b>TOT*</b>	243	243	243

\* Factory Installed

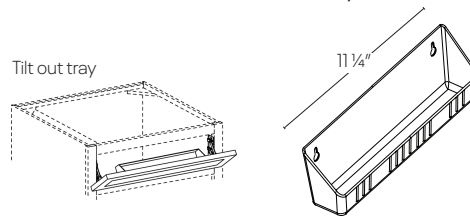


Double Drawer Front 2 Door Sink Base Cabinet

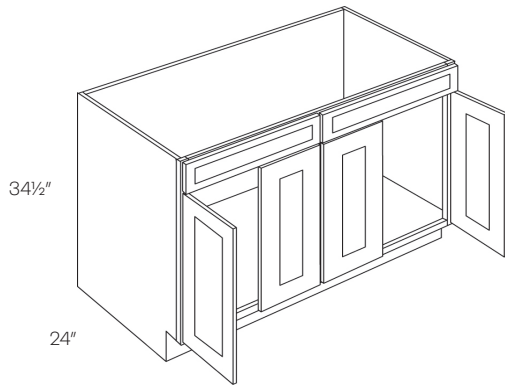


Item Number	A	B	C
SB30	888	941	995
SB33	949	1006	1062
SB36	959	1017	1075
SB39	1023	1084	1145
SB42	1047	1110	1172
TOT*	243	243	243

\*Factory Installed  
 \*Cabinets include two 11 1/4" tilt out trays

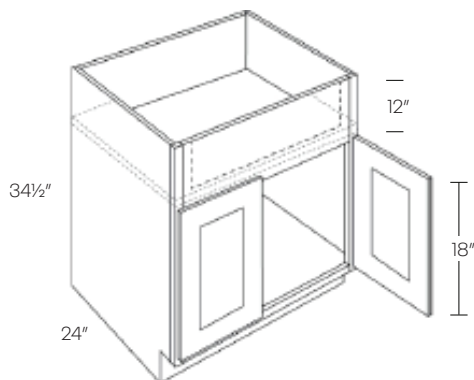


Double Drawer Front 4 Door Sink Base Cabinet



SB48	1171	1243	1313
------	------	------	------

Double Door Farm Sink Base Cabinet

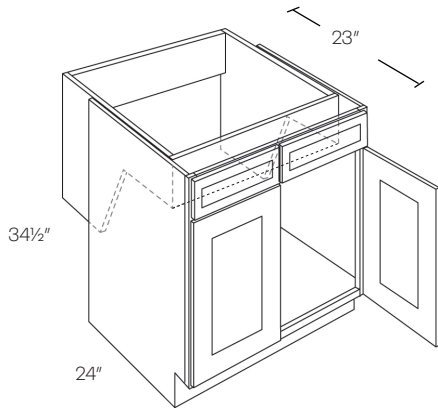


SB30-FS	944	999	1052
SB33-FS	1006	1063	1120
SB36-FS	1016	1075	1132

- Max trimmable 27"/30"/33" X 10"
- Trimming to be done in field
- Has a fixed platform

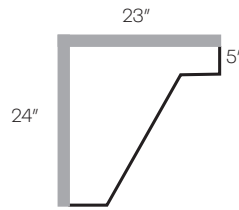
Item Number	A	B	C
-------------	---	---	---

**Double Door Handicap Removable Sink Base Cabinet**

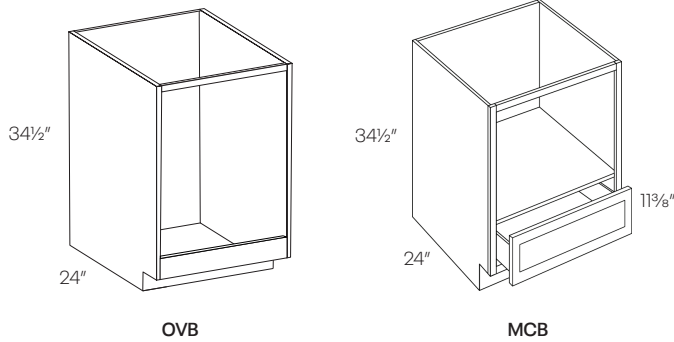


<b>SB30-HR</b>	1329	1410	1488
<b>SB33-HR</b>	1386	1472	1554
<b>SB36-HR</b>	1443	1530	1616

\* Factory Installed  
\*\*Not ADA compliant



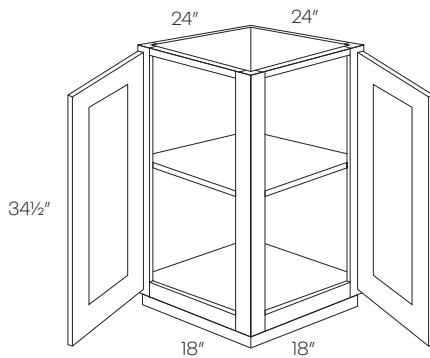
**Oven Base & Microwave Base Cabinet**



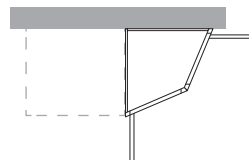
<b>OV30</b>	681	721	762
<b>MCB24*</b>	1146	1216	1286
<b>MCB27*</b>	1191	1264	1335
<b>MCB30*</b>	1236	1311	1384

• OV front opening is 27"x27"  
• MC front opening is 21"x16" / 24"x16" / 27"x16"  
\*Finished interior

**Base End Cabinet**



<b>BEC24</b>	784	832	878
--------------	-----	-----	-----

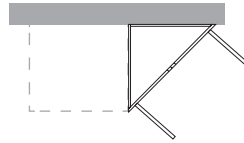
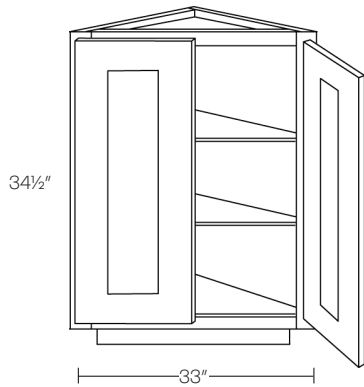




Item Number	A	B	C
-------------	---	---	---

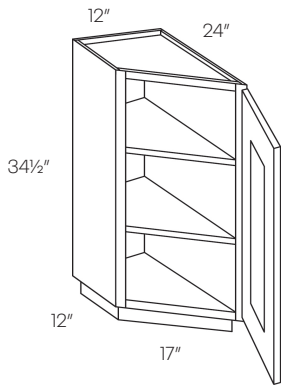
**Straight Base End Cabinet**

<b>BECS24</b>	784	832	878
---------------	-----	-----	-----

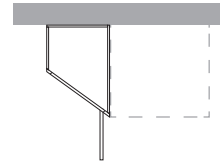


**Angle Base End Cabinet**

<b>BTC2412</b>	636	674	712
----------------	-----	-----	-----

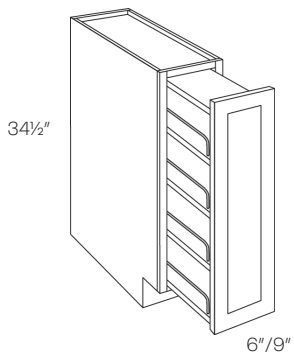


- Reversible
- Loose toe kick
- Hinged on 24"



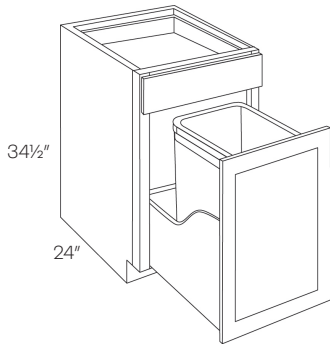
**Base Spice Cabinet**

<b>BSP6</b>	528	560	592
<b>BSP9</b>	1075	1140	1205

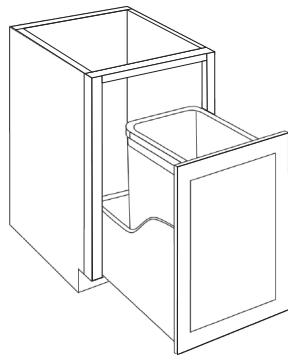


Item Number	A	B	C
<b>BWBK15</b> (Single basket)	1076	1141	1206
<b>BWBK15-FH</b> (Single basket)	1241	1370	1446
<b>BWBK18</b> (Double basket)	1140	1208	1276
<b>BWBK18-FH</b> (Double basket)	1367	1449	1531
<b>BWBK21-FH</b>	1394	1477	1560

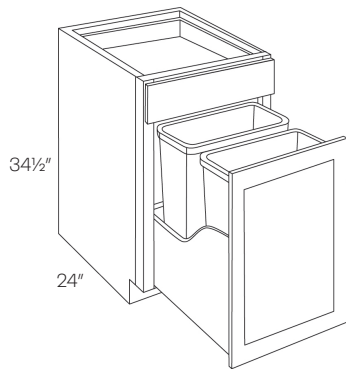
**Waste Basket Cabinet**



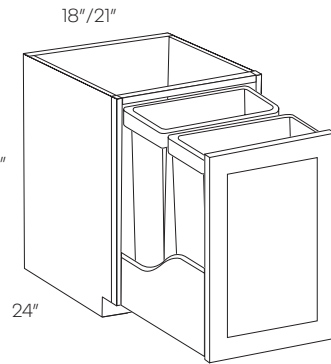
**BWBK15**



**BWBK15-FH**



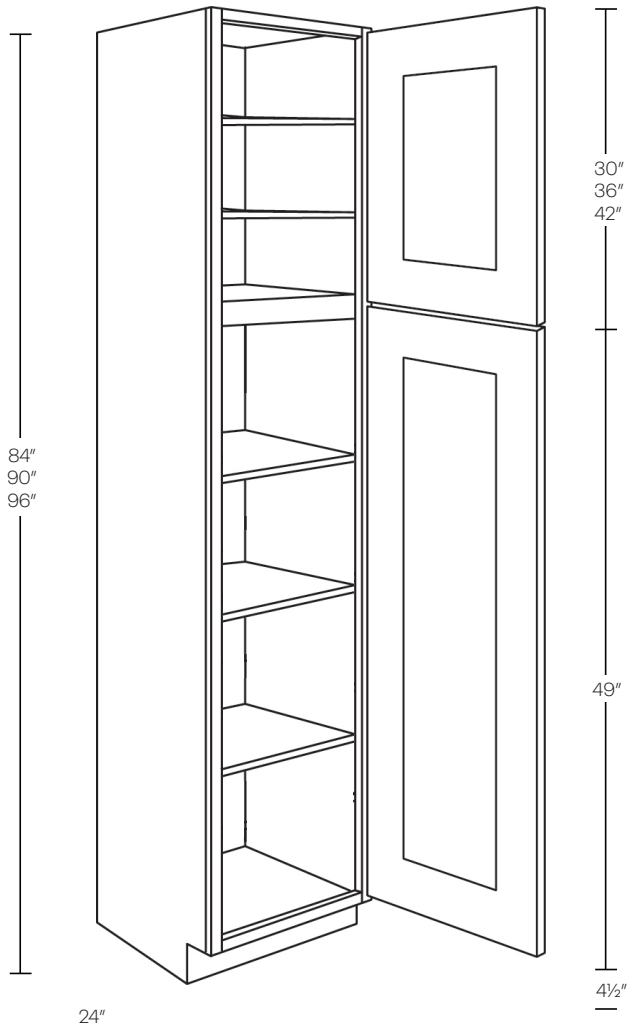
**BWBK18**



**BWBK21-FH/ BWBK18-FH**

- Soft-close hinges and glides
- Includes 35qt. waste basket (BK18 includes two waste baskets)
- Full Height Waste Basket includes two 50qt. waste baskets

Single Door Utility Cabinet

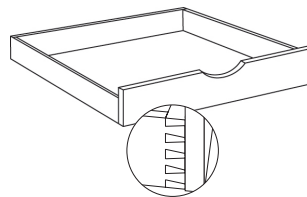


Item Number	A	B	C
UC1521X84	1905	2020	2134
UC1524X84	1905	2020	2134
UC1524X90	2097	2223	2348
UC1524X96*	2306	2445	2583
UC1821X84	2007	2128	2249
UC1824X84	2007	2128	2249
UC1824X90	2102	2341	2473
UC1824X96*	2428	2575	2720
POS15-3 (factory installed)	743	743	743
POS15-4 (factory installed)	1002	1002	1002
POS18-3 (factory installed)	866	866	866
POS18-4 (factory installed)	1088	1088	1088

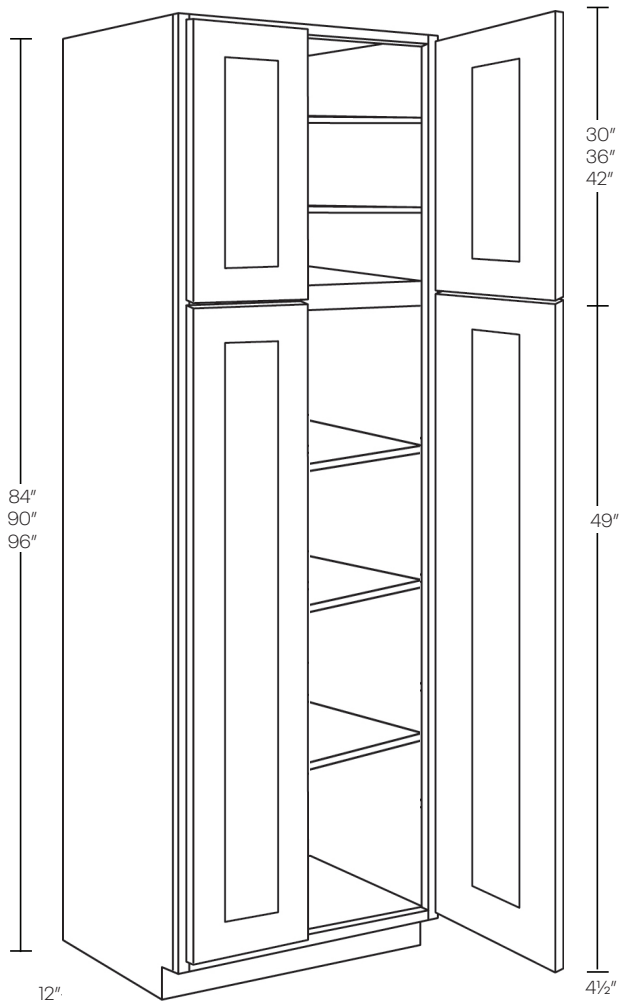
- POS price is addition to cabinet list price
- POS uses dovetail construction
- POS has natural finish
- 4 bottom adjustable shelves

\*84" and 90" have 2 upper shelves  
 \*96" has 3 upper shelves

Pull Out Shelf



Double Door Utility Cabinet

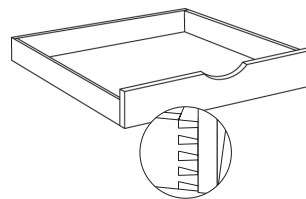


Item Number	A	B	C
UC2412X84	2068	2194	2317
UC2412X90	2275	2412	2549
UC2412X96*	2502	2653	2802
UC2424X84	2344	2486	2625
UC2424X90	2580	2735	2890
UC2424X96*	2838	3008	3178
UC3024X84	2478	2734	2889
UC3024X90	2839	3009	3180
UC3024X96*	3119	3307	3494
POS24-3 (factory installed)	989	989	989
POS24-4 (factory installed)	1253	1253	1253
POS30-3 (factory installed)	1062	1062	1062
POS30-4 (factory installed)	1349	1349	1349

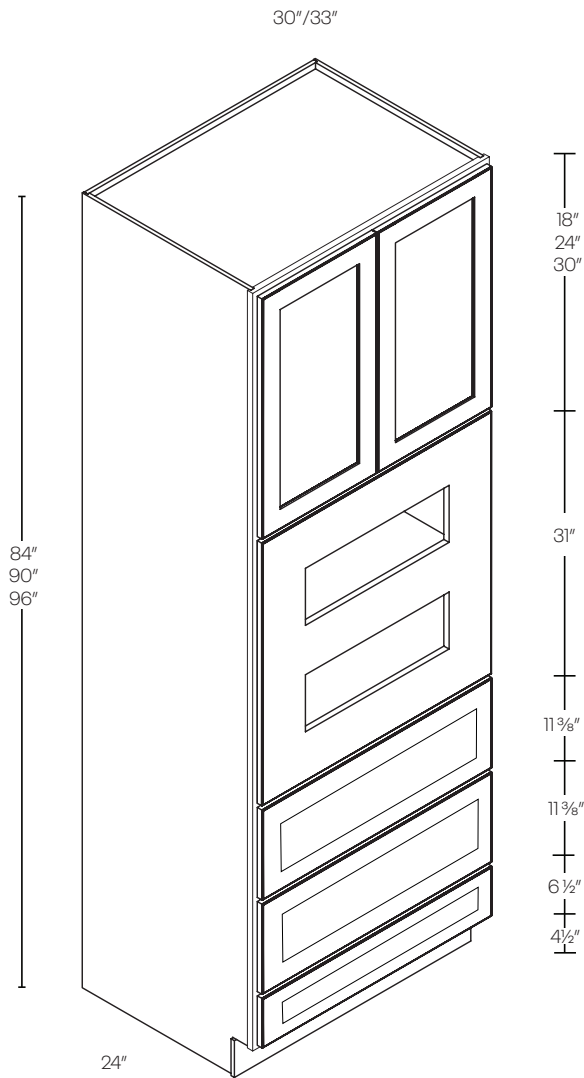
- POS price is addition to cabinet list price
- POS uses dovetail construction
- POS has natural finish
- 4 bottom adjustable shelves
- POS only available in 24" deep

\*84" and 90" have 2 upper shelves  
 \*96" has 3 upper shelves

Pull Out Shelf



Single Oven Cabinet

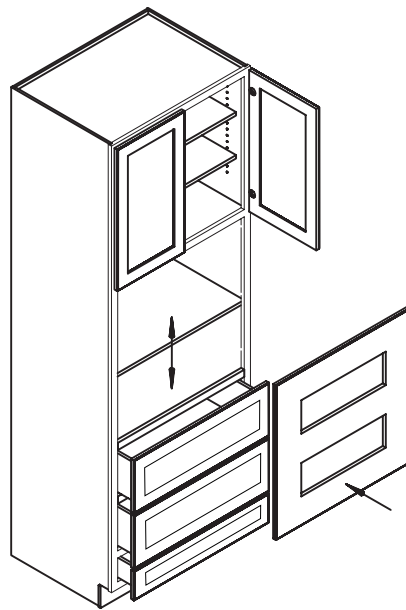


Item Number	A	B	C
OV3084	2397	2541	2685
OV3090	2547	2701	2852
OV3096*	2694	2855	3017
OV3384	2493	2643	2792
OV3390	2648	2807	2967
OV3396**	2801	2970	3138
OV30-TRM	500	500	500
OV33-TRM	540	540	540

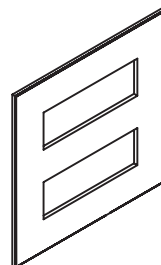
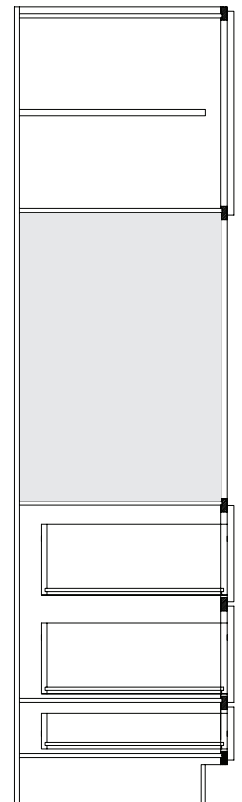
- Trimming to be done in field
- 84" and 90" has 1 upper shelves
- 96" has 2 upper shelves
- Remove drawers and floor as needed
- Center panel included

\*Maximum cut out width is 27" wide on 30"  
 \*\*Maximum cut out width is 30" wide on 33"

Assembly

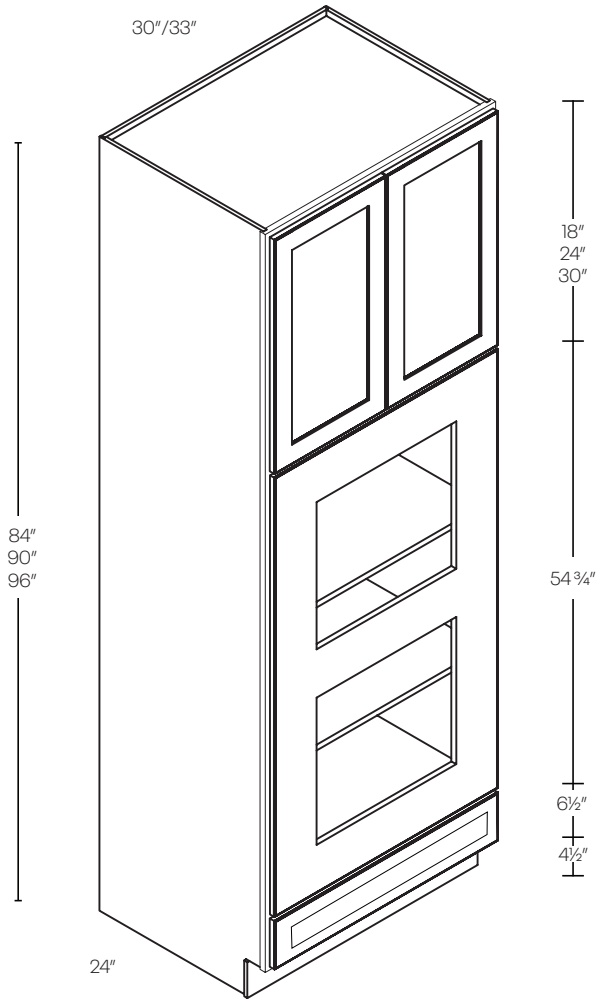


Side



OV30-TRM/OV33-TRM

Double Oven Cabinet

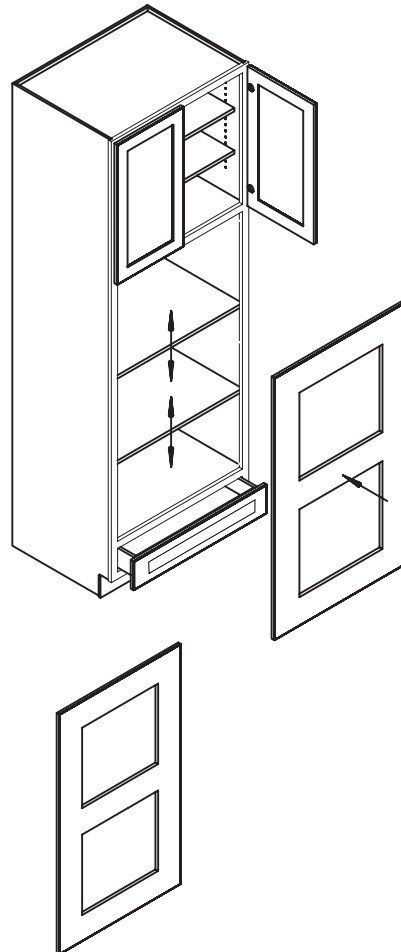


Item Number	A	B	C
OVD3084	2397	2541	2685
OVD3090	2547	2701	2852
OVD3096*	2694	2855	3017
OVD3384	2493	2643	2792
OVD3390	2648	2807	2967
OVD3396*	2801	2970	3138
OVD30-TRM	500	500	500
OVD33-TRM	540	540	540

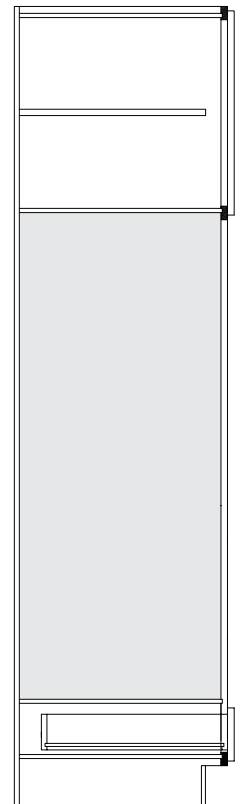
- Trimming to be done in field
- Shelves need to be adjusted and secured with screws
- 84" ad 90" has 1 upper shelves
- 96" has 2 upper shelves
- Center panel included

\*Maximum cut out width is 27" wide on 30"  
 \*\*Maximum cut out width is 30" wide on 33"

Assembly



Side

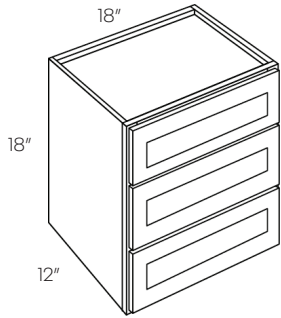


OVD30-TRM/OVD33-TRM

Item Number	A	B	C
-------------	---	---	---

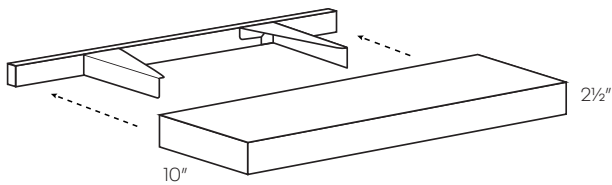
**Top Of Counter Cabinet**

<b>WD1818</b>	488	517	546
---------------	-----	-----	-----



**Floating Shelves**

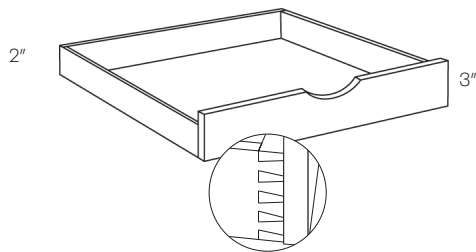
<b>F-SHELF-24</b>	483	483	483
<b>F-SHELF-30</b>	576	576	576
<b>F-SHELF-36</b>	668	668	668
<b>F-SHELF-42</b>	760	760	760



• Mounting hardware included

**Pull Out Shelf**

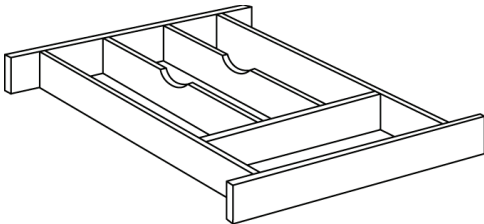
<b>POS12</b>	198	198	198
<b>POS15</b>	207	207	207
<b>POS18</b>	228	228	228
<b>POS21</b>	240	240	240
<b>POS24</b>	271	271	271
<b>POS27</b>	282	282	282
<b>POS30</b>	294	294	294
<b>POS33</b>	307	307	307
<b>POS36</b>	329	329	329
<b>POS42</b>	345	345	345



• Ball bearing soft-close glides included  
 • POS uses dovetail construction with a natural finish  
 • Natural finish

Item Number	Cabinet(s)	Price
-------------	------------	-------

**Wooden Cutlery Divider**

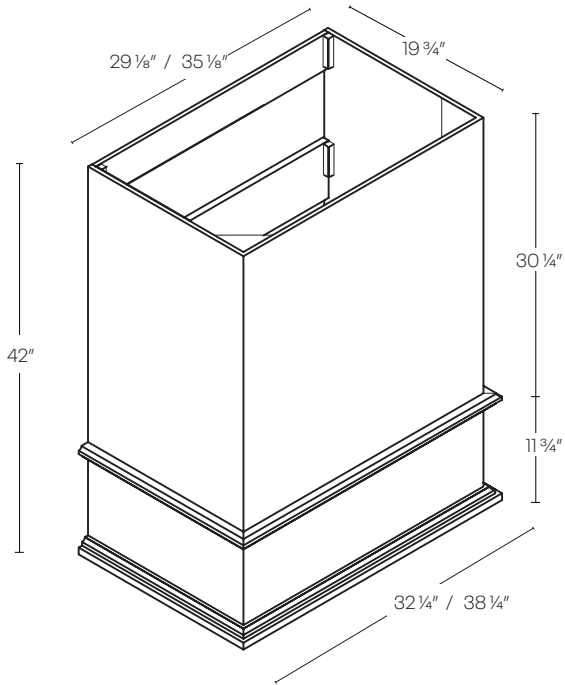


<b>WCD-14</b>	B33, B39	202
<b>WCD-16</b>	B15, B18, B21, B36	215
<b>WCD-25</b>	B24, B27, DB30	223
<b>WCD-7</b>	B12, BLB39/42	242

- To be trimmed on site
- \* Need to buy 2 pieces



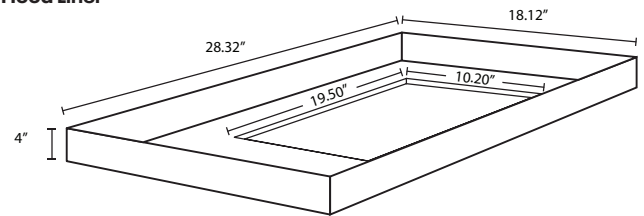
**Boxed Wood Hood**



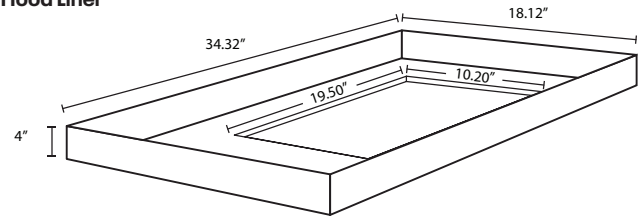
Item Number	A	B	C
<b>WHB30-T</b>	2500	2500	2500
<b>WHB36-T</b>	3000	3000	3000

•Liners Included

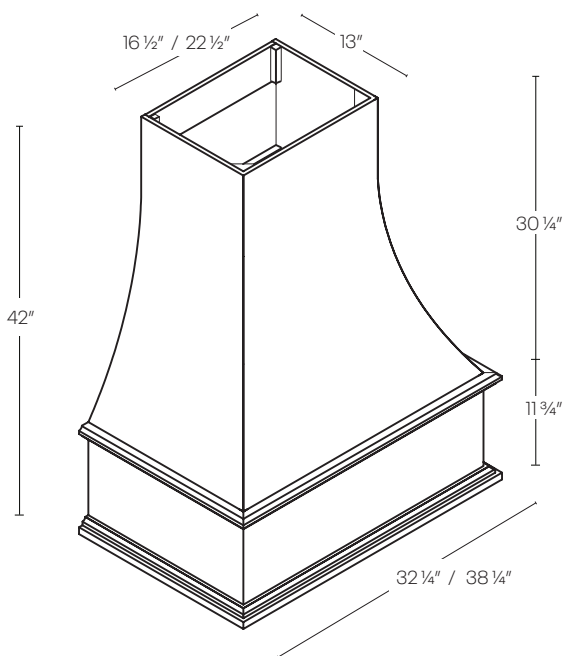
**30" Hood Liner**



**36" Hood Liner**



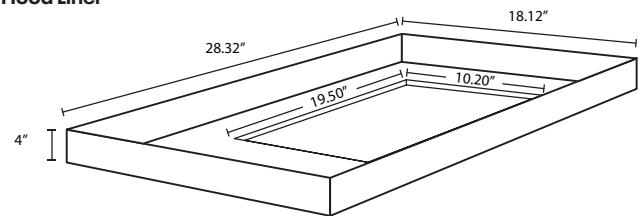
**Coved Wood Hood**



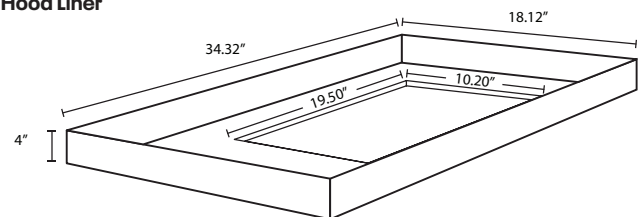
<b>WHC30-T</b>	2500	2500	2500
<b>WHC36-T</b>	3000	3000	3000

•Liners Included

**30" Hood Liner**

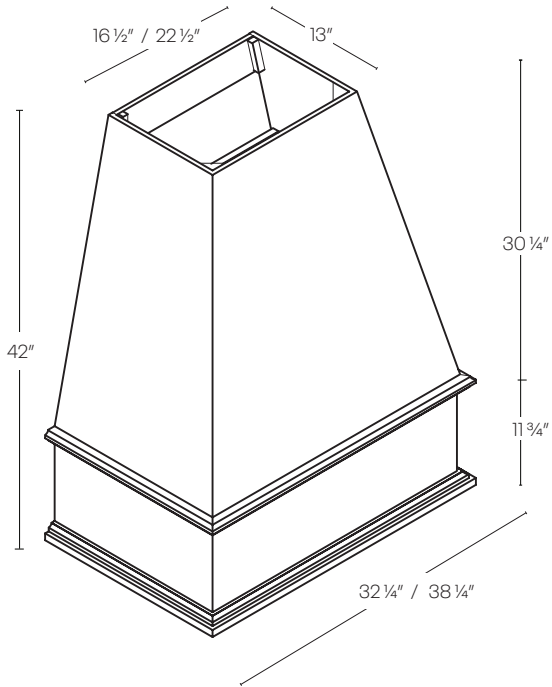


**36" Hood Liner**



Item Number	A	B	C
-------------	---	---	---

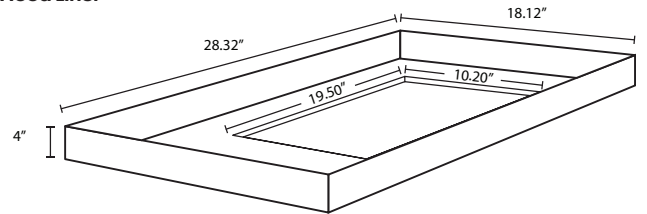
**Sloped Wood Hood**



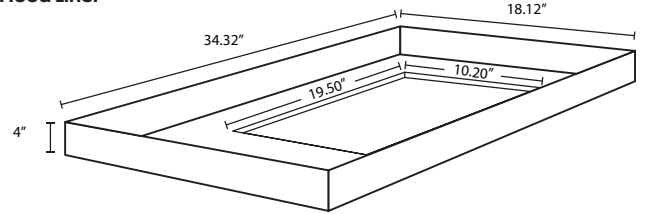
<b>WHS30-T</b>	2500	2500	2500
<b>WHS36-T</b>	3000	3000	3000

•Liners Included

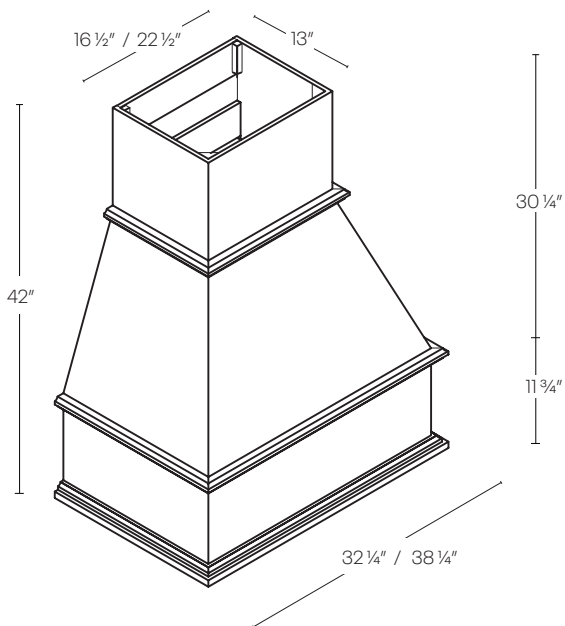
**30" Hood Liner**



**36" Hood Liner**



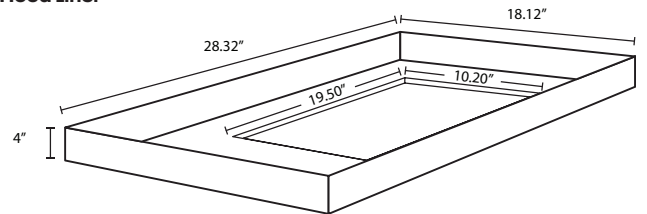
**Traditional Wood Hood**



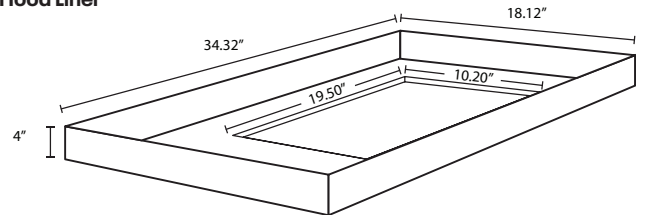
<b>WHT30-T</b>	2500	2500	2500
<b>WHT36-T</b>	3000	3000	3000

•Liners Included

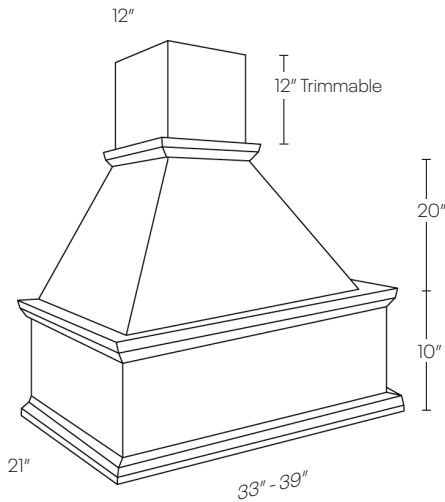
**30" Hood Liner**



**36" Hood Liner**



**Straight Wood Hood**

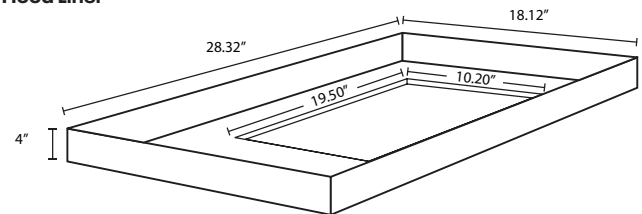


When purchasing your blower unit, check the requirements for your range or cooktop. Verify the blower will fit into the interior dimensions of the hood.

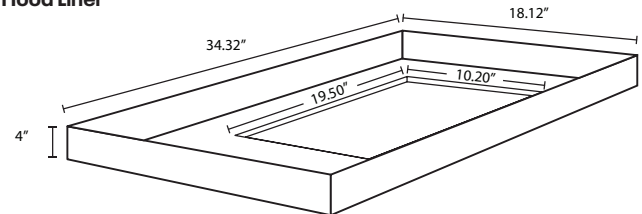
Item Number	A	B	C
<b>WHP30/33</b>	4403	4403	4403
<b>WHP36/39</b>	4752	4752	4752

- Inside dimensions all 18" deep by 27½" - 33½"
- Width from end to end is 33⅞" / 39⅞"
- Liners Included
- Blower not available

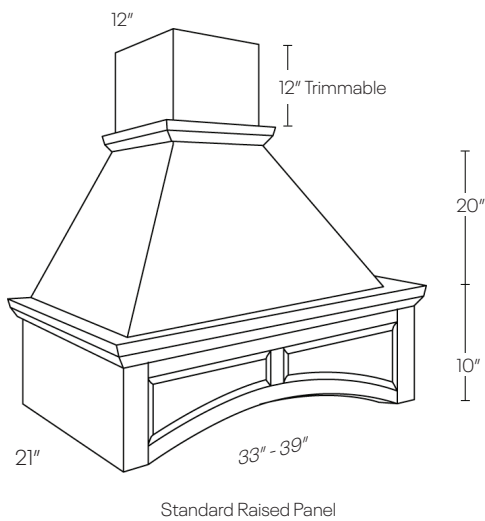
**30" Hood Liner**



**36" Hood Liner**



**Arched Wood Hood**

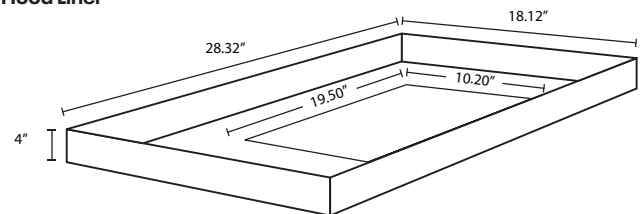


When purchasing your blower unit, check the requirements for your range or cooktop. Verify the blower will fit into the interior dimensions of the hood.

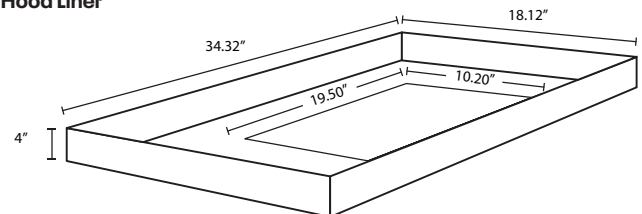
<b>WHA30/33</b>	4403	4403	4403
<b>WHA36/39</b>	4752	4752	4752

- Inside dimensions all 18" deep by 27½" - 33½"
- Width from end to end is 33⅞" / 39⅞"
- Liners Included
- Blower not available

**30" Hood Liner**

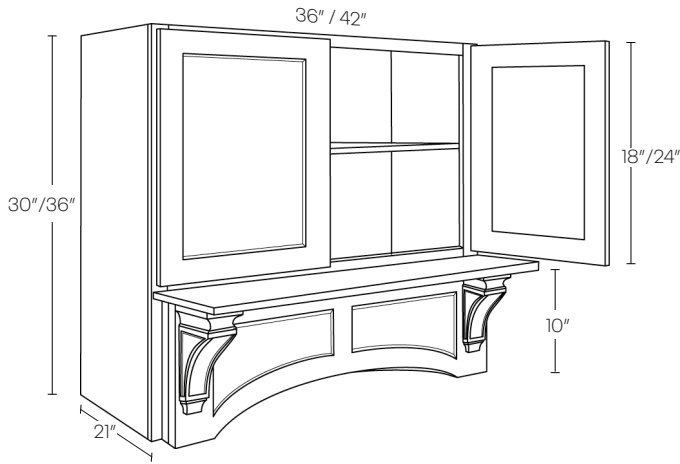


**36" Hood Liner**



Item Number	A	B	C
-------------	---	---	---

Mantle Hood



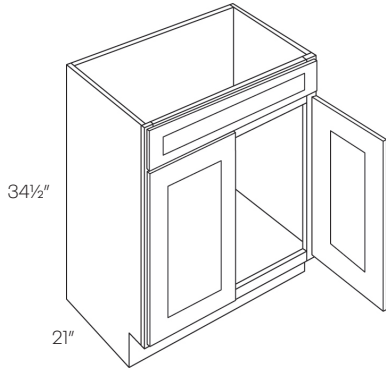
<b>WACC3630X21</b>	4339	4339	4339
<b>WACC4230X21</b>	4683	4683	4683
<b>WACC3636X21</b>	4470	4470	4470
<b>WACC4236X21</b>	4815	4815	4815

- Inside dimensions are 20¼" deep by 34¼"/401/4"/461/4"
- Shelf is 5" deep
- Blower not available
- Liner not included



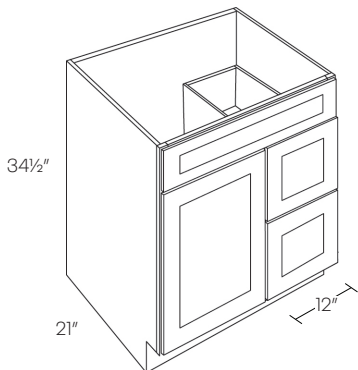
WACC

**Double Door Vanity Sink Base Cabinet**



Item Number	A	B	C
V24	718	761	805
V27	813	N/A	N/A
V30	814	864	913
V33	857	N/A	N/A
V36	900	954	1008
V42	1002	N/A	N/A

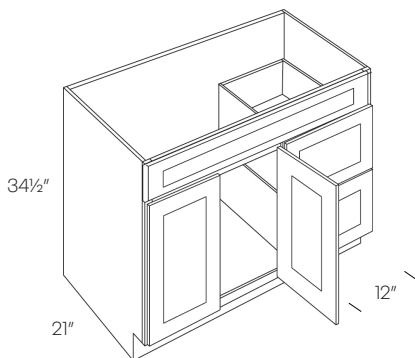
**1 Door 2 Drawer Vanity Sink Base Cabinet**



V30DL	1146	1216	1286
V30DR	1146	1216	1286

• Right Drawer Shown

**2 Door 2 Drawer Vanity Sink Base Cabinet**



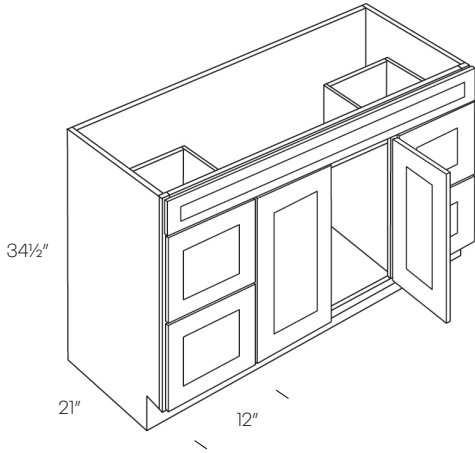
V36DL	1178	1247	1318
V36DR	1178	1247	1318
V42DL	1317	1397	1476
V42DR	1317	1397	1476

• Right Drawer Shown

Item Number	A	B	C
-------------	---	---	---

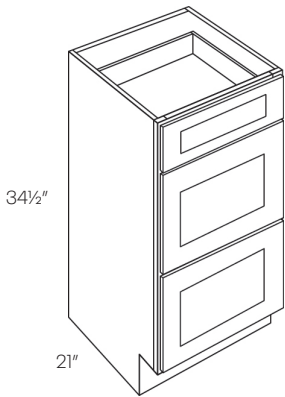
**Double Door & Drawer Vanity Sink Base Cabinet**

<b>V48DD</b>	1434	1520	1606
--------------	------	------	------



**Vanity Drawer Base Cabinet**

<b>VDB12</b>	907	939	1028
<b>VDB15</b>	947	1003	1060
<b>VDB18</b>	968	1026	1084
<b>VDB21*</b>	1010	N/A	N/A
<b>VDB24*</b>	1055	N/A	N/A

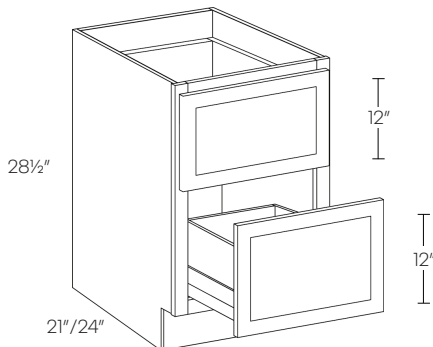


\* Available in Elegant only

**Desk Cabinet**

<b>DDC18x21</b>	969	1026	1084
<b>DDC18x24</b>	1075	1140	1208

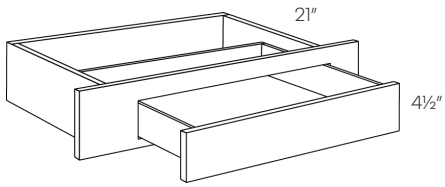
• Does not hold files



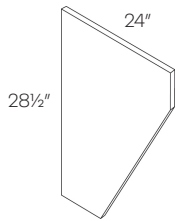
Item Number	A	B	C
-------------	---	---	---

**Desk Drawer**

<b>DD30</b>	319	338	357
<b>DS</b>	203	203	203

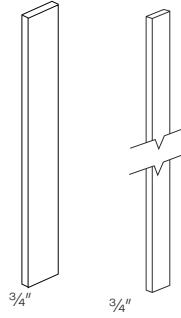


- 2 1/2" trimmable sides
- Drawer front is 22 1/2" wide
- Slab drawer front
- DS is 21"



	Item Number	A	B	C
<b>Filler</b>	F330	52	52	52
	F630	89	89	89
	F342	68	68	68
	F642	120	120	120
	F396	160	160	160
	F696	265	265	265

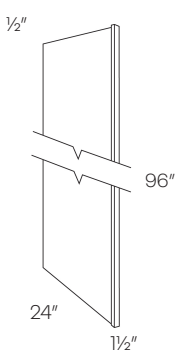
• Fillers finished on all 4 sides



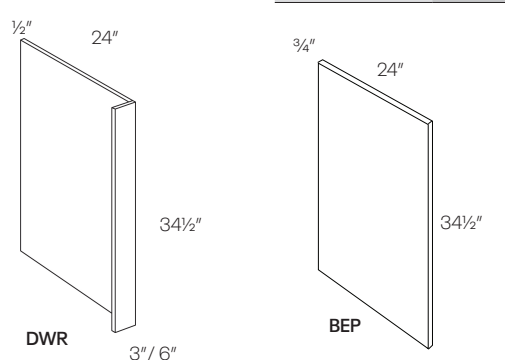
F330/F630/  
F342/F642      F396/F696

	Item Number	A	B	C
<b>Refrigerator End Panel</b>	REP196	518	518	518
	REP384	470	470	470
	REP390	494	494	494
	REP396	518	518	518
	UREP24	361	361	361
	UREP30	480	480	480
	UREP24-9	406	406	406
	UREP30-9	540	540	540
	UREP24-10	457	457	457
	UREP30-10	608	608	608
	UREP1.5x96x27	540	540	540

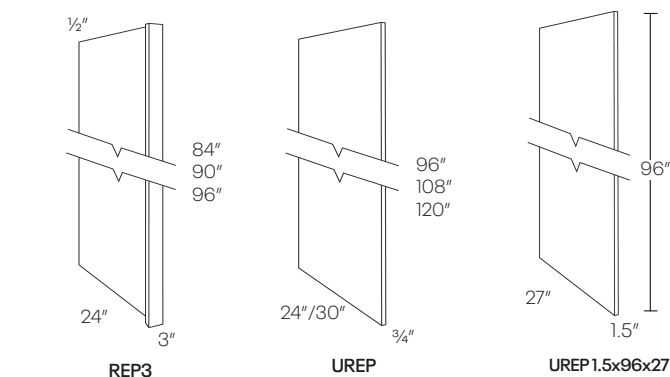
• Finished on one side



	Item Number	A	B	C
<b>Dishwasher Return Panel</b>	DWR3	272	272	272
	DWR6	302	302	302
	BEP	238	238	238



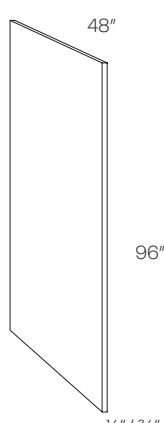
DWR      BEP



REP3      UREP      UREP 1.5x96x27

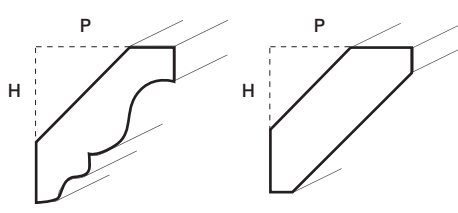
	Item Number	A	B	C
<b>Plywood Panel</b>	PLY4X8	410	410	410
	PLY4x8-3/4*	1323	1323	1323

\* Special order



	Item Number	A	B	C
<b>Crown Moldings</b>	CRM	141	141	141
	CRMS	141	141	141

• 8 Feet long

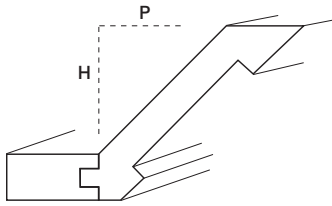


CRM  
Height: 2"  
Projection: 2"

CRMS  
Height: 2"  
Projection: 2"

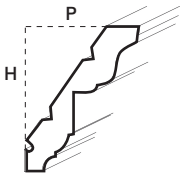


	Item Number	A	B	C
<b>Full Overlay Crown Moldings</b>	<b>MFLOCR</b>	400	400	400
		• 8 Feet long		

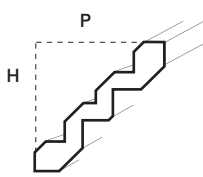


**MFLOCR**  
Height: 3/2"  
Projection: 2/2"

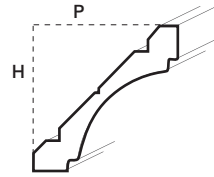
<b>Royal Crown Molding</b>	<b>RCRM</b>	397	397	397
	<b>RCRMS</b>	397	397	397
	<b>RCRMC</b>	397	397	397
		• 8 Feet long		



**RCRM**  
Height: 3/2"  
Projection: 2/2"

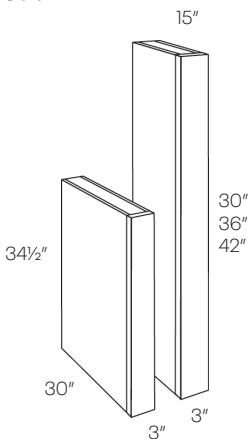


**RCRMS**  
Height: 3/8"  
Projection: 3/8"

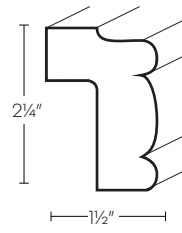


**RCRMC**  
Height: 3/8"  
Projection: 3/8"

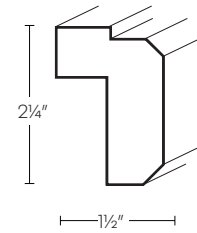
<b>Column</b>	<b>CLM-B30</b> (34 1/2"H X 30"D)	451	451	451
	<b>CLM-30X15</b> (30"H X 15"D)	228	228	228
	<b>CLM-36X15</b> (36"H X 15"D)	255	255	255
	<b>CLM-42X15</b> (42"H X 15"D)	283	283	283
		<ul style="list-style-type: none"> <li>• Trimmable</li> <li>• Finished 3 sides</li> </ul>		



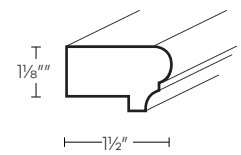
	Item Number	A	B	C
<b>Light Rail Molding</b>	<b>LTRM</b>	275	275	275
	<b>LTRMS</b>	275	275	275
	<b>LTRM1</b>	207	207	207
		• 8 Feet long		



**LTRM**

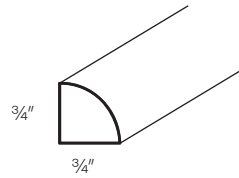


**LTRMS**

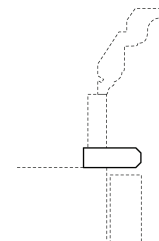
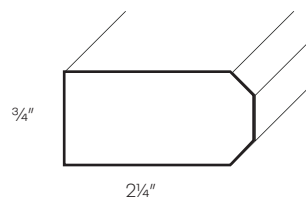


**LTRM1**

<b>Shoe Molding</b>	<b>SHM</b>	119	119	119
		• 8 Feet long		



<b>Trim Molding</b>	<b>TBMS</b>	130	130	130
		• 8 Feet long		



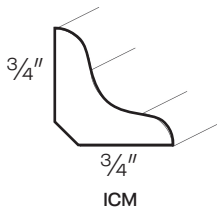
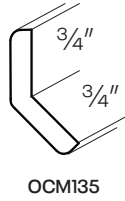
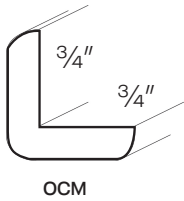
\*Suggested use

Item Number	A	B	C
-------------	---	---	---

Item Number	A	B	C
-------------	---	---	---

**Corner Molding**

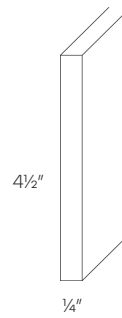
OCM	107	107	107
OCM135	107	107	107
ICM	107	107	107



**Toe Kick**

TKS	89	89	89
-----	----	----	----

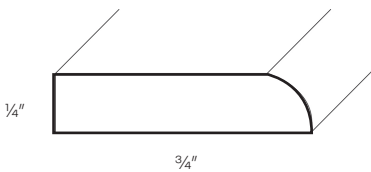
• 8 Feet long



**Scribe Molding**

SCM	87	87	87
-----	----	----	----

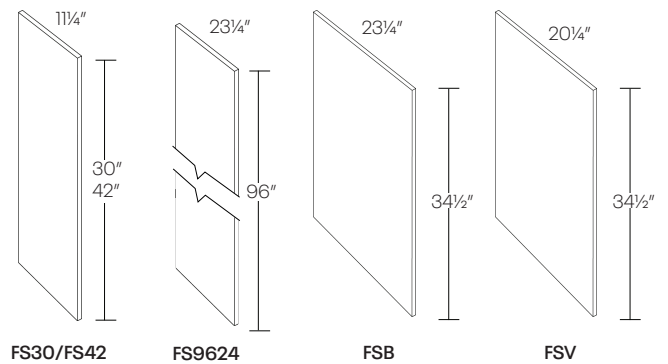
• 8 Feet long



**Finished Skin**

FS30	107	107	107
FS42	149	149	149
FS9624	283	283	283
FSB	139	139	139
FSV	138	138	138

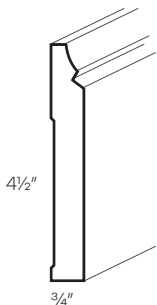
• 1/4" Thick



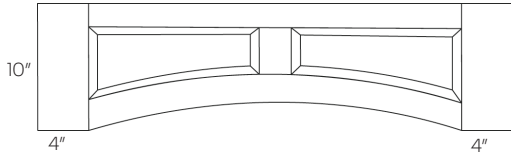
**Base Molding**

BSMS	283	283	283
------	-----	-----	-----

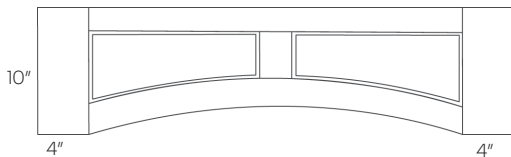
• 8 Feet long



Arched Valance



VALPR - Raised panel

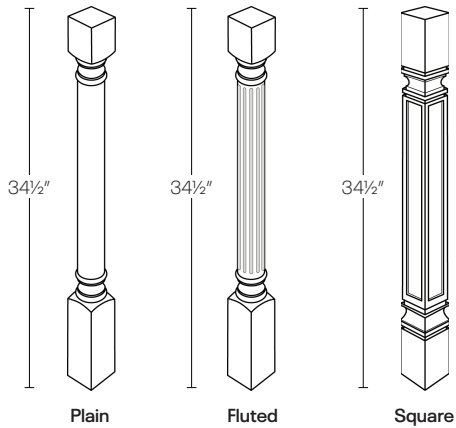


VALP - Flat panel

Item Number	A	B	C
VALP-36	238	238	238
VALP-42	264	264	264
VALP-48	300	300	300
VALP-60	353	353	353
VALPR-36	238	238	238
VALPR-42	264	264	264
VALPR-48	300	300	300
VALPR-60	353	353	353

• 2" Trimmable on both sides

Post



Plain

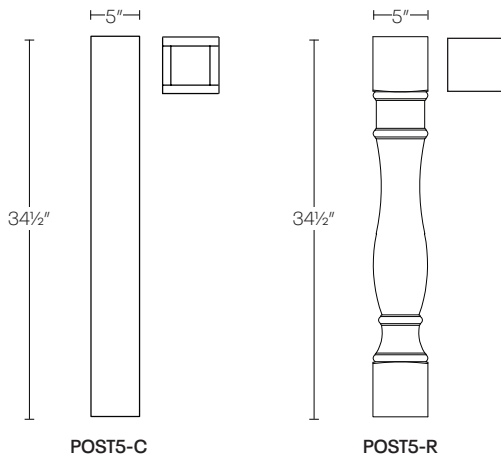
Fluted

Square

POST-P	683	683	683
POST-F	735	735	735
POST-S	1103	1103	1103

• 3" X 3"

Large Post



POST5-C

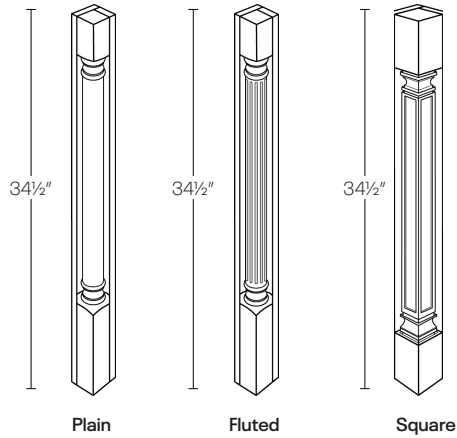
POST5-R

POST5-C	887	887	887
POST5-R	992	992	992

• 5" X 5"

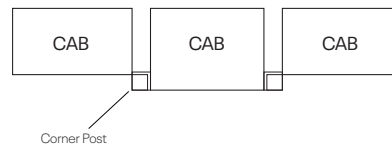
Item Number	A	B	C
-------------	---	---	---

**Corner Post**

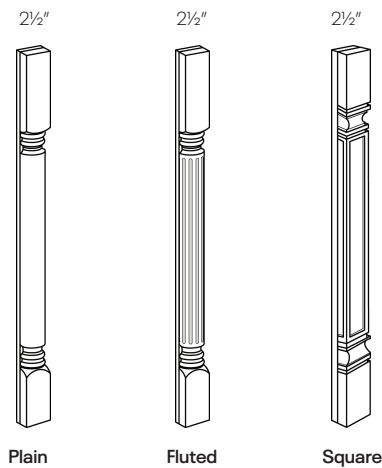


<b>POST-P-CR</b>	392	392	392
<b>POST-F-CR</b>	392	392	392
<b>POST-S-CR</b>	392	392	392

• 3" X 3"



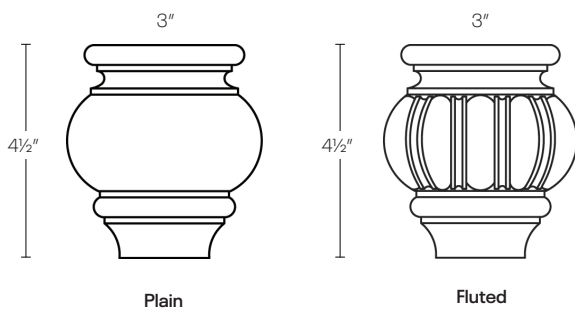
**Spindle**



<b>SPIN-P-30</b>	203	203	203
<b>SPIN-P-36</b>	259	259	259
<b>SPIN-P-42</b>	300	300	300
<b>SPIN-F-30</b>	203	203	203
<b>SPIN-F-36</b>	259	259	259
<b>SPIN-F-42</b>	300	300	300
<b>SPIN-S-30</b>	203	203	203
<b>SPIN-S-36</b>	259	259	259
<b>SPIN-S-42</b>	300	300	300

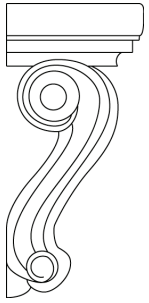
• To be applied on top of filler (not included)

**Bun Feet**



<b>BUN-P</b>	111	111	111
<b>BUN-F</b>	116	116	116

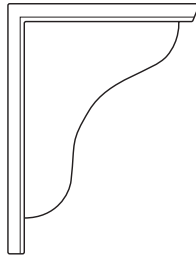
Corbel



CBO



CBM

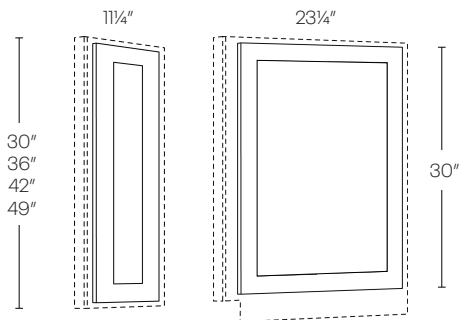


CBS

Item Number	A	B	C
<b>CBO6</b>	382	382	382
<b>CBO9</b>	430	430	430
<b>CBO13</b>	512	512	512
<b>CBM6</b>	382	382	382
<b>CBM9</b>	430	430	430
<b>CBS6</b>	100	100	100
<b>CBS10</b>	139	139	139
<b>CBM13</b>	512	512	512

	W	D	H
CBO6	3"	3½"	6"
CBO9	4¾"	3½"	9"
CBO13	4¾"	6"	13"
CBM6	3"	3½"	6"
CBM9	4½"	4½"	9"
CBS6	3"	3½"	6½"
CBS10	3"	7½"	10½"
CBM13	4½"	6"	13"

Decorative End



WDE12

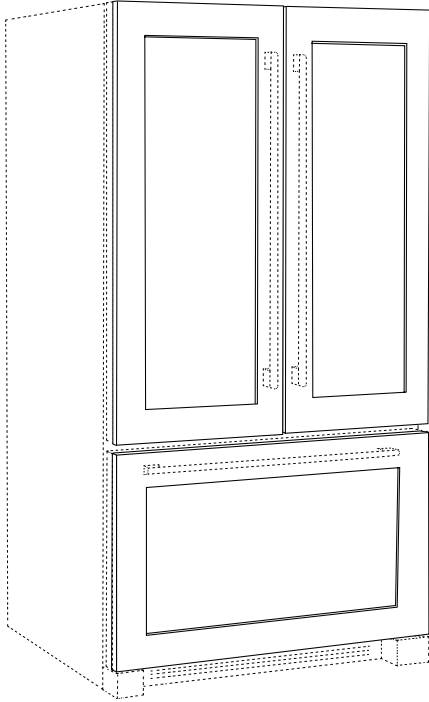
BDE24

<b>WDE1230</b>	175	185	197
<b>WDE1236</b>	249	264	279
<b>WDE1242</b>	292	310	329
<b>WDE1250</b>	361	383	405
<b>BDE24</b>	420	446	471

• Use finished skin to flush with frame, see page 117

Item Number	A	B	C
-------------	---	---	---

Refrigerator Door



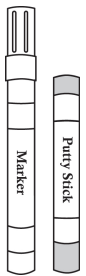
Custom Decorative Panel*	--	--	--
--------------------------	----	----	----

- Customer must provide drawings and dimensions for custom price quote and lead time
- Can not be combined with existing quote
- Custom Decorative Panels will have an extended lead time

\* Doors are made custom, please provide accurate drawings with your order

Touch Up Kit

TUP	100	100	100
TUP-PINT	118	118	118



TUP



TUP-PINT

- TUP-PINT is not available in the Stone finish



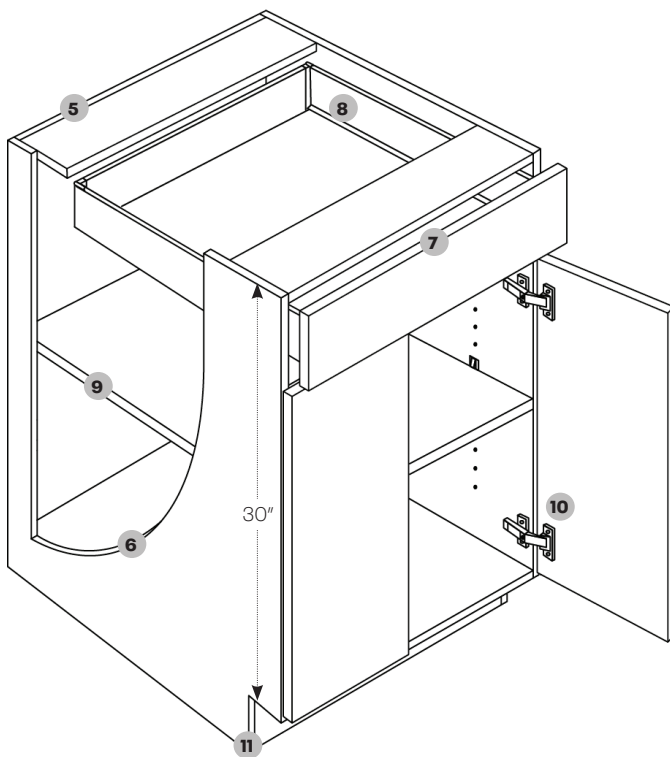
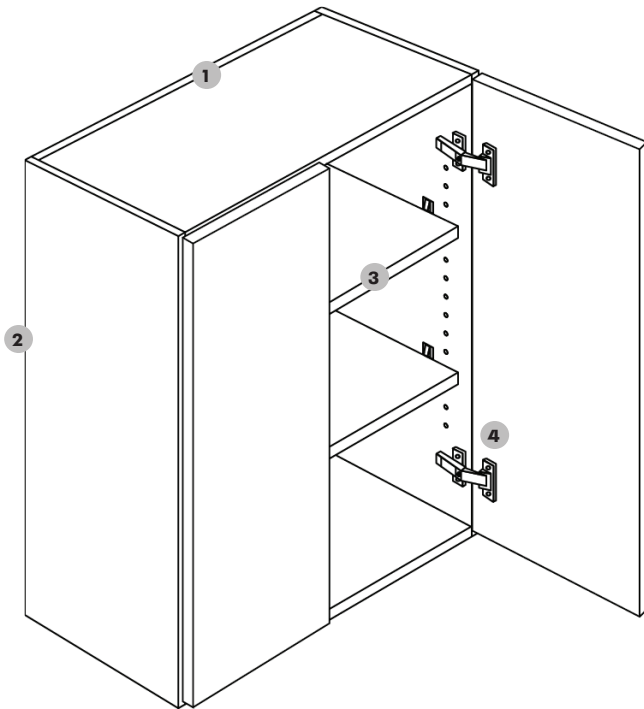
# **Cabinet & Door Information**

---

Classic Collection



White Finish Frameless Box



- 1 **Back panel** — 1/4" back panel with 3/4" x 4" supporting braces top and bottom, constructed with wood dowels glued and clamped for ensured security.
- 2 **End panel** — 3/4" thick, multi-core plywood sides Constructed with wood dowels glued and clamped for ensured security.
- 3 **Shelves** — 3/4" thick, plywood; fully adjustable with metal clips.
- 4 **Hinges** — Heavy duty steel concealed hinge, adjustable with soft-close mechanism

\*36" and 42" Wall cabinets will have 3 hinges

- 5 **Back panel** — 1/4" back panel with 3/4" x 4" supporting braces top and bottom, constructed with wood dowels glued and clamped.
- 6 **End panel** — 3/4" thick, multi-core plywood sides. Constructed with wood dowels glued and clamped.
- 7 **Drawers** — Double white wall metal drawer with 1/2" plywood bottom.
- 8 **Glides** — Full extension glides, with soft closing feature.
- 9 **Shelves** — 3/4" thick, full depth plywood; fully adjustable with metal clips.
- 10 **Hinges** — Heavy duty steel concealed hinge, adjustable with soft-close mechanism
- 11 **Toe Kick** — 4 1/2" Toe kick with 3" inset on all standard base and vanity cabinets. White toe kick is standard.

**Cabinet boxes are white edge banded with white interior and exterior.**

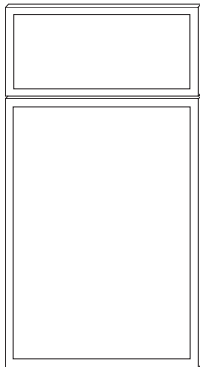
**On diagonal and corner cabinets, matching edgebanding will be applied vertically.**

**Matching edgeband is a 10% upcharge of cabinet price.**

**Classic cabinets are only available assembled.**

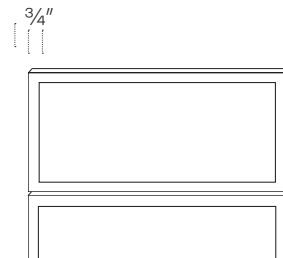
**Alvic doors come standard with Blum hinges.**

## Versailles

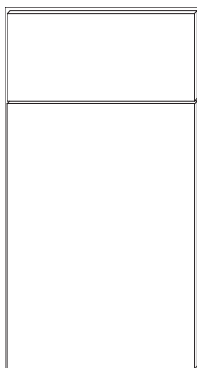


Finish	Price Code
VW10 - White	F

A full overlay 5 piece solid wood, with solid MDF veneer flat center panel. The Versailles door features a 3/4" frame.



## Milano



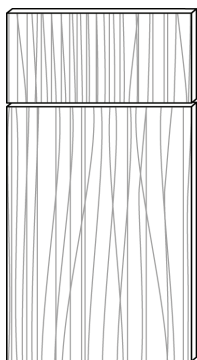
Finish	Price Code
MW40 - Polar White (gloss)	F
MW41 - Fossil Grey (gloss)	F
MW42 - Sand (matte)	F
MW43 - Seaside (matte)	F

A full overlay slab door made from a MDF core, wrapped in PET with a matching edgeband.

PET (Polyethylene Terephthalate) materials are extremely durable, resistant to heat and moisture, and highly resistant to warping.

- Exposed ends need finished sides (Factory Installed)

## Matrix

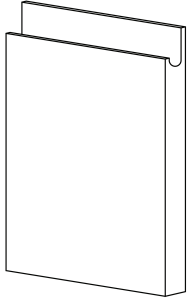


Finish	Price Code
MW18 - Silver	E
MW19 - Greystone	E

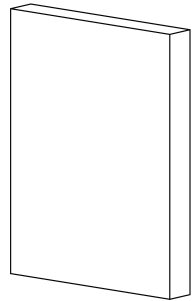
A full overlay low pressure laminate flat panel MDF door, with a deep textured finish.

- Exposed ends need finished sides (Factory Installed)

## Alvic Doors



Finger-Pull



Slab

Finish	Price Code
<b>Synchron (Textured)</b>	<b>H</b>
<b>Luxe (High Gloss) / Zenit (Matte)</b>	<b>I</b>

- Finger-Pull is 25% Up-charged
- Panels cannot exceed 107"
- Only available with Classic Collection box

Alvic doors come with a color matching soft postforming edge band. Finger pull and slab doors are 18mm thick.

\*Alvic Doors come standard equipped with Blum hinges

• Exposed ends need 3/4" finished panels (Not Factory Installed)

• Finger Pull only available on doors and drawers that are 47.5" or less

• All full height doors will be 20% higher

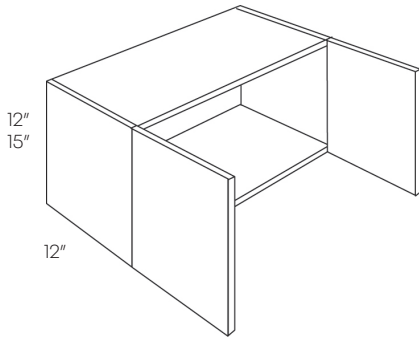
# **Specifications and Prices**

---

Classic Collection

Item Number	E	F	H	I
-------------	---	---	---	---

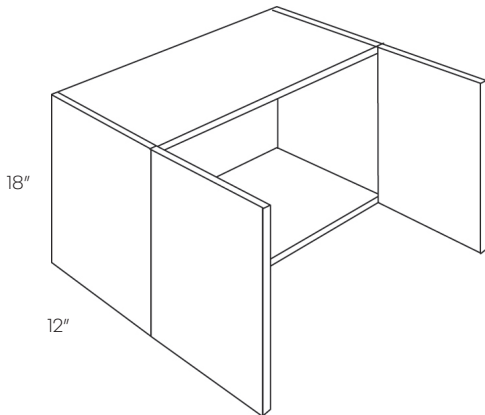
**12" - 15" High Wall Cabinet**



<b>3012</b>	399	419	500	560
<b>3312</b>	424	446	530	595
<b>3612</b>	462	486	577	647
<b>2415</b>	407	428	508	569
<b>3015</b>	415	436	518	580
<b>3315</b>	437	459	546	611
<b>3615</b>	462	486	577	647

• No shelf

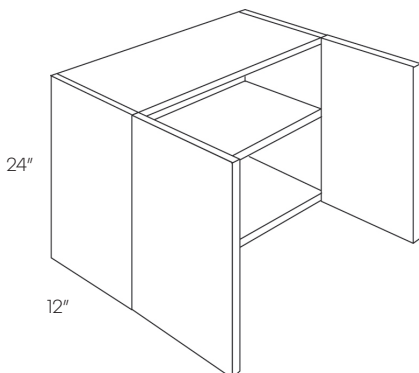
**18" High Wall Cabinet**



<b>2118 (1 door)</b>	384	404	479	538
<b>2418</b>	419	440	524	647
<b>3018</b>	462	486	577	587
<b>3318</b>	509	535	635	646
<b>3618</b>	559	587	698	711

• No shelf

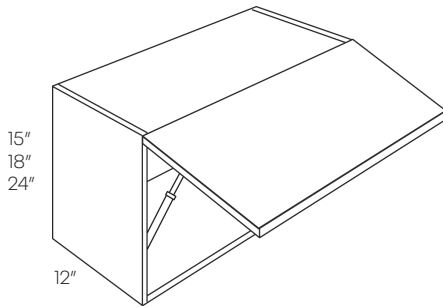
**24" High Wall Cabinet**



<b>2424</b>	574	603	717	804
<b>2724</b>	579	608	725	811
<b>3024</b>	599	629	750	846
<b>3324</b>	620	651	773	867
<b>3624</b>	664	698	831	930
<b>4224</b>	746	784	932	1045

• No center brace

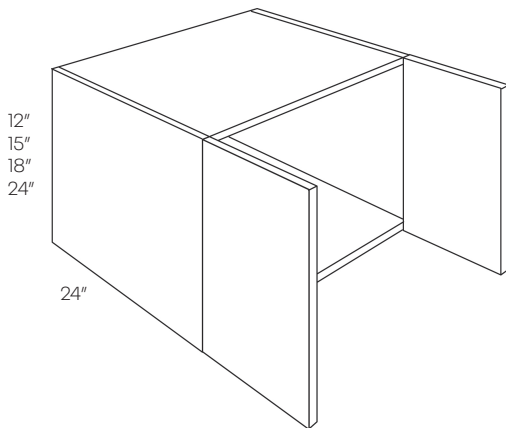
Horizontal Wall Cabinet



Item Number	E	F	H	I
3015-HD	680	714	849	951
3018-HD	684	719	854	958
3615-HD	846	889	577	1185
3618-HD	857	900	1076	1203
3024-HD*	786	826	983	1101

\* Has shelf

24" Deep Wall Cabinet

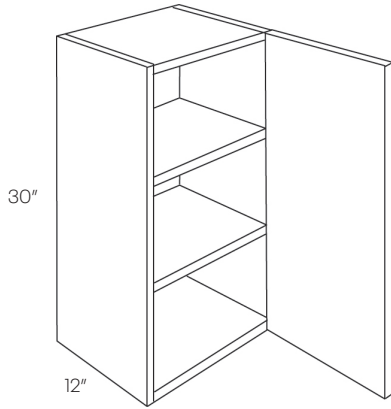


3012X24	541	569	677	758
3015X24	561	590	702	786
3018X24	583	613	729	816
3024X24*	781	821	975	1092
3312X24	551	579	688	770
3315X24	574	603	717	804
3318X24	596	626	744	833
3324X24*	835	877	1045	1169
3612X24	597	627	745	834
3615X24	623	655	780	871
3618X24	702	738	877	983
3624X24*	899	944	1124	1258

\* Has shelf

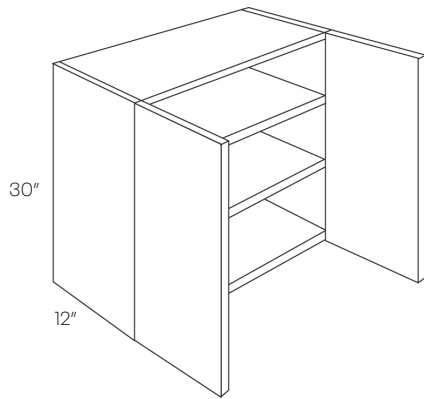
Item Number	E	F	H	I
-------------	---	---	---	---

**30" High 1 Door Wall Cabinet**



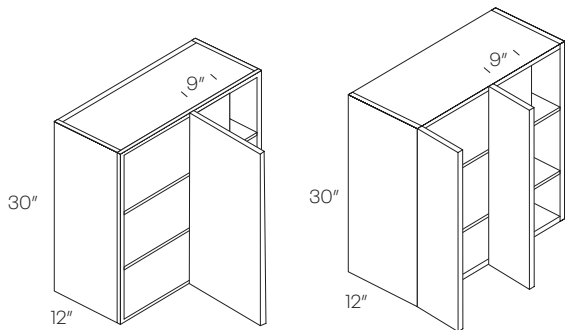
<b>930</b>	331	348	414	464
<b>1230</b>	369	388	462	517
<b>1530</b>	395	415	494	554
<b>1830</b>	446	469	557	624
<b>2130</b>	532	559	665	745

**30" High 2 Door Wall Cabinet**



<b>2430</b>	571	600	712	797
<b>2730</b>	627	659	785	878
<b>3030</b>	640	672	801	897
<b>3330</b>	701	737	876	980
<b>3630</b>	743	781	929	1039
<b>3930</b>	805	846	1004	1127
<b>4230</b>	852	895	1064	1193

**30" High Blind Wall Cabinet**

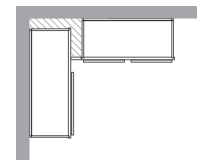


BLW27/BLW36

BLW39/BLW42

<b>BLW27/3030 (1 door)</b>	810	851	1013	1134
<b>BLW36/3930 (1 door)</b>	969	1018	1212	1355
<b>BLW39/4230</b>	1058	1111	1322	1481
<b>BLW42/4530</b>	1164	1223	1455	1628

Cabinet	Min. Pull	Max. Pull	Actual Size	Door	Door Opening
BLW27/3030	27"	30"	27"	1230	11.25" X 28.5"
BLW36/3930	36"	39"	36"	2130	20.25" X 28.5"
BLW39/4230	39"	42"	39"	2430	23.25" X 28.5"
BLW42/4530	42"	45"	42"	2730	26.25" X 28.5"



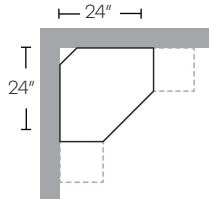
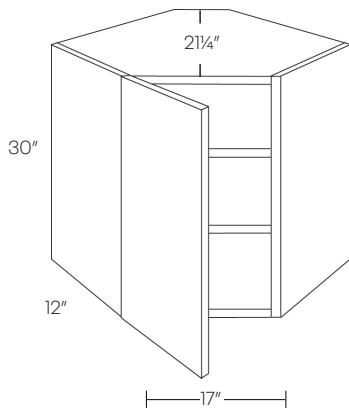
• Can be installed at actual size

Item Number	E	F	H	I
-------------	---	---	---	---

**30" High Diagonal Corner Wall Cabinet**

CW2430	830	872	1037	1161
--------	-----	-----	------	------

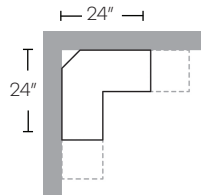
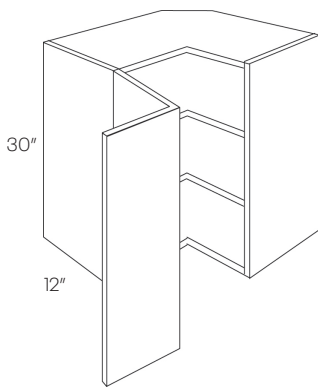
- Requires 24" x 24" wall space
- Matching Edgeband on vertical side



**30" High Square Corner Wall Cabinet**

WSQ2430	894	939	1118	1252
---------	-----	-----	------	------

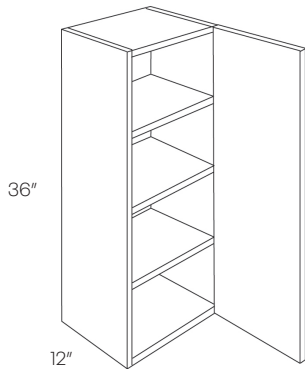
- Requires 24" x 24" wall space
- Pie is 12" x 12"





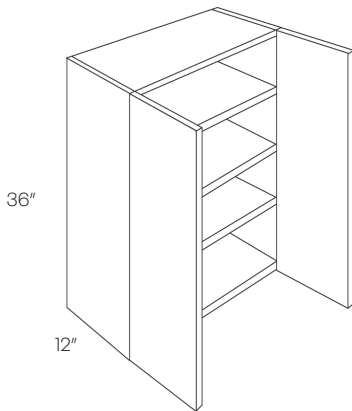
Item Number	E	F	H	I
-------------	---	---	---	---

**36" High 1 Door Wall Cabinet**



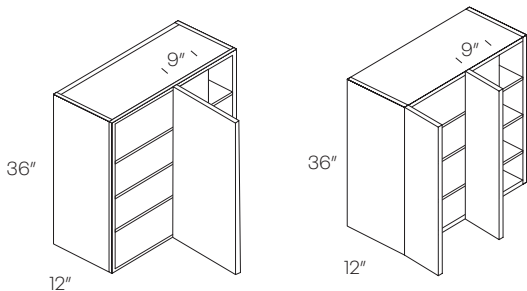
<b>936</b>	395	415	494	554
<b>1236</b>	437	459	546	611
<b>1536</b>	529	556	661	741
<b>1836</b>	587	617	737	806
<b>2136</b>	638	670	797	893

**36" High 2 Door Wall Cabinet**



<b>2436</b>	681	716	851	952
<b>2736</b>	753	791	941	1053
<b>3036</b>	772	811	966	1082
<b>3336</b>	835	877	1045	1169
<b>3636</b>	887	932	1107	1241

**36" High Blind Wall Cabinet**

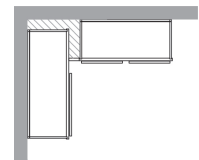


BLW27/BLW36

BLW39

<b>BLW27/3036 (1 door)</b>	941	989	1178	1317
<b>BLW36/3936 (1 door)</b>	1124	1181	1404	1572
<b>BLW39/4236</b>	1243	1306	1554	1740

Cabinet	Min. Pull	Max. Pull	Actual Size	Door	Door Opening
BLW27/3036	27"	30"	27"	1236	11.25" X 34.5"
BLW36/3936	36"	39"	36"	2136	20.25" X 34.5"
BLW39/4236	39"	42"	39"	2436	23.25" X 34.5"

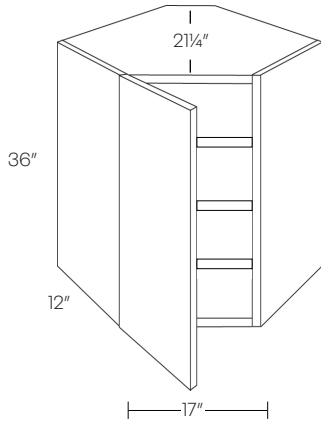


• Can be installed at actual size

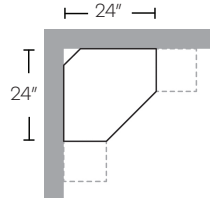
Item Number	E	F	H	I
-------------	---	---	---	---

**36" High Diagonal Corner Wall Cabinet**

CW2436	873	917	1091	1221
--------	-----	-----	------	------

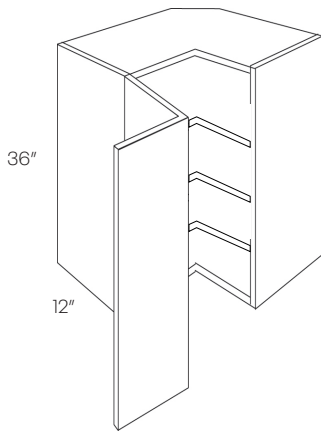


- Requires 24" x 24" wall space
- Matching Edgeband on vertical side

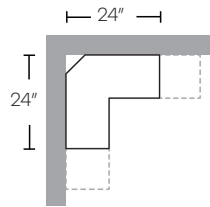


**36" High Square Corner Wall Cabinet**

WSQ2436	941	989	1178	1317
---------	-----	-----	------	------

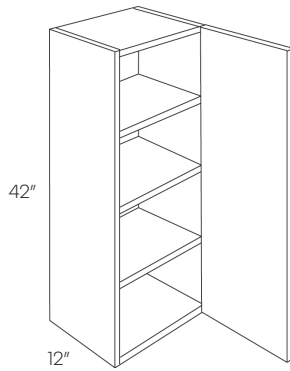


- Requires 24" x 24" wall space



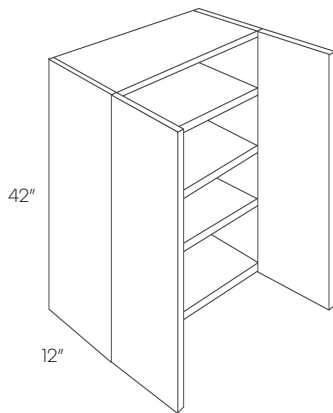
Item Number	E	F	H	I
-------------	---	---	---	---

**42" High 1 Door Wall Cabinet**



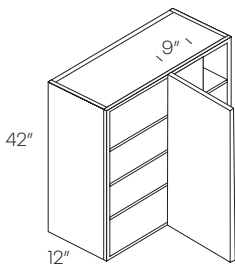
<b>942</b>	441	464	552	619
<b>1242</b>	485	510	605	678
<b>1542</b>	530	557	662	742
<b>1842</b>	591	621	738	826
<b>2142</b>	709	745	888	993

**42" High 2 Door Wall Cabinet**

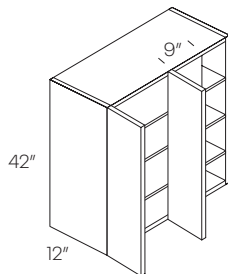


<b>2442</b>	758	796	948	1060
<b>2742</b>	832	874	1039	1165
<b>3042</b>	864	908	1080	1208
<b>3342</b>	929	976	1161	1300
<b>3642</b>	983	1033	1229	1376

**42" High Blind Wall Cabinet**



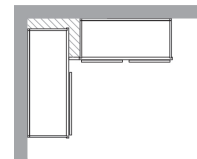
BLW27/BLW36



BLW39

<b>BLW27/3042 (1 door)</b>	1047	1100	1309	1464
<b>BLW36/3942 (1 door)</b>	1258	1321	1572	1761
<b>BLW39/4242</b>	1376	1445	1720	1927

Cabinet	Min. Pull	Max. Pull	Actual Size	Door	Door Opening
BLW27/3042	27"	30"	27"	1242	11.25" X 40.5"
BLW36/3942	36"	39"	36"	2142	20.25" X 40.5"
BLW39/4242	39"	42"	39"	2442	23.25" X 40.5"

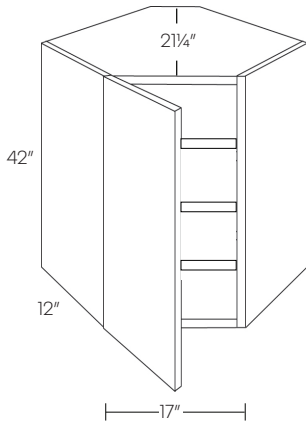


• Can be installed at actual size

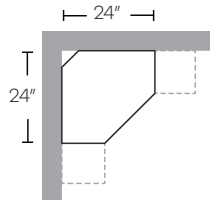
Item Number	E	F	H	I
-------------	---	---	---	---

**42" High Diagonal Corner Wall Cabinet**

CW2442	998	1048	1220	1289
--------	-----	------	------	------

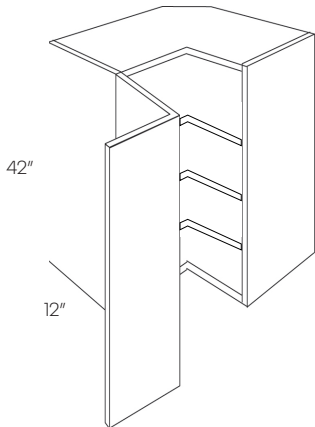


- Requires 24" x 24" wall space
- Matching Edgeband on vertical side

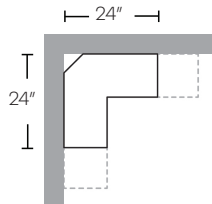


**42" High Square Corner Wall Cabinet**

WSQ2442	1166	1225	1458	1632
---------	------	------	------	------

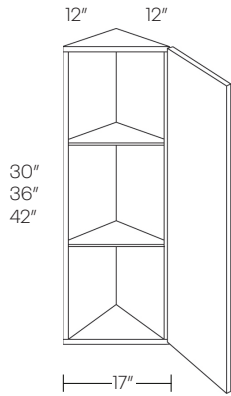


- Requires 24" x 24" wall space



Item Number	E	F	H	I
-------------	---	---	---	---

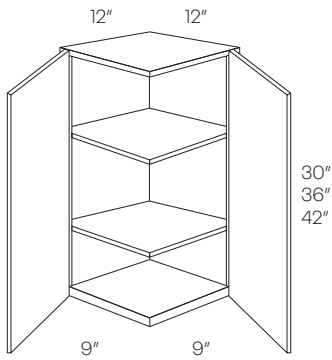
**Single Door Wall End Cabinet**



<b>WEC1230</b>	387	407	485	542
<b>WEC1236</b>	437	459	546	611
<b>WEC1242</b>	488	640	608	682

- 36" and 42" have 3 shelves
- Matching Edgeband

**Double Door Wall End Cabinet**



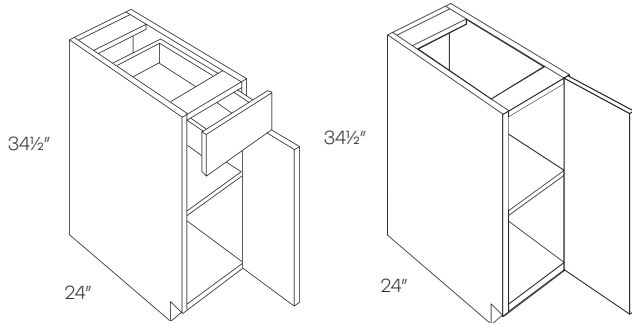
<b>WEC1230</b>	488	513	608	682
<b>WEC1236</b>	546	574	683	765
<b>WEC1242</b>	609	640	762	853

- 36" and 42" have 3 shelves

Item Number	E	F	H	I
-------------	---	---	---	---

**Single Door Base Cabinet**

<b>B9</b>	528	555	660	739
<b>B12</b>	597	627	745	834
<b>B15</b>	623	655	780	871
<b>B18</b>	657	690	821	918
<b>B21</b>	737	774	920	1032

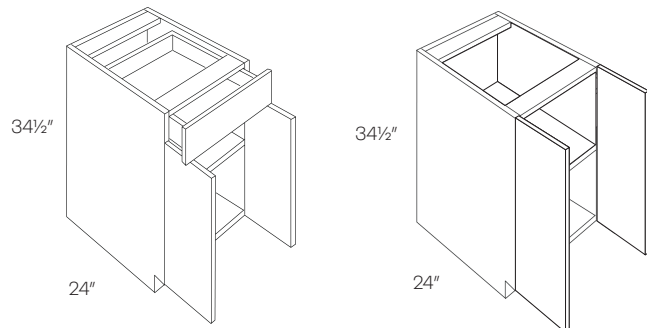


- Full shelf
- Full height available for same price

Full Height Door

**1 Drawer 2 Door Base Cabinet**

<b>B24</b>	783	823	978	1095
<b>B27</b>	857	900	1071	1199

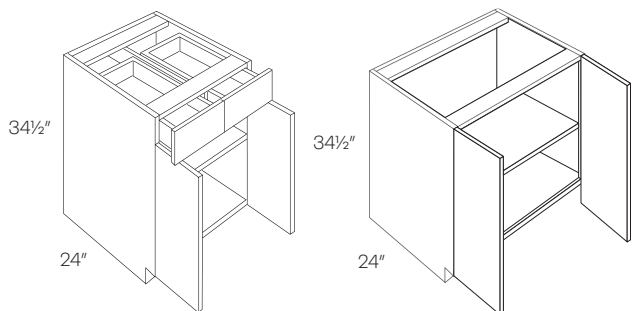


- Full shelf
- Full height available for same price

Full Height Door

**2 Drawer & Door Base Cabinet**

<b>B30</b>	978	1027	1223	1371
<b>B33</b>	1039	1091	1299	1456
<b>B36</b>	1087	1142	1359	1522
<b>B39</b>	1146	1204	1434	1606
<b>B42</b>	1205	1266	1506	1687



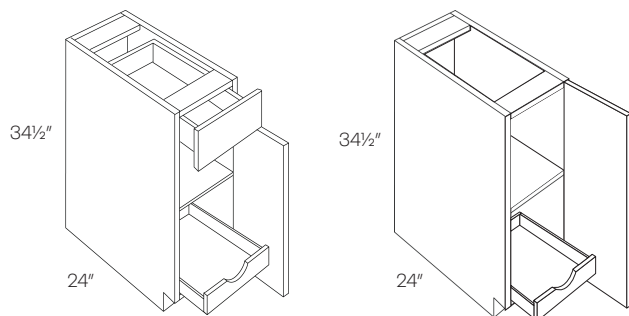
- Full shelf
- Full height available for same price

Full Height Door

Item Number	E	F	H	I
-------------	---	---	---	---

**Single Door Base Cabinet W/1 POS**

<b>B12-POS1</b>	889	934	1110	1244
<b>B15-POS1</b>	922	969	1153	1291
<b>B18-POS1</b>	978	1027	1223	1371
<b>B21-POS1</b>	1082	1137	1352	1515

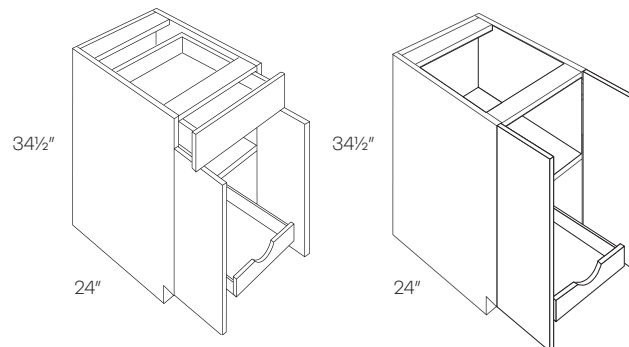


Full Height Door

- Full Shelf
- Ball bearing soft close glides for POS
- Full height available for same price
- POS has natural finish

**1 Drawer 2 Door Base Cabinet W/1 POS**

<b>B24-POS1</b>	1145	1203	1432	1603
<b>B27-POS1</b>	1231	1293	1539	1724

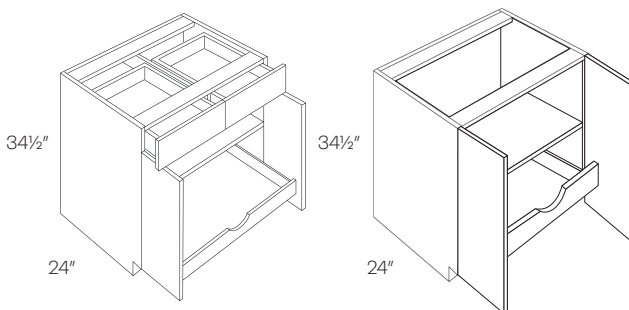


Full Height Door

- Full Shelf
- Ball bearing soft close glides for POS
- Full height available for same price
- POS has natural finish

**2 Drawer & Door Base Cabinet W/1 POS**

<b>B30-POS1</b>	1365	1434	1706	1910
<b>B33-POS1</b>	1438	1510	1798	2014
<b>B36-POS1</b>	1507	1583	1884	2110
<b>B42-POS1</b>	1664	1748	1838	2225

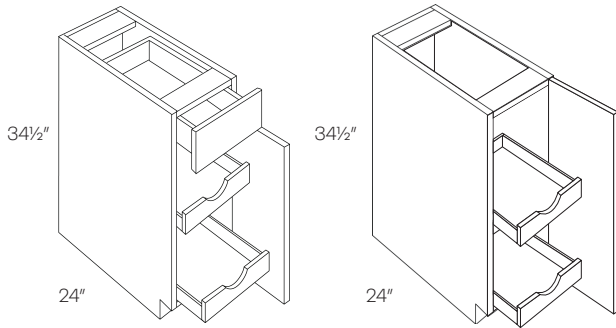


Full Height Door

- Full Shelf
- Ball bearing soft close glides for POS
- Full height available for same price
- POS has natural finish

Item Number	E	F	H	I
-------------	---	---	---	---

**Single Door Base Cabinet W/2 POS**

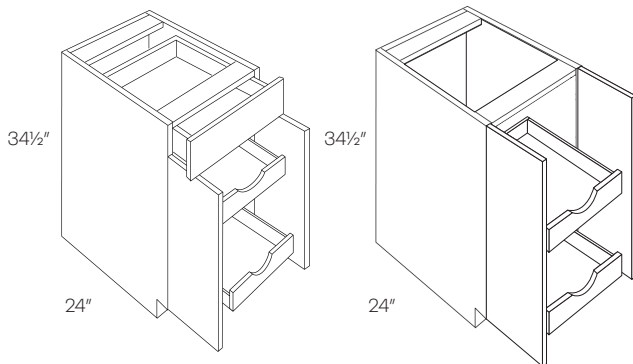


Full Height Door

<b>B12-POS2</b>	1080	1134	1350	1510
<b>B15-POS2</b>	1121	1178	1401	1569
<b>B18-POS2</b>	1201	1262	1501	1680
<b>B21-POS2</b>	1316	1382	1645	1842

- Ball bearing soft close glides for POS
- Full height available for same price
- POS has natural finish

**1 Drawer 2 Door Base Cabinet W/2 POS**

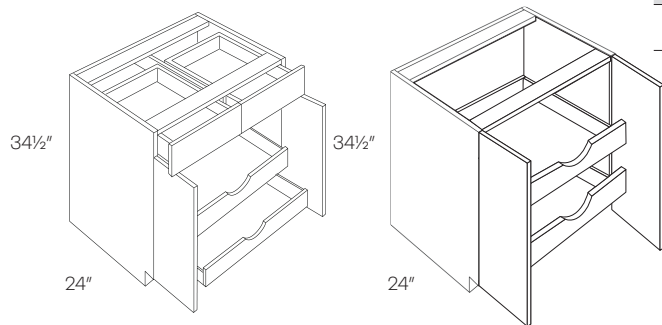


Full Height Door

<b>B24-POS2</b>	1409	1480	1760	1971
<b>B27-POS2</b>	1505	1581	1881	2106

- Ball bearing soft close glides for POS
- Full height available for same price
- POS has natural finish

**2 Drawer & Door Base Cabinet W/2 POS**



Full Height Door

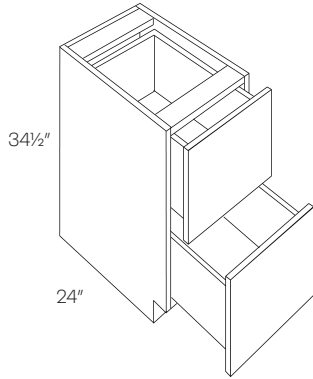
<b>B30-POS2</b>	1652	1735	2066	2314
<b>B33-POS2</b>	1738	1825	2173	2432
<b>B36-POS2</b>	1826	1918	2283	2557
<b>B42-POS2</b>	2021	2123	2916	2698

- Ball bearing soft close glides for POS
- Full height available for same price
- POS has natural finish



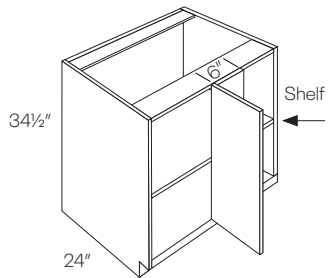
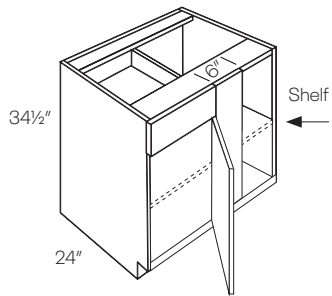
Item Number	E	F	H	I
-------------	---	---	---	---

**2 Drawer Base Cabinet**



<b>DB24-2</b>	1077	1131	1347	1507
<b>DB30-2</b>	1166	1225	1458	1632
<b>DB36-2</b>	1305	1371	1632	1826

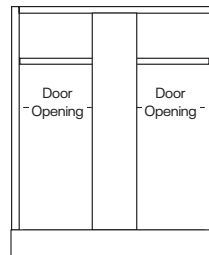
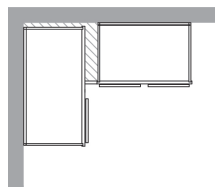
**Blind Base Cabinet**



Full Height Door

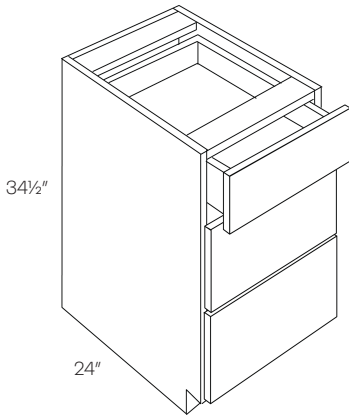
<b>BLB36/39</b>	1034	1086	1292	1447
<b>BLB39/42</b>	1062	1116	1328	1487
<b>BLB42/45</b>	1138	1195	1423	1593
<b>BLB45/48</b>	1229	1291	1537	1721

- Reversible Left or Right
- Must be pulled to the minimum position



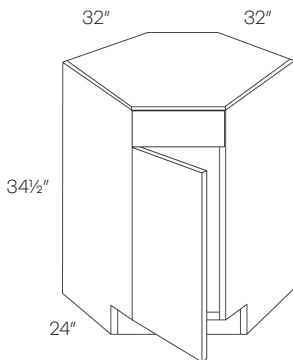
Cabinet	Min. Pull	Max. Pull	Actual Size	Door	Door Opening
BLB36/39	36"	39"	27"	B9	8.25"
BLB39/42	39"	42"	33"	B12	11.25"
BLB42/45	42"	45"	36"	B15	14.25"
BLB45/48	45"	48"	42"	B18	17.25"

3-Drawer Base Cabinet



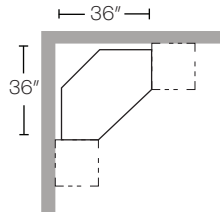
Item Number	E	F	H	I
<b>DB12</b>	943	991	1180	1321
<b>DB15</b>	987	1037	1236	1383
<b>DB18</b>	1008	1059	1262	1412
<b>DB21</b>	1041	1094	1302	1459
<b>DB24</b>	1077	1131	1347	1507
<b>DB27</b>	1130	1187	1412	1582
<b>DB30</b>	1166	1225	1458	1632
<b>DB33</b>	1222	1284	1528	1712
<b>DB36</b>	1305	1371	1632	1826

Diagonal Corner Sink Base Cabinet

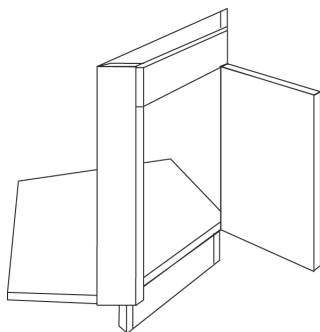


<b>CSB36</b>	1505	1581	1881	2106
--------------	------	------	------	------

- Full height available for same price
- Requires 36"x36" wall space
- Matching edgebanding will be applied on vertical edge frame

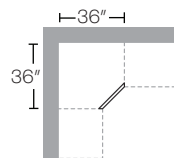


Diagonal Corner Sink Front



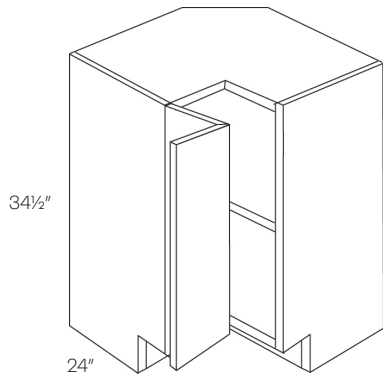
<b>CSF36*</b>	645	678	806	901
<b>CSFFL36 (Floor)</b>	187	197	187	187

- \*Requires 36"x36" wall space
- \*Requires a floor (sold separately)
- CSF36 ships together with CSFFL36
- For CSF36, matching edgeband will be applied on vertical edge frame

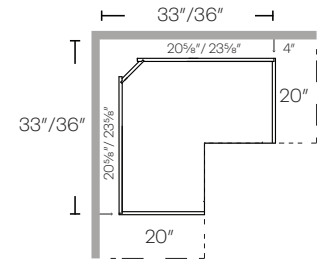


Item Number	E	F	H	I
<b>BSQC33R</b>	1347	1415	1682	1884
<b>BSQC33L</b>	1347	1415	1682	1884
<b>BSQC36R</b>	1347	1415	1682	1884
<b>BSQC36L</b>	1347	1415	1682	1884

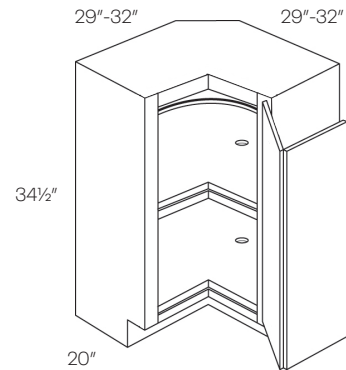
**Easy Reach Corner Base Cabinet**



- Available in left or right hinge
- Left hand shown
- Matching edgeband will be applied on vertical edge frame

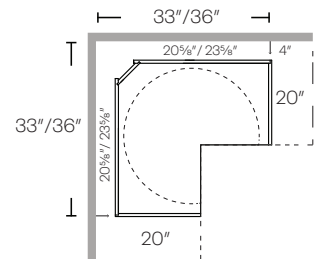


**Lazy Susan Corner Base Cabinet**

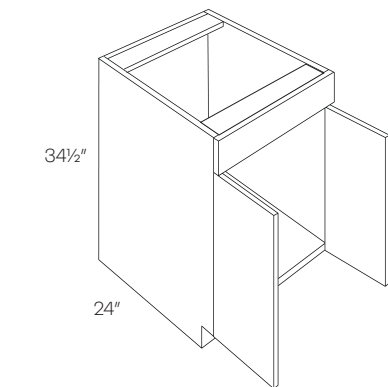


<b>CAR33R</b>	2128	2235	2660	2979
<b>CAR33L</b>	2128	2235	2660	2979
<b>CAR36R</b>	2128	2235	2660	2979
<b>CAR36L</b>	2128	2235	2660	2979

- Requires 33"x33" / 36"x36" wall space
- Pie cut for 33" is 9" for 36" is 12"
- Available in left or right hinge
- Natural wooden shelf
- Right hand shown
- Matching edgeband will be applied on vertical edge frame

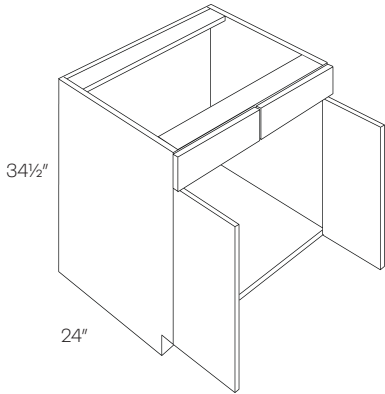


**1 Drawer Front 2 Door Sink Base Cabinet**



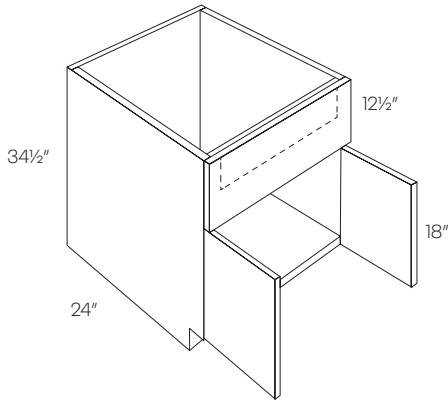
<b>SB24</b>	730	767	913	1022
<b>SB27</b>	786	826	983	1101

**2 Drawer Front 2 Door Sink Base Cabinet**



Item Number	E	F	H	I
<b>SB30</b>	833	875	1040	1166
<b>SB33</b>	886	931	1106	1238
<b>SB36</b>	901	947	1128	1263
<b>SB39</b>	928	975	1160	1299
<b>SB42</b>	943	991	1180	1321

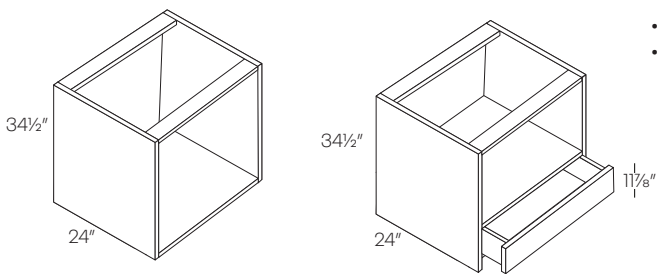
**2 Door Farm Sink Base Cabinet**



<b>SB30-FS</b>	858	901	1040	1166
<b>SB33-FS</b>	893	938	1106	1238
<b>SB36-FS</b>	928	975	1128	1265

- SB30-FS is 27" wide
- SB33-FS is 30" wide
- SB36-FS is 33" wide

**Oven & Microwave Base Cabinet**



OVB30

MCB30

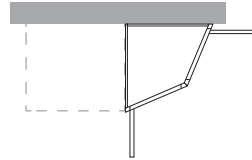
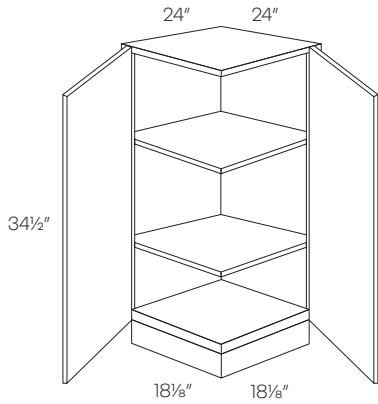
<b>OVB30</b>	833	875	1040	1166
<b>MCB30*</b>	1166	1225	1458	1632

- OV Front opening is 28 1/2" x 29"
- MC Front opening is 28 1/2" x 17 3/4"

Item Number	E	F	H	I
-------------	---	---	---	---

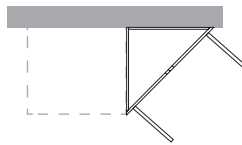
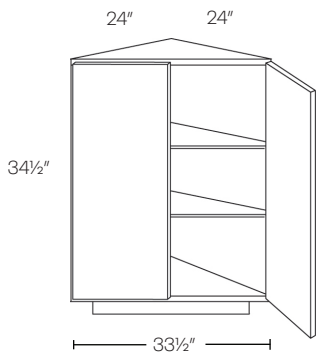
Base End Cabinet

BEC24	755	793	943	1057
-------	-----	-----	-----	------



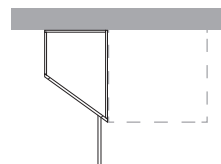
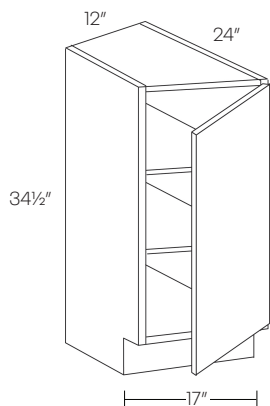
Base End Straight Cabinet

BECS24	755	793	943	1057
--------	-----	-----	-----	------



Angle Base End Cabinet

BTC2412	663	697	830	929
---------	-----	-----	-----	-----

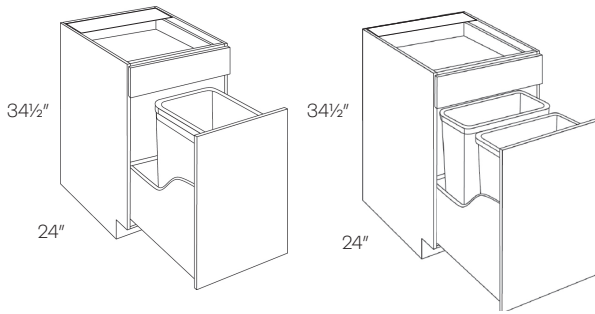


- Reversible
- Loose Toe Kick
- Hinged on 24"

Item Number	E	F	H	I
-------------	---	---	---	---

**Waste Basket Cabinet**

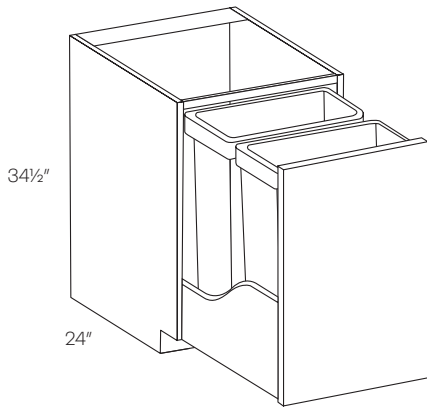
<b>BWBK15 (1 basket)</b>	1089	1144	1362	1527
<b>BWBK18 (2 basket)</b>	1155	1213	1443	1616



- BWBK15 includes 35qt. waste basket
- BWBK18 includes 2-35qt. waste baskets and soft-close glides

**Full Height Double Waste Basket Cabinet**

<b>BWBK21-FH</b>	1199	1259	1500	1678
------------------	------	------	------	------



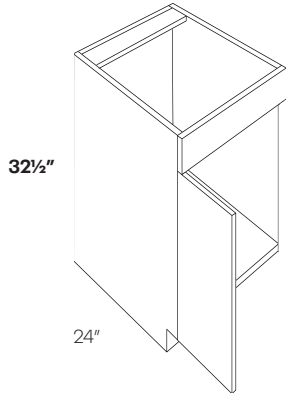
- Includes two 50qt. waste baskets and soft-close glides

Item Number	E	F	H	I
-------------	---	---	---	---

Vanity Sink Base Cabinet

V21-HA	551	579	689	772
--------	-----	-----	-----	-----

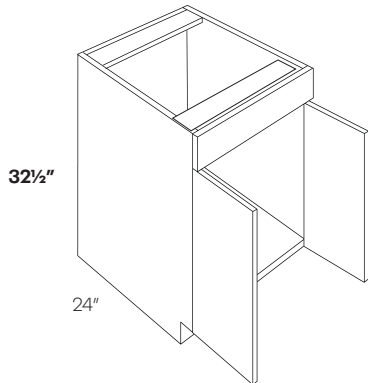
\* Please note, ADA cabinets may not meet ADA requirements



1 Drawer Front 2 Door Sink Base Cabinet

SB24-HA	730	767	913	1023
---------	-----	-----	-----	------

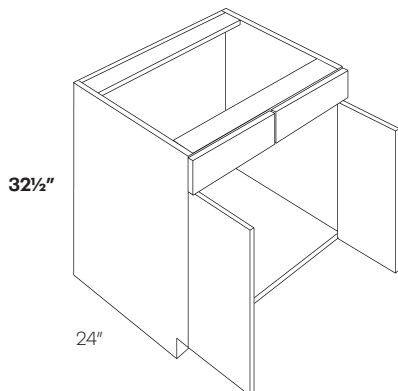
\* Please note, ADA cabinets may not meet ADA requirements



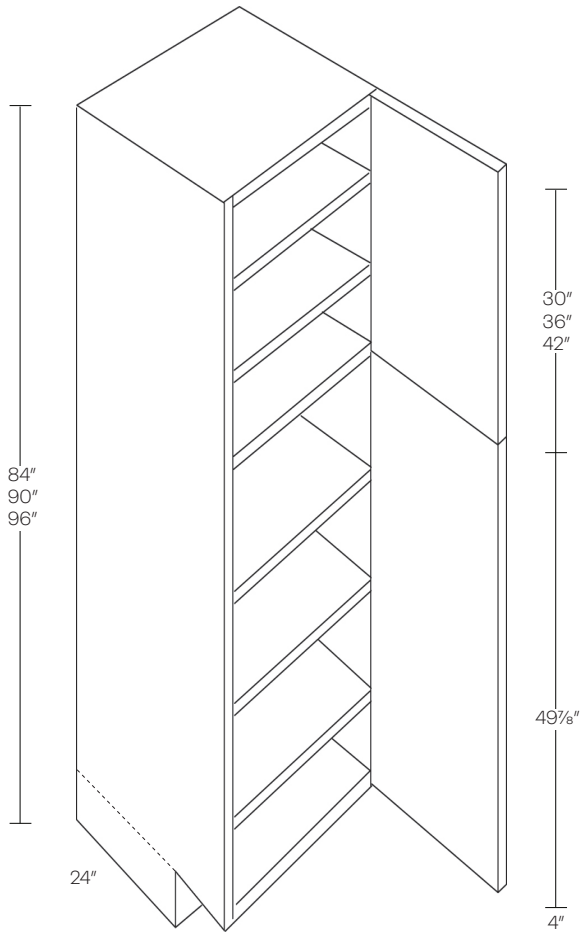
2 Drawer Front 2 Door Sink Base Cabinet

SB30-HA	808	849	1010	1132
SB33-HA	860	903	1075	1204
SB36-HA	874	918	1093	1224

\* Please note, ADA cabinets may not meet ADA requirements



Single Door Cabinet

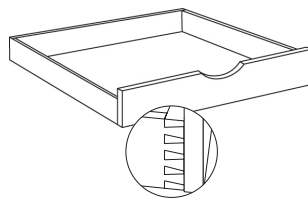


Item Number	E	F	H	I
<b>UC1524X84</b>	1995	2095	2495	2793
<b>UC1524X90</b>	2335	2452	2919	3268
<b>UC1524X96*</b>	2594	2724	3242	3629
<b>UC1824X84</b>	2078	2182	2599	2910
<b>UC1824X90</b>	2432	2554	3040	3406
<b>UC1824X96*</b>	2702	2838	3376	3782
<b>POS15-3</b>	707	707	707	707
<b>POS15-4</b>	954	954	954	954
<b>POS18-3</b>	825	825	825	825
<b>POS18-4</b>	1036	1036	1036	1036

- POS price is in addition to the cabinet list price
- POS will be factory installed
- POS has natural finish
- Soft-close glides for POS

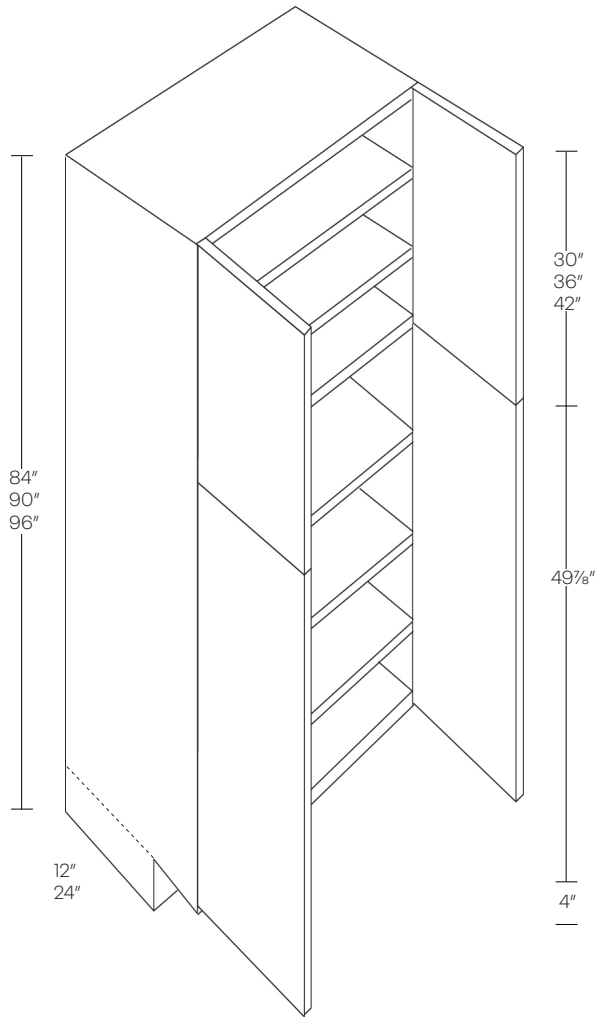
- \* 84" and 90" has 2 upper shelves
- \* 96" has 3 upper shelves
- \* Toe kick shipped loose

Pull Out Shelf





Double Door Utility Cabinet

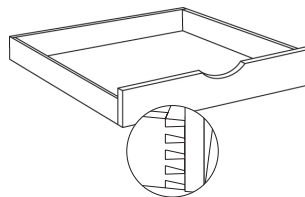


Item Number	E	F	H	I
<b>UC2412X84</b>	2319	2435	2900	3247
<b>UC2412X90</b>	2530	2657	3164	3542
<b>UC2412X96*</b>	2612	2743	3266	3658
<b>UC2424X84</b>	2393	2513	2993	3351
<b>UC2424X90</b>	2720	2856	3400	3809
<b>UC2424X96*</b>	3023	3175	3779	4232
<b>UC3024X84</b>	2754	2892	3441	3854
<b>UC3024X90</b>	3129	3286	3912	4381
<b>UC3024X96*</b>	3477	3651	4344	4867
<b>POS24-3</b>	942	942	942	942
<b>POS24-4</b>	1193	1193	1193	1193
<b>POS30-3</b>	1011	1011	1011	1011
<b>POS30-4</b>	1285	1285	1285	1285

- POS price is in addition to the cabinet list price
- POS will be factory installed
- POS has natural finish
- POS not available in 12" deep UC
- Ball bearing glides for POS

\* 84" and 90" has 2 upper shelves  
 \* 96" has 3 upper shelves  
 \* Toe kick shipped loose

Pull Out Shelf



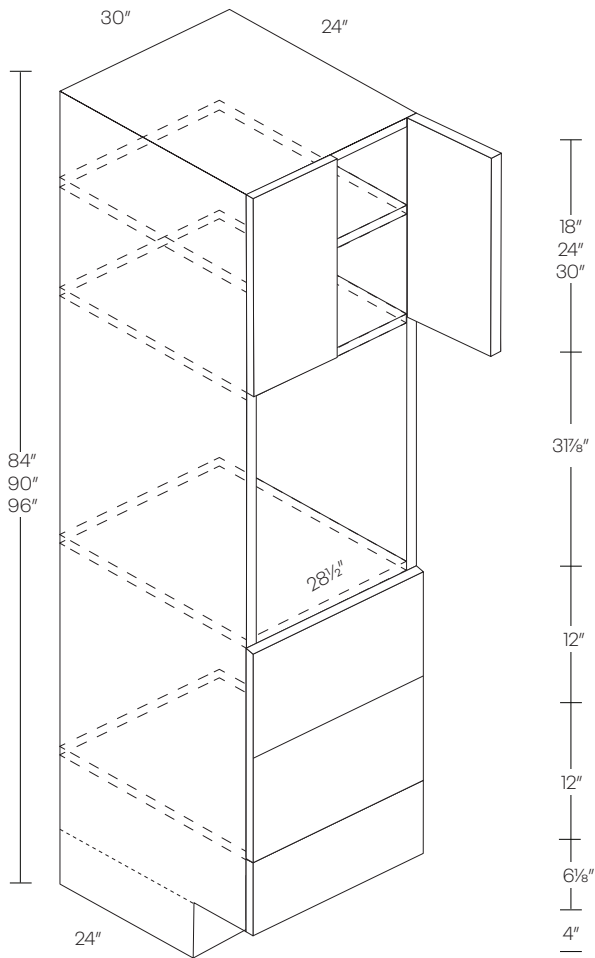
Item Number	E	F	H	I
-------------	---	---	---	---

Oven Cabinet

<b>OV3084</b>	2310	2426	2889	3236
<b>OV3090</b>	2454	2577	3069	3436
<b>OV3096*</b>	2599	2729	3249	3639

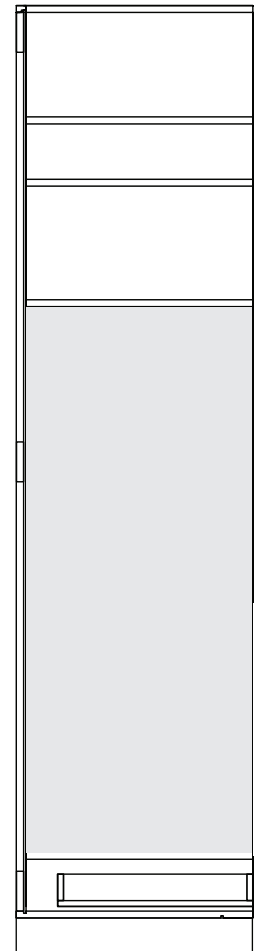
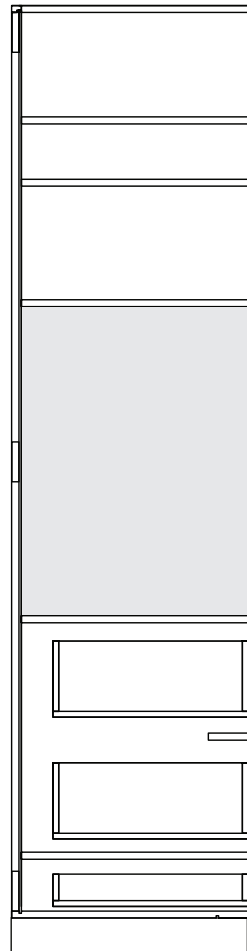
- Has 2 upper shelves
- Maximum vertical opening is 52.5"
- For double wall ovens, remove drawers as needed

\*Toe kick shipped loose

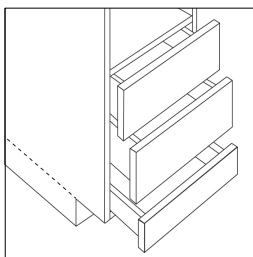


Side

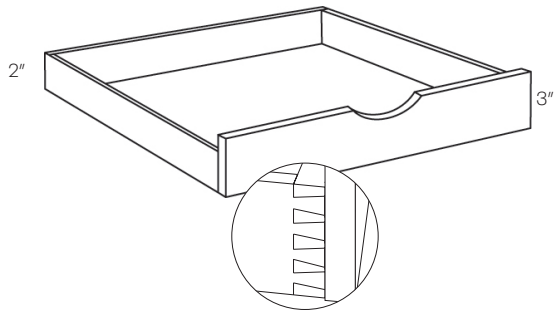
Field Modified  
\*for double oven, remove fixed shelf and bottom 12" drawers



Bottom drawers open



**Pull Out Shelf**



Item Number	E	F	H	I
<b>POS12</b>	198	198	198	198
<b>POS15</b>	207	207	207	207
<b>POS18</b>	228	228	228	228
<b>POS21</b>	240	240	240	240
<b>POS24</b>	271	271	271	271
<b>POS27</b>	282	282	282	282
<b>POS30</b>	294	294	294	294
<b>POS33</b>	307	307	307	307
<b>POS36</b>	329	329	329	329
<b>POS42</b>	345	345	345	345

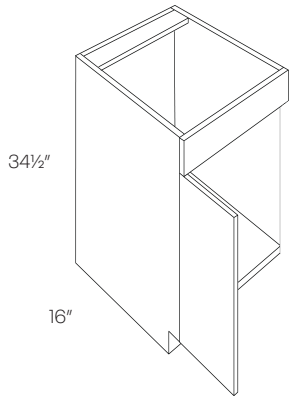
- Ball bearing soft-close glides included
- POS uses dovetail construction
- Two spacers required
- Natural finish

Item Number	E	F	H	I
-------------	---	---	---	---

**1 Door Vanity Base Cabinet**

V1816 (1 door)	360	378	450	503
----------------	-----	-----	-----	-----

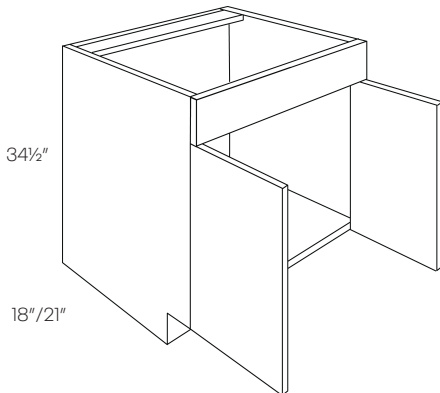
• Dealer must order toe kick



**2 Door Vanity Base Cabinet**

V2418	467	491	583	653
V3018	647	680	809	905
V24	551	579	688	770
V27	617	649	771	863
V30	683	718	853	955
V33	756	794	944	1058
V36	828	870	1035	1160

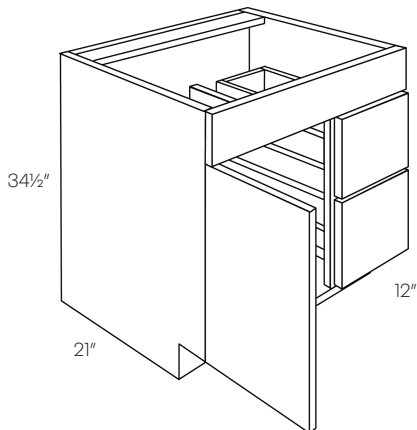
• Dealer must order toe kick



**1 Door 2 Drawer Vanity Base Cabinet**

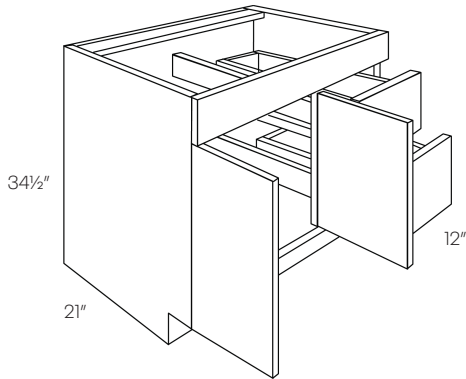
V24DL	789	829	985	1104
V24DR	789	829	985	1104
V30DL	900	945	1125	1262
V30DR	900	945	1125	1262

• Dealer must order toe kick



Item Number	E	F	H	I
-------------	---	---	---	---

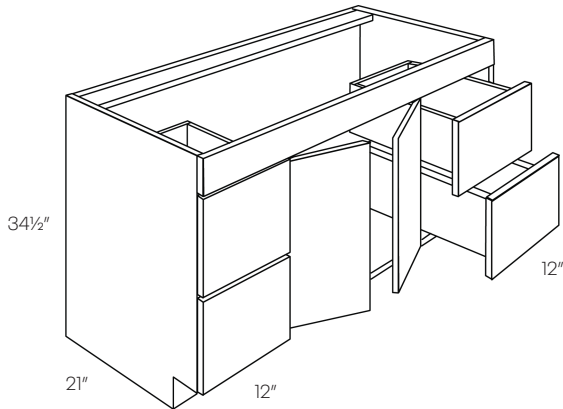
**2 Door 2 Drawer Vanity Base Cabinet**



<b>V36DL</b>	1229	1291	1537	1721
<b>V36DR</b>	1229	1291	1537	1721
<b>V42DL</b>	1323	1390	1653	1852
<b>V42DR</b>	1323	1390	1653	1852

• Dealer must order toe kick

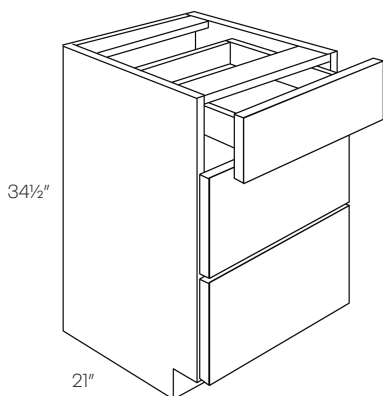
**2 Door & Drawer Vanity Base Cabinet**



<b>V48DD</b>	1476	1550	1693	1896
--------------	------	------	------	------

• Dealer must order toe kick

**Vanity Drawer Base Cabinet**

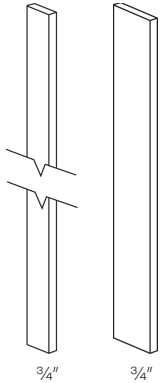


<b>VDB12</b>	833	875	1040	1166
<b>VDB15</b>	906	952	1133	1269
<b>VDB18</b>	991	1041	1238	1386

• Dealer must order toe kick

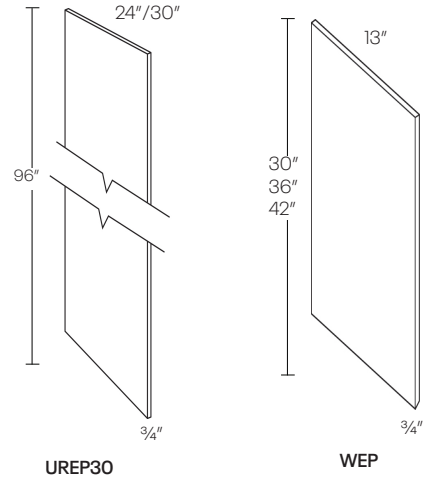
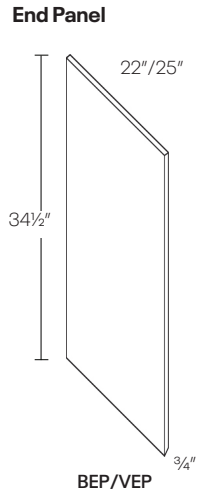
Item Number	E	F	H	I
<b>F330</b>	49	52	91	121
<b>F336</b>	63	67	104	136
<b>F342</b>	90	95	129	160
<b>F396</b>	147	155	229	292
<b>F630</b>	70	74	112	142
<b>F636</b>	95	100	136	166
<b>F642</b>	124	131	196	249
<b>F696</b>	194	204	362	487

• Overlays available for Alvic  
• Fillers finished on all 4 sides



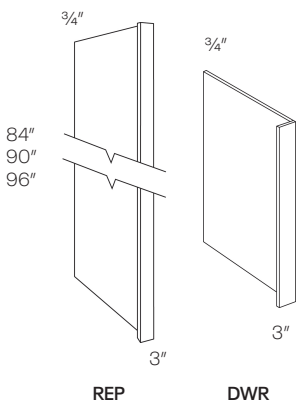
Item Number	E	F	H	I
<b>BEP</b>	282	300	357	419
<b>VEP</b>	282	300	357	419
<b>WEP30</b>	145	240	136	216
<b>WEP36</b>	174	250	155	260
<b>WEP42</b>	203	261	180	302
<b>UREP24</b>	737*	774	920	1032
<b>UREP30</b>	853	896	1067	1196
<b>PANEL*</b>	N/A	N/A	48	80
<b>UREP1.5X96X27</b>	N/A	N/A	48	80

\*Price per square foot  
• Factory Installed  
• All end panels are MDF  
• All sides are finished



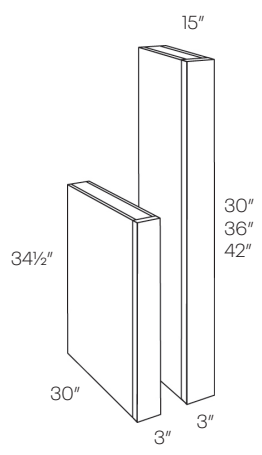
Item Number	E	F	H	I
<b>REP196</b>			N/A	N/A
<b>REP384</b>	516*	542	N/A	N/A
<b>REP390</b>	535*	562	N/A	N/A
<b>REP396</b>	571*	600	N/A	N/A
<b>DWR3</b>	236*	243	N/A	N/A

• One side finished, other side white matte  
• Overlays available for Alvic



Item Number	E	F	H	I
<b>CLM-B30</b> (34 1/2" H X 30" D)	627*	659	N/A	N/A
<b>CLM-30X15</b> (30" H X 15" D)	249*	262	N/A	N/A
<b>CLM-36X15</b> (36" H X 15" D)	332*	349	N/A	N/A
<b>CLM-42X15</b> (42" H X 15" D)	332*	349	N/A	N/A

• Finished 3 sides  
• Trimmable

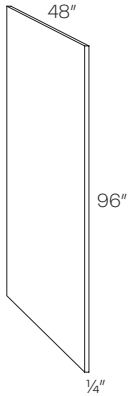


Item Number	E	F	H	I
-------------	---	---	---	---

**Plywood Panel**

PLY4X8	808	849	N/A	N/A
--------	-----	-----	-----	-----

- One side finished, other side white matte

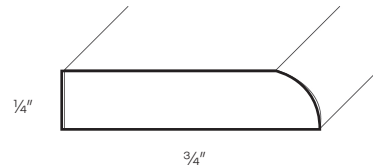


Item Number	E	F	H	I
-------------	---	---	---	---

**Scribe Molding**

SCM	78	78	N/A	N/A
-----	----	----	-----	-----

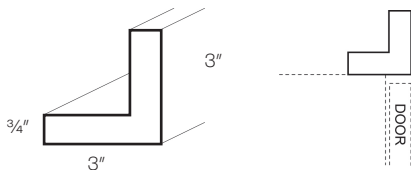
- 8 Feet long



**Contemporary Crown Molding**

CCM	292	307	N/A	N/A
-----	-----	-----	-----	-----

- 8 Feet long
- Outer ends are finished

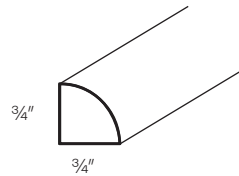


Suggested Use

**Shoe Molding**

SHM	119	119	N/A	N/A
-----	-----	-----	-----	-----

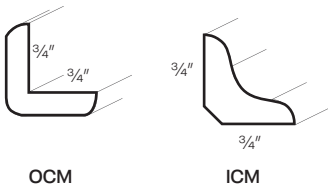
- 8 Feet long



**Corner Molding**

OCM	118	118	118	118
ICM	118	118	118	118

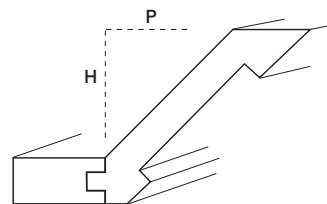
- 8 Feet long



**Full Overlay Crown Moldings**

MFLOOR	N/A	400	N/A	N/A
--------	-----	-----	-----	-----

- 8 Feet long



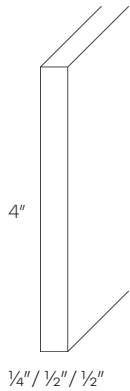
**MFLOOR**  
Height: 3 1/2"  
Projection: 2 1/2"

Item Number	E	F	H	I
-------------	---	---	---	---

Item Number	E	F	H	I
-------------	---	---	---	---

**Toe Kick**

TKS	92	97	230	292
-----	----	----	-----	-----



- 8 Feet long
- Matrix - 1/4"
- Milano - 1/2"
- Alvic - 1/2"

**Touch Up Kit**

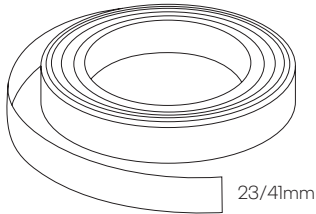
TUP	100	100	N/A	N/A
-----	-----	-----	-----	-----



**Edgeband**

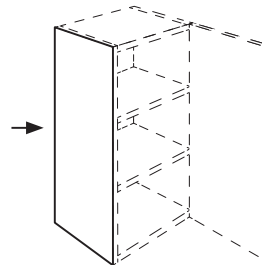
EDGEBAND	20*	20*	993	993
----------	-----	-----	-----	-----

- \* \$20 per lineal foot
- Alvic Edgeband only sold in roll



**Matching Finished Side**

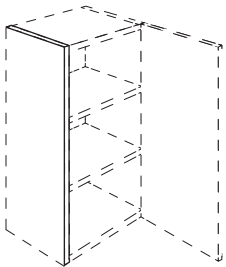
BFP*	143	151**	N/A	N/A
VFP*	124	131**	N/A	N/A
WFP12*	44	47**	N/A	N/A
WFP15*	51	54**	N/A	N/A
WFP18*	57	60**	N/A	N/A
WFP24*	59	62**	N/A	N/A
WFP30*	64	69**	N/A	N/A
WFP36*	79	83**	N/A	N/A
WFP42*	87	92**	N/A	N/A
TFP84*	359	377**	N/A	N/A
TFP90*	384	404**	N/A	N/A
TFP96*	411	432**	N/A	N/A



**Matching Edgeband**

EDGEBAND	*	*	*	*
----------	---	---	---	---

- \* Matching edgeband is a 10% upcharge of cabinet price



- Factory applied only
- \*\*Price listed is for one finished side; for double sided finished side, multiply price by two



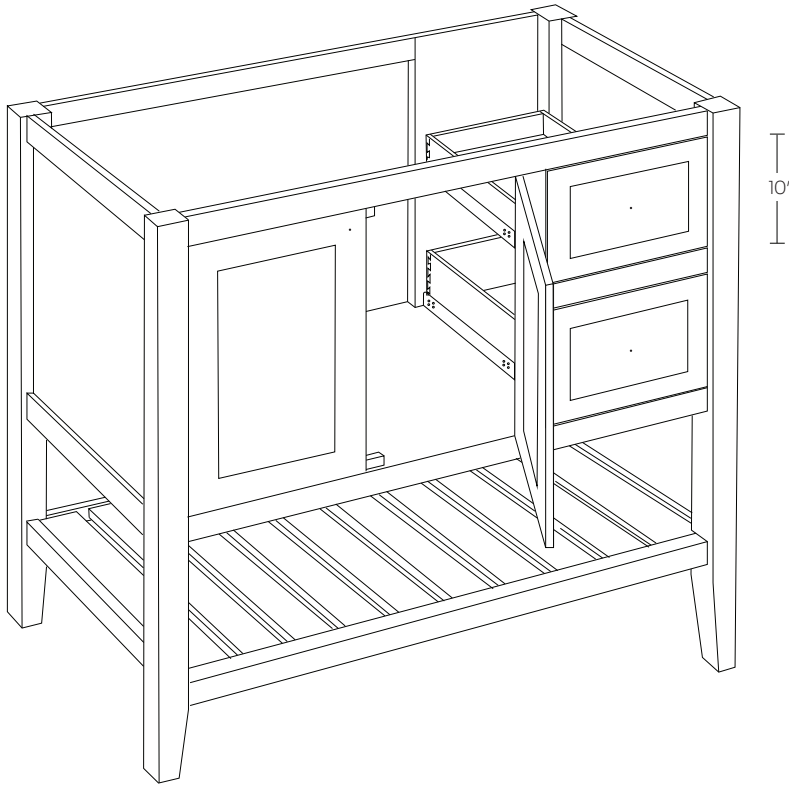


# **Specifications and Prices**

---

Vanity Collections

Vanguard Vanities



**Interior** — Finished with the same finish as the outside

**Drawers** — 5/8" solid wood Dovetail sides 3/8" thick bottom

**Hinges** — Heavy duty steel concealed adjustable soft close hinge.

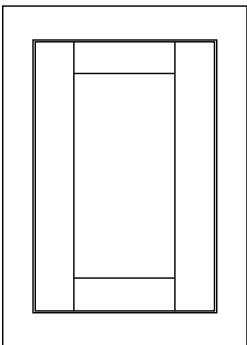
**Glides** — High quality soft-close under-mount glides.

\*Open back behind all doors

\*Pre-drilled holes for hardware

**24"/30" Vanities have 4" spread on vanity top**

**36" and higher Vanities have 8" spread**



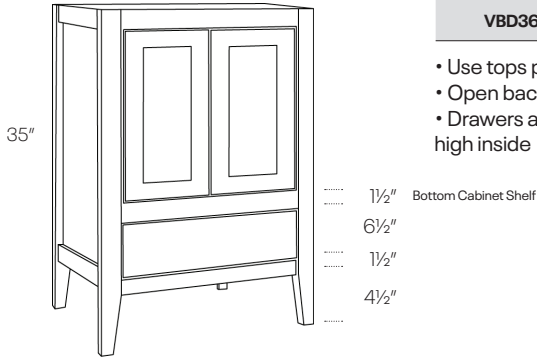
Finish	Price Code	Species
VG10 - White (paint)	V	Solid Wood
VG11 - Espresso (stain)	V	Solid Wood
VG22 - Dove (paint)	V	Solid Wood
VG26 - Indigo (paint)	V	Solid Wood

Item Number	V
-------------	---

Item Number	V
-------------	---

**Bottom Drawer Vanity**

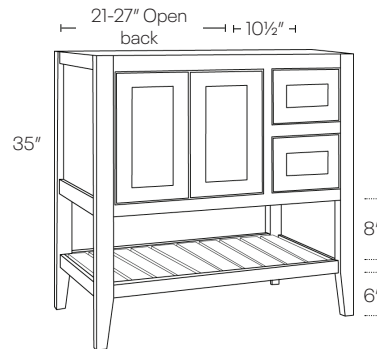
VBD2421	838
VBD3021	887
VBD3621	1015



- Use tops pg. 164
- Open back
- Drawers are 3" high inside

**Open Bottom Right Drawers Vanity**

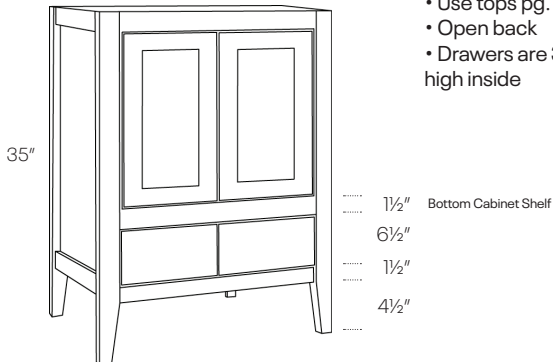
VOB3621-DR	1251
VOB4221-DR	1374



- Use tops pg. 164
- Top drawer is 1 3/8" high inside
- Bottom drawer is 3" high inside

**Double Bottom Drawer Vanity**

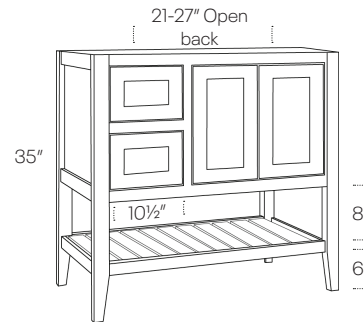
VBD4221	1442
VBD4821	1473



- Use tops pg. 164
- Open back
- Drawers are 3" high inside

**Open Bottom Left Drawers Vanity**

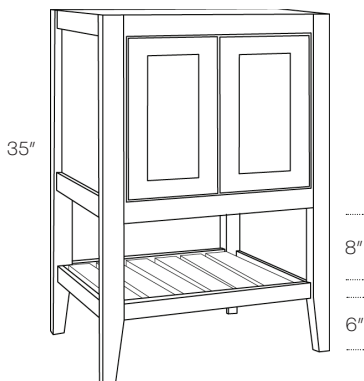
VOB3621-DL	1251
VOB4221-DL	1374



- Use tops pg. 164
- Top drawer is 1 3/8" high inside
- Bottom drawer is 3" high inside

**Open Bottom Vanity**

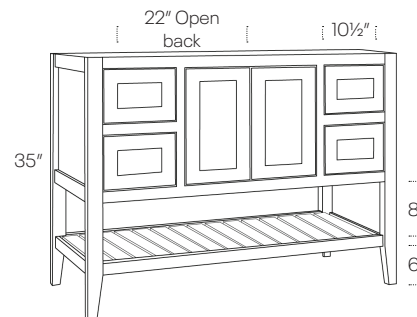
VOB2421	806
VOB3021	894
VOB3621	983
VOB4221	1071



- Use tops pg. 164
- Open back

**Open Bottom Double Drawers Vanity**

VOB4821-DD	1821
------------	------



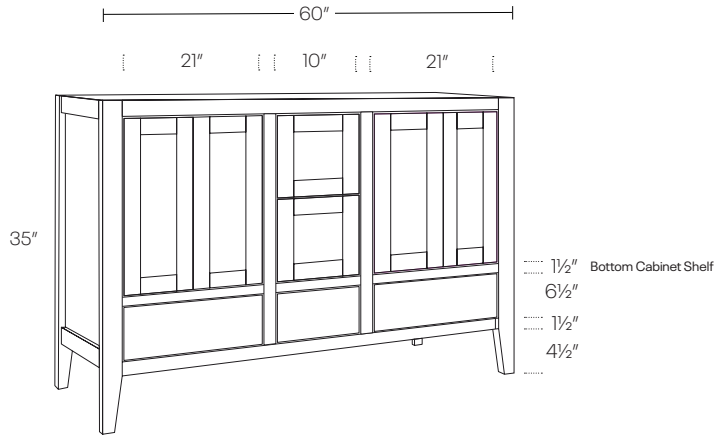
- Use tops pg. 164
- Top & bottom drawers are 3" high inside

Item Number	V
-------------	---

Bottom Drawer Vanity

VBD6021-DC	2092
------------	------

• Use tops pg. 164

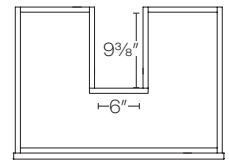
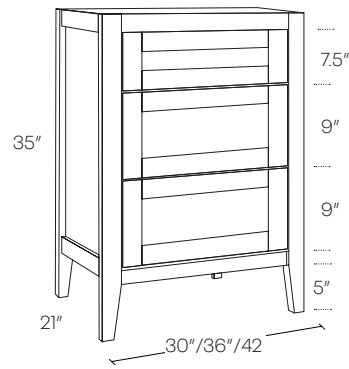


Item Number	V
-------------	---

Double Drawers Vanity

VDD3021	973
VDD3621	1185
VDD4221	1646

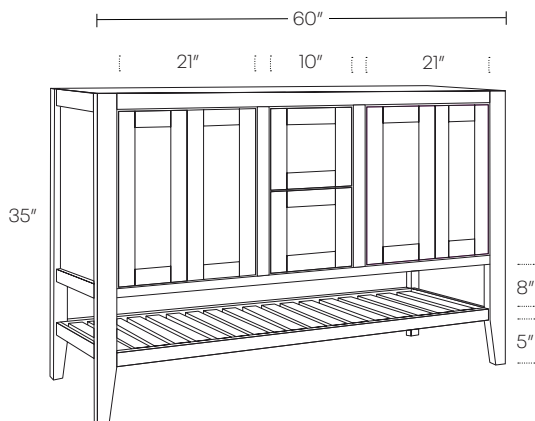
- Use tops pg. 164
- Open back
- Drawers cut for plumbing



Open Bottom Vanity

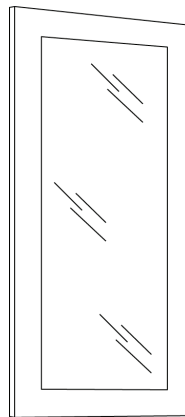
VOB6021-DC	1909
------------	------

• Use tops pg. 164

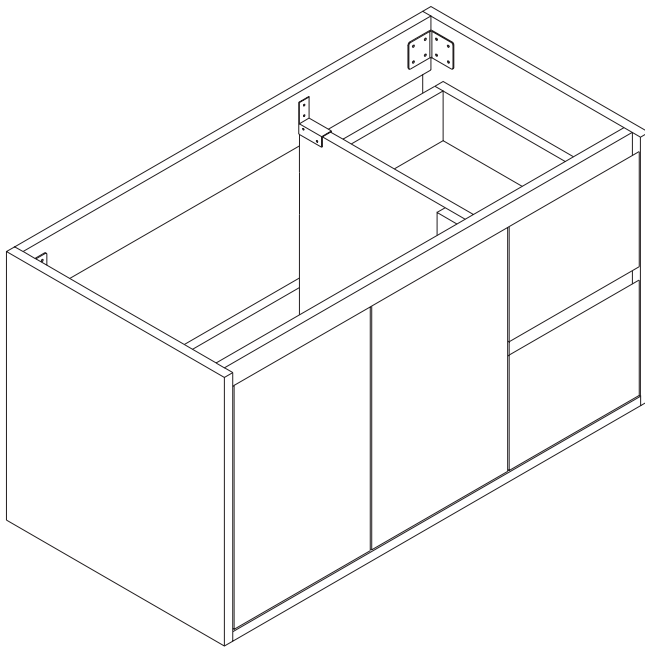


Mirror

MR1830	432
MR2430	543
MR3030	586
MR3630	647



**Surelle Floating Vanities**



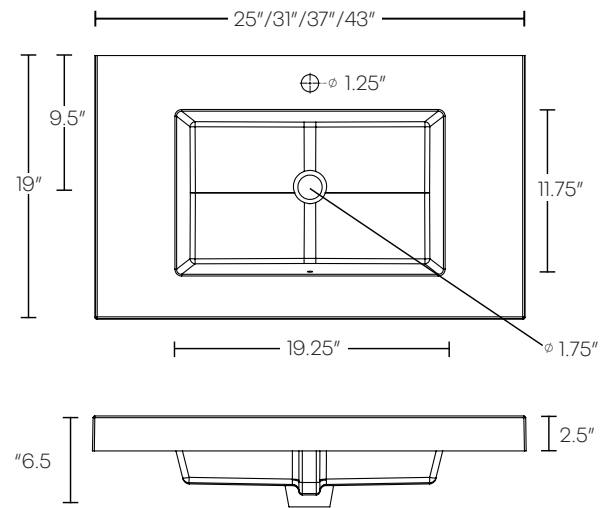
**Interior** — Finished with the same finish as the outside

**Drawers** — 3/4" thick slab with finger pull

**Hinges** — Heavy duty steel concealed adjustable soft close hinge.

**Glides** — High quality soft-close sidemounted glides.

\*Open back behind all doors

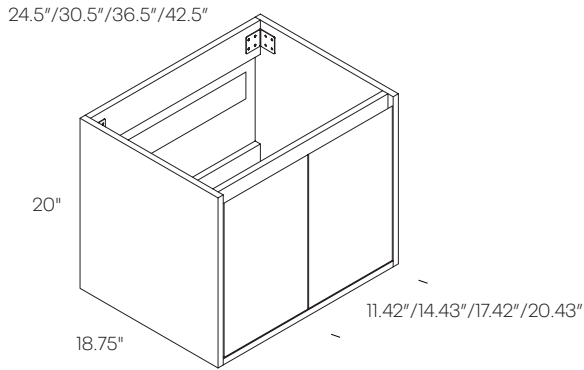


\*Vanity top only available in White

Finish	Price Code
SL30 - Bianca (gloss)	SL
SL31 - Grigio (gloss)	SL
SL32 - Cemento (texture)	SL
SL33 - Noce (texture)	SL

Item Number	Bianca SL30	Grigio SL31	Cemento SL32	Noce SL33
-------------	-------------	-------------	--------------	-----------

**Double Door Floating Vanity**



**vanity base**

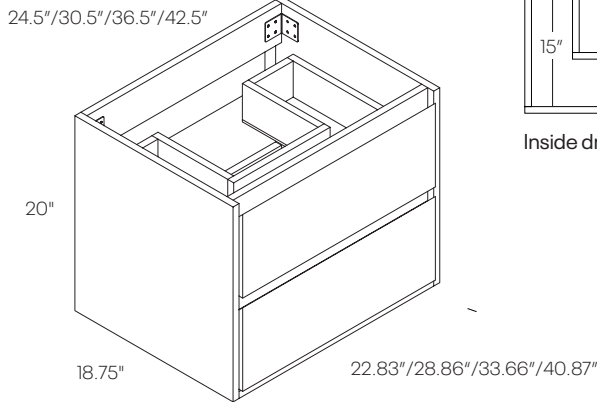
<b>V2418-20</b>	N/A	580	404	414
<b>V3018-20</b>	N/A	652	448	459
<b>V3618-20</b>	724	722	491	503
<b>V4218-20</b>	796	793	534	548

**vanity top**

<b>FT2-2519</b>	N/A	442	442	442
<b>FT2-3119</b>	N/A	541	541	541
<b>FT2-3719</b>	578	578	578	578
<b>FT2-4319</b>	623	623	623	623

- SLU30-V2418-20 has been discontinued
- SLU30-V3018-20 has been discontinued

**Double Drawer Floating Vanity**



**vanity base**

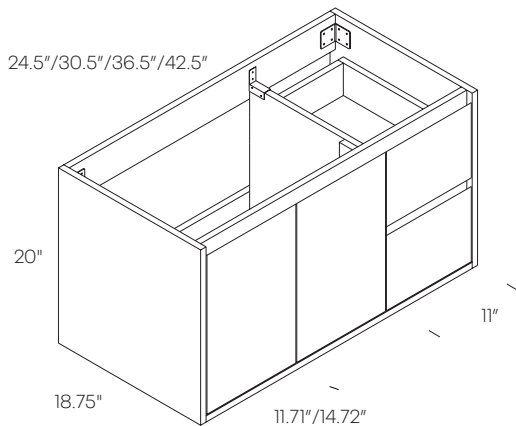
<b>VDB2418-20</b>	1080	1083	878	894
<b>VDB3018-20</b>	1179	1183	947	966
<b>VDB3618-20</b>	1294	1383	1027	1050
<b>VDB4218-20</b>	1377	1435	1086	1111

**vanity top**

<b>FT2-2519</b>	442	442	442	442
<b>FT2-3119</b>	541	541	541	541
<b>FT2-3719</b>	578	578	578	578
<b>FT2-4319</b>	623	623	623	623

- Drawers cut for plumbing

**Double Door and Drawer Floating Vanity**



**vanity base**

<b>V3618DL-20</b>	1212	1212	944	960
<b>V3618DR-20</b>	1212	1212	944	960
<b>V4218DL-20</b>	1495	1290	994	1011
<b>V4218DR-20</b>	1495	1290	994	1011

**vanity top**

<b>FT2-2519</b>	442	442	442	442
<b>FT2-3119</b>	541	541	541	541
<b>FT2-3719</b>	578	578	578	578
<b>FT2-4319</b>	623	623	623	623

# **Marble & Granite Countertops**

---

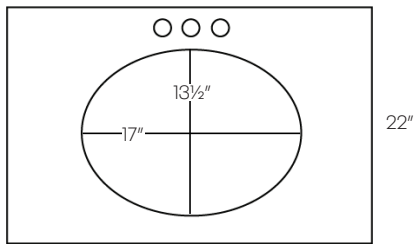
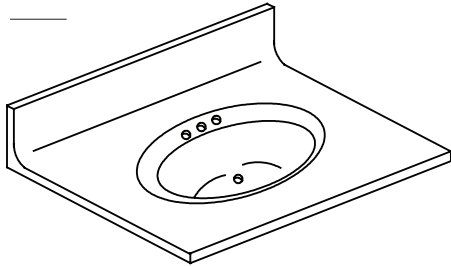


# Marble Countertops

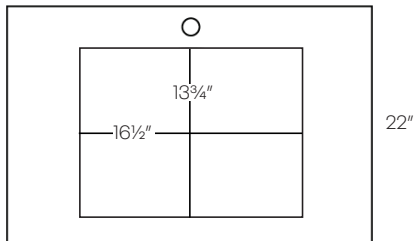
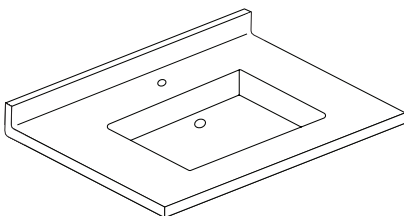
White

## Cultured Marble Top

### MT



### MTS



MT2-1917*	147
MT2-2519*	192
MT2-3119*	245
MT2-2522*	343
MT2-2822*	425
MT2-3122*	507
MT2-3422*	540
MT2-3722*	572
MT2-4322*	681
MT2-4922*	847
MTS2-2522	543
MTS2-2822	625
MTS2-3122	707
MTS2-3422	740
MTS2-3722	772
MTS2-4322	881
MTS2-4922	1047
MTS2-6122	930
MTS2-6122-DB	1013

**\*Sold only in the Northeast**

• Single bowl

\* Center bowl - 4" spread

	Burlywood (GBW)	Tiger Skin (GTS)	Wheat (GWT)	Cara White (GCW)	Cara White (GCW)	Gazian White (GGW)
--	-----------------	------------------	-------------	------------------	------------------	--------------------

## Granite Top

Includes:

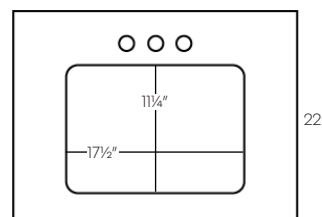
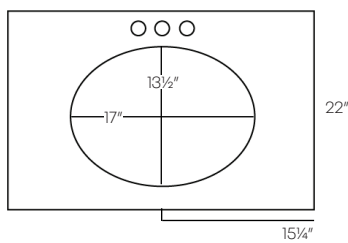
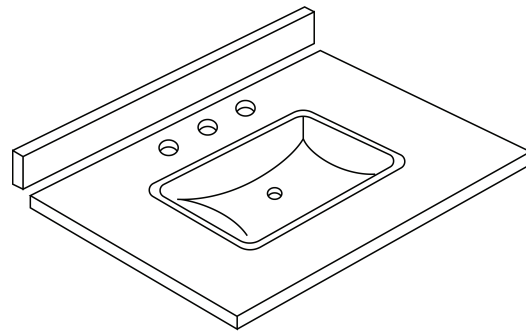
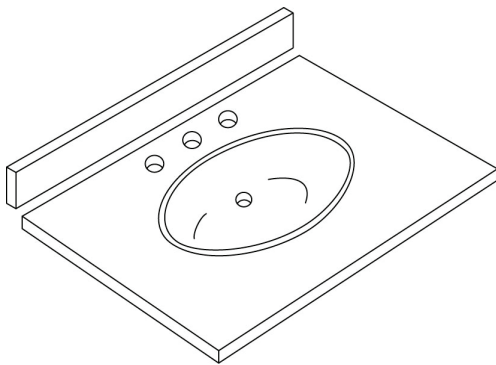
- White porcelain undermount bowl (installed)
- Loose 4" backsplash

- \* Center bowl - 4" spread
- \*\* Center bowl - 8" spread
- \*\*\* Double bowl - 8" spread

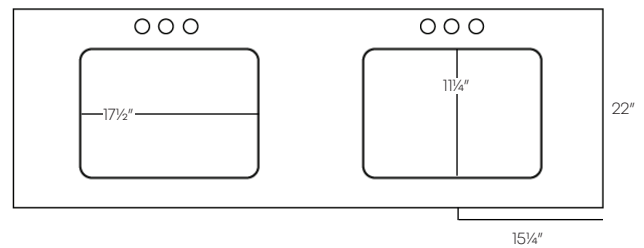
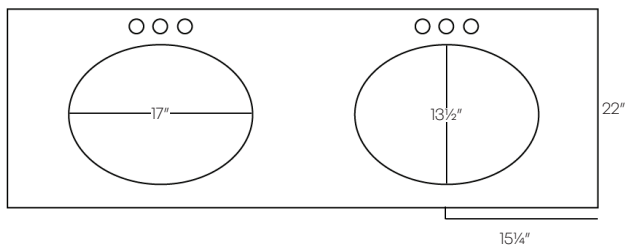
<b>2522-S4*</b>	491	499	524	748	899	676
<b>3122-S4*</b>	551	567	598	880	1058	743
<b>3722-S8**</b>	603	632	662	997	1195	808
<b>4322-S8**</b>	653	700	735	1106	1327	877
<b>4922-S8**</b>	739	781	821	1265	1518	947
<b>6122-S8**</b>	843	911	956	1491	1789	1196
<b>6122-D8***</b>	1011	1073	1129	1663	1994	1426
<b>SDSP-22</b> (side splash)	47	47	47	89	89	72
<b>6X6-SP</b> (sample)	13	13	13	13	13	13

### \*Sold only in the Northeast

- GCWS is square
- CGT6122-S8 will not fit on the Vanguard Vanity Collection



- 20% upcharge
- Only Available in CW and GGW



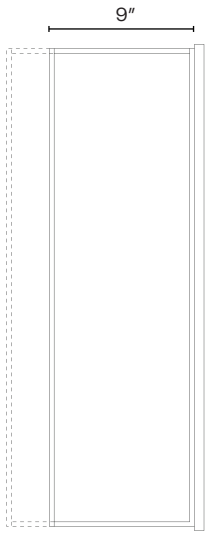


# **Modifications & Upgrades**

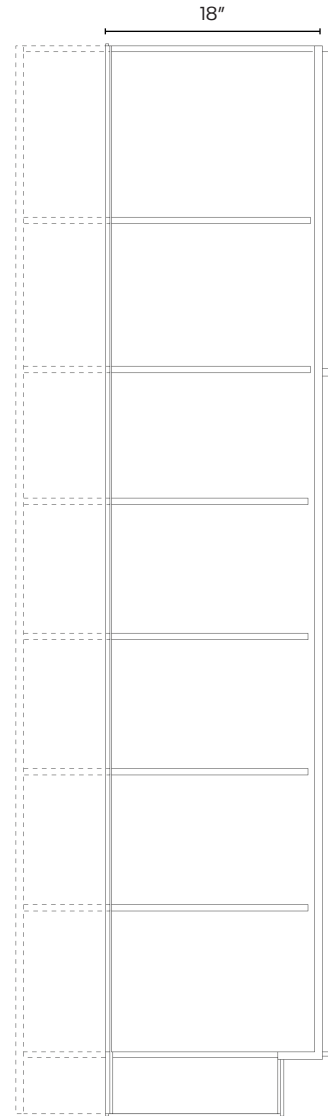
---

Only available on items shipped  
from the New Jersey warehouse

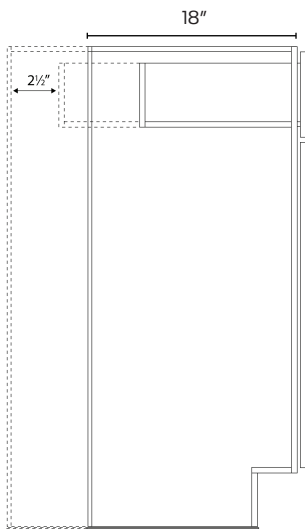
**Concord Collection**  
Modifications & Upgrades



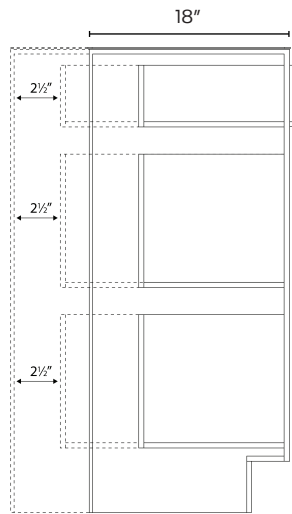
Wall Cabinet



Tall Cabinet



Base Cabinet



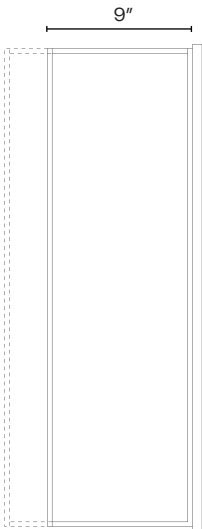
Drawer Base Cabinet

\*Dovetail not in back

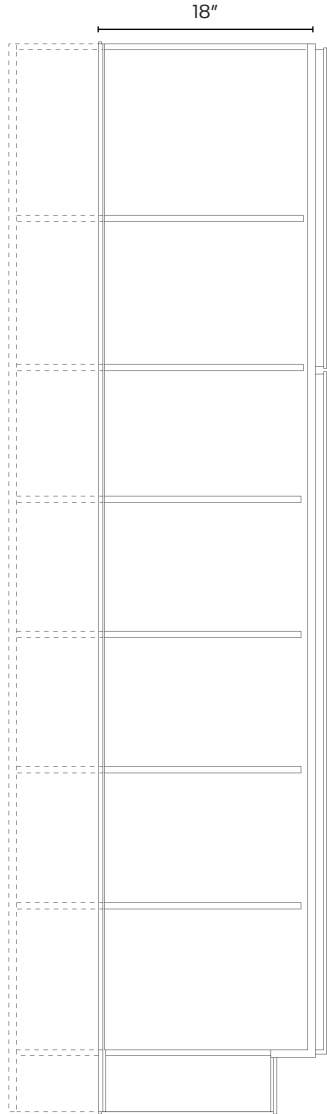
Cut Down Depth	Description	List Price
CT-BCUT*	Base cabinet, cut down depth	572
CT-DBCUT*	Drawer base cabinet, cut down depth	806
CT-TCUT*	Tall cabinet, cut down depth	806
CT-WCUT**	Wall cabinet, cut down depth	460

\*Can be cut down to 9", 12", 15", 18" & 21" | \*\*Can be cut down to 6", 9" & 11"

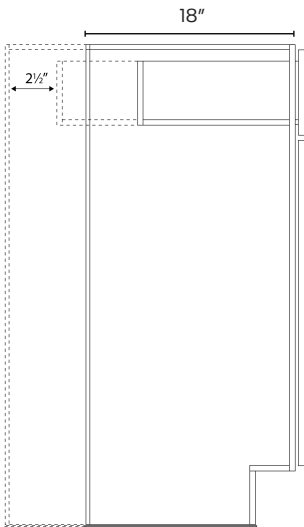
\*All 9" Base Cabinets will have a dummy drawer front



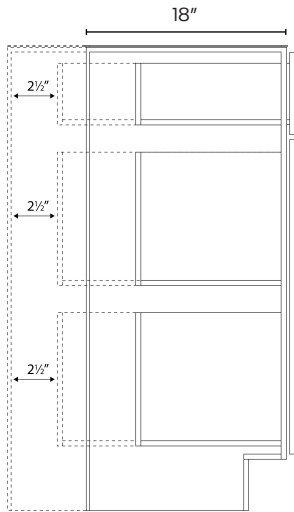
Wall Cabinet



Tall Cabinet



Base Cabinet



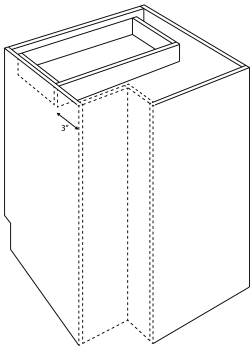
Drawer Base Cabinet

\*Dovetail not in back  
\*Classic only - RD to 21"

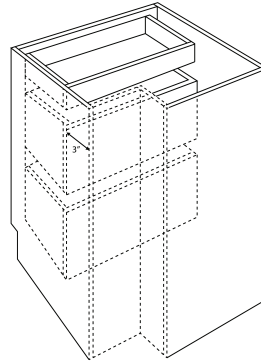
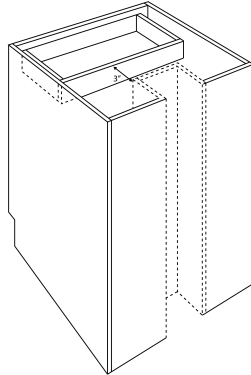
Cut Down Depth	Description	List Price
CT-BCUT*	Base cabinet, cut down depth	200
CT-DBCUT*	Drawer base cabinet, cut down depth	400
CT-TCUT*	Tall cabinet, cut down depth	400
CT-WCUT**	Wall cabinet, cut down depth	200

\*Can be cut down to 9", 12", 15", 18" & 21" | \*\*Can be cut down to 6", 9" & 11"  
\*All 9" Base Cabinets will have a dummy drawer front  
\*All 12" Classic Base Cabinets will have a dummy drawer front

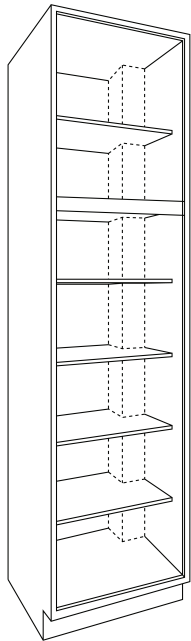
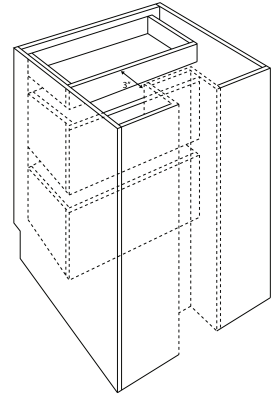
## Modifications & Upgrades



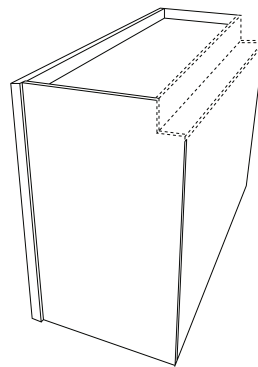
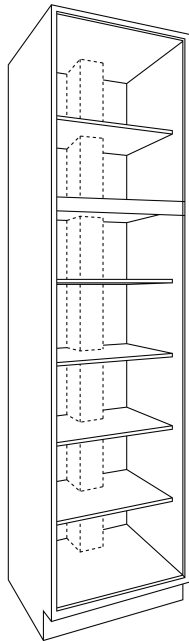
Base Cabinet



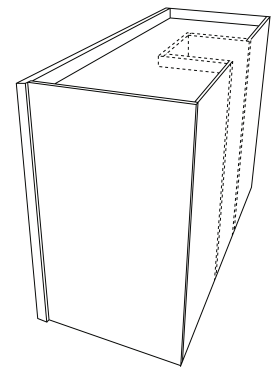
Drawer Base Cabinet



Tall Cabinet



Wall Cabinet



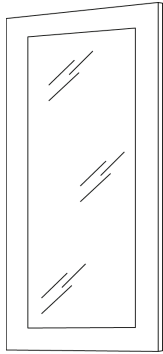
Chase Cuts	Description	List Price
CT-BCHASE	Base cabinet, chase cut	920
CT-DBCHASE	Drawer base cabinet, chase cut	1142
CT-TCHASE	Tall cabinet, chase cut	1266
CT-WCHASE	Wall cabinet, chase cut	806

•Non-stock cabinets, parts including doors and drawers, custom modifications, wood hoods and countertops (post form and self-edge) are not returnable.

•Must provide accurate drawings with your order

Item	Description	List Price
------	-------------	------------

**Door cut for glass**



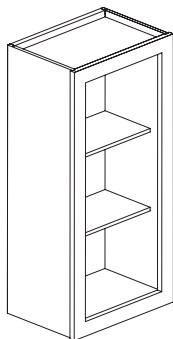
<b>CT-DCG</b>	Door cut for glass	205
<b>CT-DCG-GLI</b>	Door cut and insert glass	381
<b>CT-DCG-GLI-F</b>	Door cut and insert frosted glass	576
<b>CT-GLI</b>	Glass Insert	197
<b>CT-GLI-F</b>	Frosted glass insert	392

- Only Wall Cabinets can be cut for glass
- Loose glass not for sale
- \*Loose doors only available in Concord
- \*\*Per door cost shown above

**Luxor Full Depth Shelf**

<b>LU-SHELF-FD-B9</b>	Full Depth Shelf	
<b>LU-SHELF-FD-B12</b>	Full Depth Shelf	
<b>LU-SHELF-FD-B15</b>	Full Depth Shelf	
<b>LU-SHELF-FD-B18</b>	Full Depth Shelf	
<b>LU-SHELF-FD-B21</b>	Full Depth Shelf	
<b>LU-SHELF-FD-B24</b>	Full Depth Shelf	
<b>LU-SHELF-FD-B30</b>	Full Depth Shelf	
<b>LU-SHELF-FD-B33</b>	Full Depth Shelf	
<b>LU-SHELF-FD-B36</b>	Full Depth Shelf	
<b>LU-SHELF-FD-B39</b>	Full Depth Shelf	
<b>LU-SHELF-FD-B42</b>	Full Depth Shelf	
<b>LU-SHELF-FD-B48</b>	Full Depth Shelf	

**Finished Interior**



<b>CT-FINISH</b>	Finished Interior	50% Up-charge
------------------	-------------------	---------------

- Available only for Wall Cabinets in Concord Collection

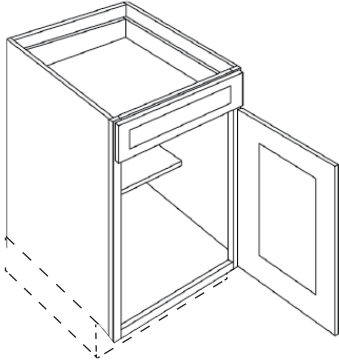
**Base Cabinet to Sink Base**

<b>CHARGE-SINK BASE</b>	Base to Sink Base	210
-------------------------	-------------------	-----



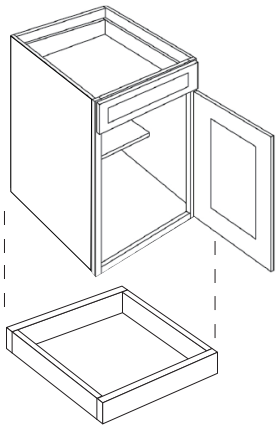
Item	Description	List Price
<b>CT-HANDICUT</b>	Base cabinet, cut off toe kick	116

**Remove Toe Kick**



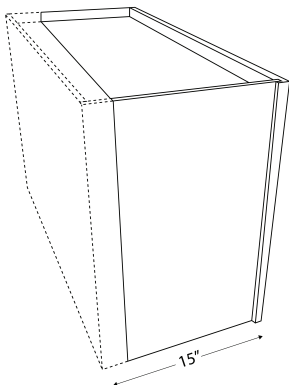
**Cut and Send Toe Kick**

<b>CT-HANDICUT</b>	Base cabinet, cut off toe kick and ship	116
--------------------	---	-----



**Wall**

<b>CT-EXDW</b>	Extended depth wall	806
----------------	---------------------	-----



- Can only be extended to 15", 18", 21" & 24"
- Only available for Classic & Concord

# **Cabinet Care & Warranty**

---

## **Finish Awareness Statement**

Thank you for choosing a stained finish product from CNC Cabinetry. When purchasing cabinetry, we would like to ensure our customers are properly educated on the characteristics of the wood used and the finished wood they are purchasing. Please review the following "Finish Awareness Statement".

All of CNC's finishes are applied in the same manner and with the same quality standards. There are some unique characteristics with stained finishes across all wood species, and it is important to understand that these characteristics are not considered quality defects.

**1. Wood in its natural state expands and contracts. Because of this natural movement, you may find evidence of slight cracks in joint lines on doors and face frames. Center panels will shrink exposing minor unfinished areas of wood. These slight cracks are normal and not considered quality defects. Proper humidification should be maintained during storage and after installation.**

**2. Every tree grows differently giving each piece of wood its own unique characteristics. By the very nature of wood, grain patterns and other wood characteristics including mineral streaks, knots, and other variations are considered normal. Because of this, stain will appear differently across the same cabinet. This is the natural beauty of the wood.**

**3. End grains on door edges and panel profiles may exhibit open grain or voids in wood appearing as "Rough Spots" in the wood. Stains often highlight indentions into the wood. These imperfections are normal and are not considered quality defects.**

**4. Light-colored wood may heighten light-and-dark effects, and cause blotchiness when medium or dark stains are applied. These are natural occurrences and are within CNC's strict standards of wood-finishing.**

These imperfections are normal and will not be considered as reasons for replacement.

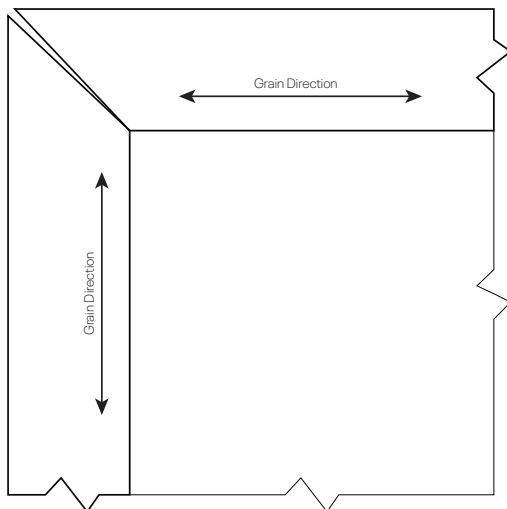
We, the manufacturer, nor your authorized dealer will replace products or issue credit based on any of the above reasons.

## Treat your Cabinets with Care:

- Use a soft cotton cloth.
- Do not use abrasive materials (including paper towels).
- Only use soap and warm water.
- Do not spray directly onto the cabinets.
- Do not use any chemicals.  
(Note, when using a spray for other items placed near your cabinetry, be careful not to overspray on your cabinets)
- Wipe spills promptly and do not leave wet items against the wood.
- Clean glass doors with a glass cleaner.  
(Be careful not to overspray on the wood)
- You can repair small nicks and scratches with our touch up kits.
- Waxing and polishing is not recommended as this can create a film or wax build up on your cabinets and affect the finish.
- You can dust your cabinets with a lightly damp cloth.  
(Follow the grain of the wood wiping across can cause scratches)

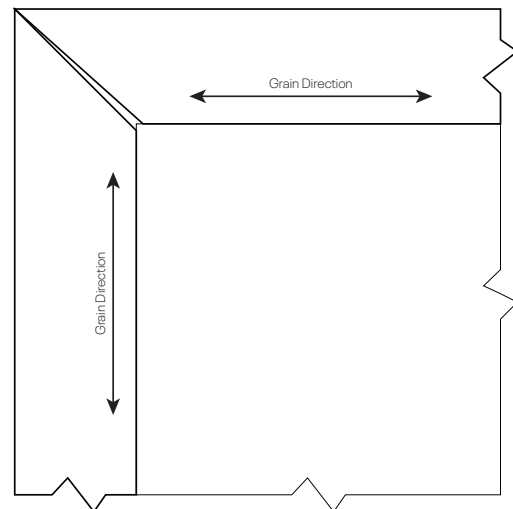
## Humidification effects on door with a Miter Joint

High Humidity



When wood swells, miter joints open as shown above

Low Humidity



When wood shrinks, miter joints open as shown above

\* Humidification is normal and is not considered a need for replacement.

## Limited Lifetime Warranty:

CNC Cabinetry Inc. ("CNC") provides the following limited lifetime warranty to the original Residential Purchaser of all cabinetry and vanities manufactured by CNC. This Limited Lifetime Warranty ("Warranty") is only applicable to cabinets and vanities sold to the original Residential purchaser (as defined below) and used in the applications described below within the United States.

Except as allowed by applicable law, you may not assign or transfer this Warranty.

Under this Warranty, an original Residential purchaser is defined as an individual who purchases and installs the cabinets and vanities in a dwelling that is owned and used by that person as a primary or secondary home. A primary or secondary home does not include rental property. This Warranty does not apply to landlords, leasing companies or other commercial purchasers. Original residential purchaser shall include any business or person such as a builder, contractor or developer that purchases and install CNC cabinets and vanities in a newly constructed or renovated dwelling that will be used by the initial owner/purchaser of that dwelling as a primary or secondary home.

Subject to the limitations and exclusions set forth, CNC warrants to the original Residential purchaser that the cabinets and vanities will be free from defects in material and workmanship, Damage that occurs during normal wear and tear, or damage due to exposure to moisture or extreme temperatures are not covered under the warranty.

The Warranty period for the cabinets and vanities begin on the date the cabinet and vanity were purchased, whether purchased by you or by a third party on your behalf. Your warranty is only valid if you used the dwelling as your primary or secondary home and does not extend to future owners if the property is sold.

This Warranty does not apply to cabinets or vanities: 1. Installed outdoors; 2. misused, abused, or unauthorized alterations; 3. Improperly stored or placed in humid environment or subjected to improper temperatures; 4. Damaged due to flood, fire or other natural disasters; 5. Exhibiting normal wear and tear; 6. Which have been improperly installed, maintained or cleaned. In the event of a defect in the workmanship or materials occurring during the warranty period, CNC will at its option, repair or replace any defective cabinet or vanity or component provided, if it is commercially feasible. If it is not commercially feasible, CNC reserves the right to provide a credit towards a similar type of product sold by CNC. This is your sole and exclusive remedy for any defects.

This Warranty is limited to the replacement of defective parts only and does not include service, labor or transportation charges related to the removal or installation of the defective or replacement parts. This Warranty does not apply to any products used in conjunction with the cabinetry, or vanity, such as countertops, appliances, plumbing fixtures, decorative hardware, lighting. Repair or replacement remedies offered under this Warranty are subject to the current product offerings of styles and construction of CNC at that time. If a warranty claim is filed after a product has been discontinued or obsolete, CNC reserves the right at its sole option, to replace that part with one of the same or similar style based on availability and cannot guarantee an exact match.

The remedies described above are the sole and exclusive remedies and CNC's entire liability for any breach of this Warranty. Total liability shall under no circumstances exceed the actual amount paid for the defective cabinet or vanity. CNC shall not be responsible for any consequential, incidental, special or punitive damages. This Warranty gives you specific legal rights and you may also have other rights which vary from state to state.

For replacements under CNC's limited lifetime warranty, contact your authorized CNC dealer who will arrange for inspection of the cabinet. A dated sales receipt as proof of purchase is required to obtain benefits from this warranty, if you have difficulty reaching your dealer, you may reach out to CNC Cabinetry directly.













**Headquarters**

101 Kentile Road  
South Plainfield, NJ 07080

**South East**

4501 Homerun Blvd. # 300  
Davenport, FL 33837

**Mid Atlantic**

2000 Nazareth Church Rd  
Spartanburg, SC 29301

**West Coast**

3475 North Las Vegas Blvd  
Las Vegas, NV 89115

**South West**

2300 East Bardin Road  
Arlington, TX 76018

