

The logo for CNC Cabinetry, featuring the lowercase letters 'cnc' in a bold, black, sans-serif font on a yellow square background with a subtle wavy pattern.

cnc

cabinetry®

2024

A dark blue, semi-transparent banner with the text 'Storage Solutions' in white, sans-serif font. A thin yellow horizontal line is positioned below the text.

Storage Solutions





Waste Containers	4
Corner Accessories	9
Base Accessories	13
Tall Accessories	21
Vanity Accessories	24
Drawer Accessories	29
Sink Accessories	34
Wall Accessories	39
Lazy Susan	41



Waste Containers

RV Chrome Wire Bottom Mount

- Designed for 15" base cabinet applications
- Single 35 qt. polymer containers - metallic silver
- 4-screw installation
- Chrome-plated wire frame
- Full-extension, ball-bearing, 100 lb. rated slides
- Rear storage
- Mounts to cabinet floor
- Door mount kit (sold separately)

Featuring
blum



RV Chrome Wire Bottom Mount Waste Container Pullouts w/ Full-Extension Slides - Works with Country, Luxor, Concord, Classic

PRODUCT	DESCRIPTION	DIMS	MCO	CAB	FINISH	LIST PRICE	W/INSTALL
RV-12KD-17C S	Single 35 qt. w/ 18" slides	10-5/8" (270 mm) W x 22" (559 mm) D x 19-1/4" (489 mm) H	11" (279 mm)	B15	Silver/Chrome	\$320	\$400
RV-12KD-18C S	Single 35 qt. w/ 18" slides	10-5/8" (270 mm) W x 22" (559 mm) D x 19-1/4" (489 mm) H	11" (279 mm)	B15	Black/Chrome	\$462	\$542
Accessories							
RV DM KIT	Door Mount Kit				Silver Epoxy	\$114	

(1) Single 35 qt. waste container included.

Maple Bottom Mount MOVENTO Waste Container Pullouts

- Designed for 15", 18" and 21" base cabinets
- Single and double 35 and 50 qt. polymer containers, metallic silver
- Maple dovetail frame with semi-gloss finish
- Full-extension with 3/4" over-travel, MOVENTO, 132 lb. rated, concealed slides with BLUMOTION® soft-close
- Rear storage with all single units
- Mounts to cabinet door and floor
- Patented door mount brackets with micro-adjustment (US Patent No. 8,388,076)
- TSCA Title VI compliant

Featuring
blum



REV-A-SHELF
Innovation through Organization

Maple Bottom Mount MOVENTO Waste Container Pullouts w/ BLUMOTION Soft-Close - Works with Country, Luxor, Concord, Classic

PRODUCT	DESCRIPTION	DIMS	MCO	CAB	FINISH	LIST PRICE	W/ INSTALL
4WCSC-1535DM-1	Single 35 qt.	12" (305 mm) W x 21-3/4" (553 mm) D x 19-1/2" (496 mm) H	12" (305 mm)	B15	Silver/Maple	\$1,392	\$1,472
4WCSC-1835DM-2	Double 35 qt.	15" (381 mm) W x 21-3/4" (553 mm) D x 20-3/8" (518 mm) H	15" (381 mm)	B18	Silver/Maple	\$1,500	\$1,580
4WCSC-2135DM-2	Double 35 qt.	18" (470 mm) W x 21-3/4" (553 mm) D x 20-3/8" (518 mm) H	18" (457 mm)	B21	Silver/Maple	\$1,591	\$1,671
4WCSC-2150DM-2	Double 50 qt.	18" (458 mm) W x 21-3/4" (553 mm) D x 24-1/4" (616 mm) H	18" (457 mm)	BH21-FH	Silver/Maple	\$1,658	\$1,738

Waste container(s) included

Steel Bottom Mount

- Designed for 15" and 18" base cabinets
- Single 35 and double 35 and 50 qt. polymer containers, metallic silver
- Full-extension, progressive roller, 90 lb. rated, concealed slides with soft-close
- Powder-coated wire frame, available in metallic silver
- Mounts to cabinet floor
- Patented door mounting brackets (US Patent No. 6,390,576)
- Rear storage bin with all single units



Steel Bottom Mount Waste Container Pullouts w/ Soft-Close Slides - Works with Country, Luxor, Concord, Classic

PRODUCT	DESCRIPTION	DIMS	MCO	CAB	FINISH	LIST PRICE	W/ INSTALL
53WC-1535SCDM-117	Single 35 qt.	10-7/8" (276 mm) W x 22-1/4" (565 mm) D x 19" (483 mm) H	11-1/2" (292 mm)	B15	Metallic Silver	\$734	\$814
53WC-1835SCDM-217	Double 35 qt.	14-3/8" (365 mm) W x 22-1/4" (565 mm) D x 19" (483 mm) H	15" (381 mm)	B18	Metallic Silver	\$780	\$860
53WC-2150SCDM-217	Double 50 qt.	14-3/4" (375 mm) W x 22-1/4" (565 mm) D x 22-7/8" (581 mm) H	15" (381 mm)	FHB18	Metallic Silver	\$793	\$873



Corner Accessories

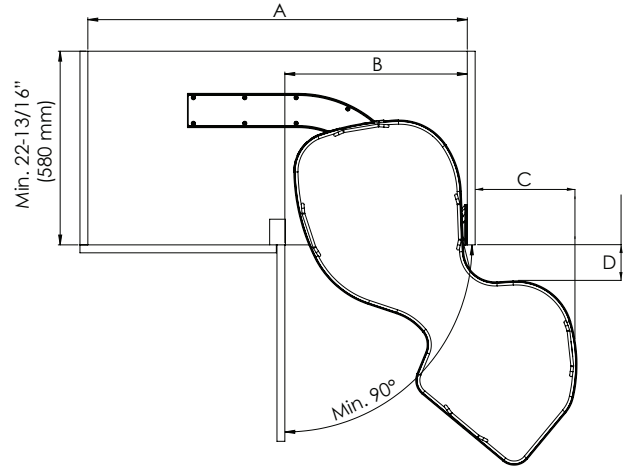


5371-21-GR-R
Single Blind Corner organizer for
Right Door/Blind Left Cabinet
(21" Gray Shelf shown)



PRODUCT #	SURFACE AREA
5371-18	471 sq. in.
5371-21	527 sq. in.
5372-18	942 sq. in.
5372-21	1054 sq. in.

Min. Dimensions				
PRODUCT #	A	B	C	D
5371-18/5372-18	38" (965 mm)	18" (457 mm)	9-3/16" (233 mm)	3-9/16" (91 mm)
5371-21/5372-21	40" (1016 mm)	21" (533 mm)	9-1/4" (235 mm)	3-7/8" (98 mm)



	MAPLE		GRAY		
	LIST \$	W/INSTALL	LIST \$	W/INSTALL	
5371-18-MP-R	\$1,016	\$1,136	5371-18-GR-R	\$1,016	\$1,136
5371-18-MP-L	\$1,016	\$1,136	5371-18-GR-L	\$1,016	\$1,136
5371-21-MP-R	\$1,034	\$1,154	5371-21-GR-R	\$1,034	\$1,154
5371-21-MP-L	\$1,034	\$1,154	5371-21-GR-L	\$1,034	\$1,154
5372-18-MP-R	\$2,539	\$2,659	5372-18-GR-R	\$2,539	\$2,659
5372-18-MP-L	\$2,539	\$2,659	5372-18-GR-L	\$2,539	\$2,659
5372-21-MP-R	\$2,627	\$2,747	5372-21-GR-R	\$2,627	\$2,747
5372-21-MP-L	\$2,627	\$2,747	5372-21-GR-L	\$2,627	\$2,747

NOTE: ** Insert "MP" for Maple Shelf or "GR" for Gray Shelf

Single Blind Corner for Right Door/Blind Left Cabinets - Works with Country, Luxor, Concord

PRODUCT	DESCRIPTION	DIMS	MCO	CAB
5371-18-**-R	Single for 18" Cabinet Opening	37-5/8" (956 mm) W x 21-9/16" (548 mm) D x 6-1/2" (165 mm) H	18" (457 mm)	BLB42/45

Single Blind Corner for Right Door/Blind Left Cabinets - Works with Classic

5371-21-**-R	Single for 21" Cabinet Opening	39" (991 mm) W x 21-3/4" (553 mm) D x 6-1/2" (165 mm) H	21" (533 mm)	BLB45/48
--------------	--------------------------------	---	--------------	----------

Single Blind Corner for Left Door/Blind Right Cabinets - Works with Country, Luxor, Concord

5371-18-**-L	Single for 18" Cabinet Opening	37-5/8" (956 mm) W x 21-9/16" (548 mm) D x 6-1/2" (165 mm) H	18" (457 mm)	BLB42/45
--------------	--------------------------------	--	--------------	----------

Single Blind Corner for Left Door/Blind Right Cabinets - Works with Classic

5371-21-**-L	Single for 21" Cabinet Opening	39" (991 mm) W x 21-3/4" (553 mm) D x 6-1/2" (165 mm) H	21" (533 mm)	BLB45/48
--------------	--------------------------------	---	--------------	----------

Double Blind Corner for Right Door/Blind Left Cabinets - Works with Country, Luxor, Concord

5372-18-**-R	Double for 18" Cabinet Opening	37-5/8" (956 mm) W x 21-9/16" (548 mm) D x 24-7/16" (621 mm) - 30-1/4" (768 mm) H	18" (457 mm)	BLB42/45
--------------	--------------------------------	---	--------------	----------

Double Blind Corner for Right Door/Blind Left Cabinets - Works with Classic

5372-21-**-R	Double for 21" Cabinet Opening	39" (991 mm) W x 21-3/4" (553 mm) D x 24-7/16" (621 mm) - 30-1/4" (768 mm) H	21" (533 mm)	BLB45/48
--------------	--------------------------------	--	--------------	----------

Double Blind Corner for Left Door/Blind Right Cabinets - Works with Country, Luxor, Concord

5372-18-**-L	Double for 18" Cabinet Opening	37-5/8" (956 mm) W x 21-9/16" (548 mm) D x 24-7/16" (621 mm) - 30-1/4" (768 mm) H	18" (457 mm)	BLB42/45
--------------	--------------------------------	---	--------------	----------

Double Blind Corner for Left Door/Blind Right Cabinets - Works with Classic

5372-21-**-L	Double for 21" Cabinet Opening	39" (991 mm) W x 21-3/4" (553 mm) D x 24-7/16" (621 mm) - 30-1/4" (768 mm) H	21" (533 mm)	BLB45/48
--------------	--------------------------------	--	--------------	----------

PRODUCT #	SURFACE AREA
5371-15	361 sq. in.
5371-18	471 sq. in.
5371-21	527 sq. in.
5372-15	722 sq. in.
5372-18	942 sq. in.
5372-21	1054 sq. in.

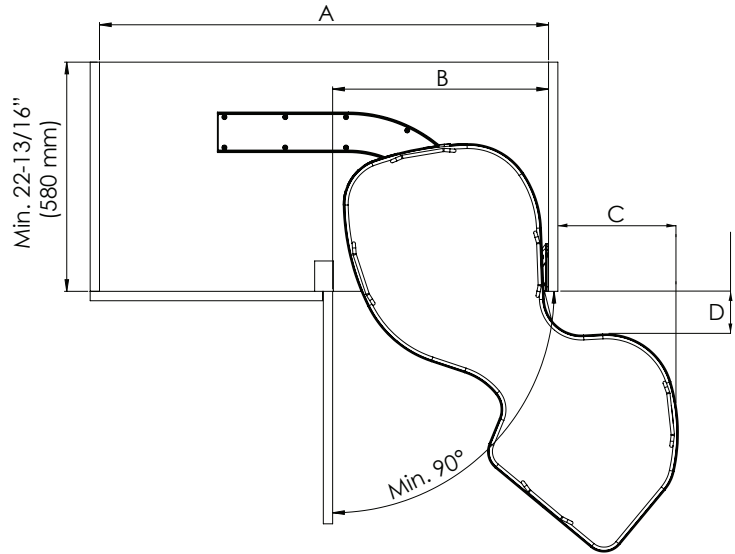
Min. Dimensions				
PRODUCT #	A	B	C	D
5371-15/ 5372-15	34" (864 mm)	15" (381 mm)	7" (180 mm)	4-1/8" (106 mm)
5371-18/5372-18	38" (965 mm)	18" (457 mm)	9-3/16" (233 mm)	3-9/16" (91 mm)
5371-21/5372-21	40" (1016 mm)	21" (533 mm)	9-1/4" (235 mm)	3-7/8" (98 mm)



5371-21-FOG-L
Single Blind Corner organizer for
Left Door/Blind Right Cabinet
(21" Shelf shown)



Featuring orion gray flat wire with
textured linen solid bottom



Single Blind Corner for Right Door/Blind Left Cabinets - Works with Country, Luxor, Concord

PRODUCT	DESCRIPTION	DIMS	MCO	CAB	FINISH	LIST PRICE	W/ INSTALL
5371-18-FOG-R	Single for 18" Cabinet Opening	37-5/8" (956 mm) W x 21-9/16" (548 mm) D x 6-1/2" (165 mm) H	18" (457 mm)	BC45	Orion Gray	\$1,178	\$1,298

Single Blind Corner for Right Door/Blind Left Cabinets - Works with Classic \$1,088

5371-21-FOG-R	Single for 21" Cabinet Opening	39" (991 mm) W x 21-3/4" (553 mm) D x 6-1/2" (165 mm) H	21" (533 mm)	BC48	Orion Gray	\$1,143	\$1,263
---------------	--------------------------------	---	--------------	------	------------	---------	---------

Single Blind Corner for Left Door/Blind Right Cabinets - Works with Country, Luxor, Concord

5371-18-FOG-L	Single for 18" Cabinet Opening	37-5/8" (956 mm) W x 21-9/16" (548 mm) D x 6-1/2" (165 mm) H	18" (457 mm)	BC45	Orion Gray	\$1,178	\$1,298
---------------	--------------------------------	--	--------------	------	------------	---------	---------

Single Blind Corner for Left Door/Blind Right Cabinets - Works with Classic

5371-21-FOG-L	Single for 21" Cabinet Opening	39" (991 mm) W x 21-3/4" (553 mm) D x 6-1/2" (165 mm) H	21" (533 mm)	BC48	Orion Gray	\$1,143	\$1,263
---------------	--------------------------------	---	--------------	------	------------	---------	---------

Double Blind Corner for Right Door/Blind Left Cabinets - Works with Country, Luxor, Concord

5372-18-FOG-R	Double for 18" Cabinet Opening	37-5/8" (956 mm) W x 21-9/16" (548 mm) D x 24-1/2" (622 mm) - 30-1/4" (768 mm) H	18" (457 mm)	BC45	Orion Gray	\$2,714	\$2,834
---------------	--------------------------------	--	--------------	------	------------	---------	---------

Double Blind Corner for Right Door/Blind Left Cabinets - Works with Classic

5372-21-FOG-R	Double for 21" Cabinet Opening	39" (991 mm) W x 21-3/4" (553 mm) D x 24-1/2" (622 mm) - 30-1/4" (768 mm) H	21" (533 mm)	BC48	Orion Gray	\$2,758	\$2,878
---------------	--------------------------------	---	--------------	------	------------	---------	---------

Double Blind Corner for Left Door/Blind Right Cabinets - Works with Country, Luxor, Concord

5372-18-FOG-L	Double for 18" Cabinet Opening	37-5/8" (956 mm) W x 21-9/16" (548 mm) D x 24-1/2" (622 mm) - 30-1/4" (768 mm) H	18" (457 mm)	BC45	Orion Gray	\$2,714	\$2,834
---------------	--------------------------------	--	--------------	------	------------	---------	---------

Double Blind Corner for Left Door/Blind Right Cabinets - Works with Classic

5372-21-FOG-L	Double for 21" Cabinet Opening	39" (991 mm) W x 21-3/4" (553 mm) D x 24-1/2" (622 mm) - 30-1/4" (768 mm) H	21" (533 mm)	BC48	Orion Gray	\$2,758	\$2,878
---------------	--------------------------------	---	--------------	------	------------	---------	---------

Wood Half-Moon Lazy Susan

- Designed for 12" and 15" blind corner cabinet openings
- Double solid bottom shelves in wood classic finish
- Features solid rim and natural features steam bent rim
- Pivot and slide hardware
- Standard mounting brackets
- Chrome-plated shafts
- TSCA Title VI compliant

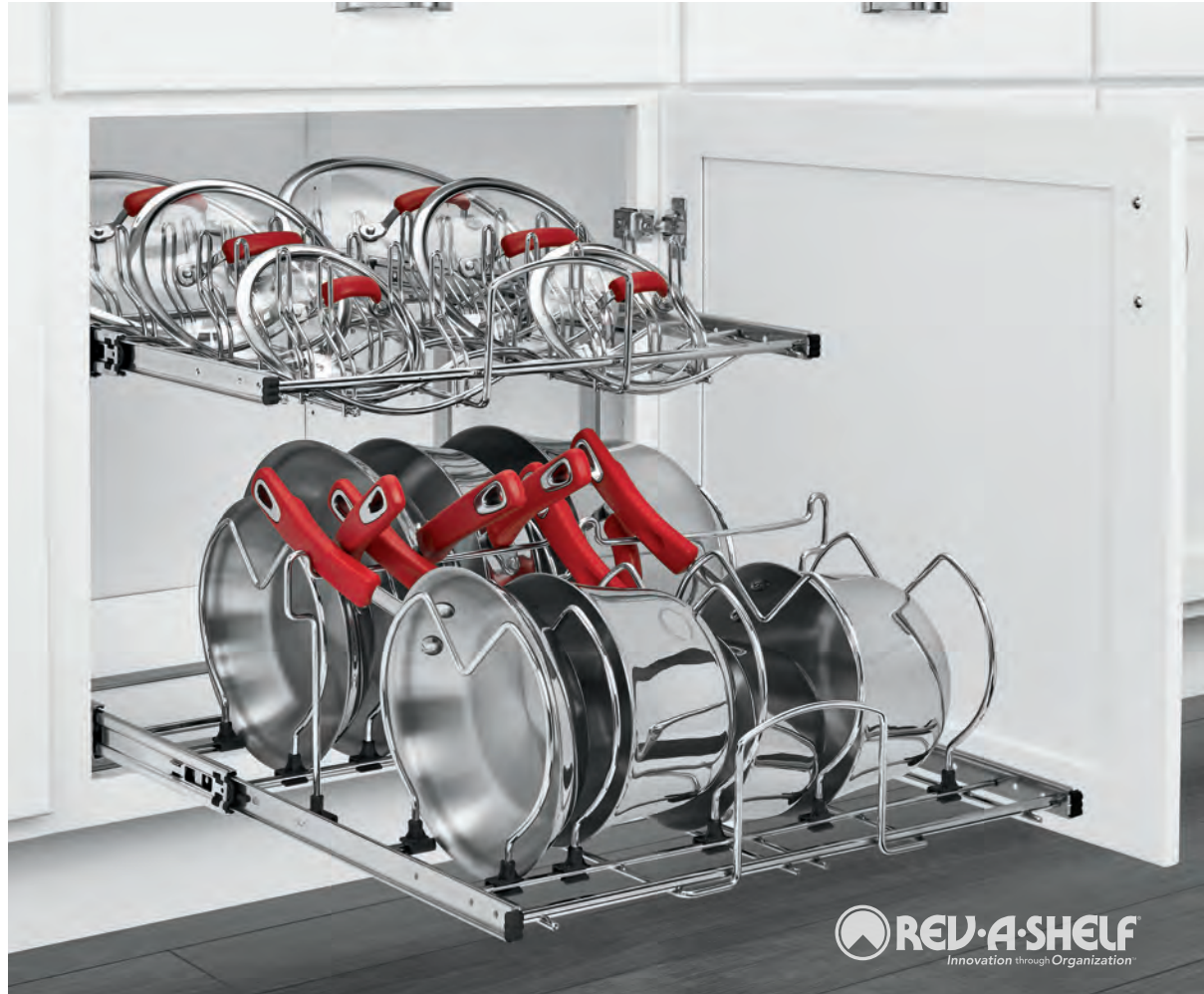


Wood Classic Half Moon Lazy Susans - Works with Country, Luxor, Concord

PRODUCT	DESCRIPTION	DIMS	MCO	CAB	FINISH	LIST PRICE	W/ INSTALL
4WLS882-32-570	Double Shelf with Pivot and Slide	32" (813 mm) L	12" (305 mm)	BLB42/45	Maple	\$1,336	\$1,456
4WLS882-35-570	Double Shelf with Pivot and Slide	35" (889 mm) L	15" (381 mm)	BLB45/48	Maple	\$1,563	\$1,683



Base Accessories



Two-Tier Cookware Organizer

- Designed for 24" base cabinets
- Chrome-plated wire frame
- Full-extension, ball-bearing slides, 100 lb. rated with soft-close
- Independently operating shelves that accommodate a variety of cookware sizes & brands
- Top tier organizes lids
- Bottom tier with adjustable dividers stores a variety of larger pots and pans
- Mounts to cabinet floor, side and rear wall (US Patent No: D588,415)
- U-shaped bracket for added support

Two-Tier Cookware Organizer w/ Ball-Bearing Soft-Close - Works with Country, Luxor, Concord, Classic

PRODUCT	DESCRIPTION	DIMS	MCO	CAB	FINISH	LIST PRICE	W/ INSTALL
5CW2-2122SC-CR	Cookware Organizer	20-3/4" (527 mm) W x 22" (559 mm)D x 18-1/8" (460 mm)H	21" (533 mm)	B24	Chrome	\$1,292	\$1,372



Tray Divider w/ Clips

- Available in 12" and 18" height
- Chrome-plated round wire
- Mount to cabinet floor and rear wall
- Includes (4) screw-in clips and fasteners each
- Use multiple to create custom storage space (Installation not offered on this item)

Chrome Wire Tray Divider - Work with Country, Luxor, Concord, Classic

PRODUCT	DESCRIPTION	DIMS	FINISH	LIST PRICE	W/ INSTALL
597-12CR-52	Tray Divider with Clips	3/4" (19 mm) W x 20" (508 mm) D x 12" (305 mm) H	Chrome Wire	\$49	\$129
597-18CR-52	Tray Divider with Clips	3/4" (19 mm) W x 20" (508 mm) D x 18" (458 mm) H	Chrome Wire	\$62	\$142



Base Cabinet Filler

- Designed for 6" base filler applications
- Natural maple construction with semi-gloss finish
- Full-extension, ball-bearing slides
- Adjustable shelves with chrome rails
- 3-slide design
- Create a functional storage space behind decorative panels
- TSCA Title VI compliant

Base Cabinet Filler - Works with Country, Luxor, Concord, Classic

PRODUCT	DESCRIPTION	DIMS	FINISH	LIST PRICE	W/ INSTALL
432-BF-6C	6" Base Filler Organizer	6" (152 mm) W x 23" (584 mm) D x 30" (762 mm) H	Maple	\$1,010	\$1,090



BLUMOTION® Base Cabinet Filler

- Designed for 6" base filler applications
- Natural maple construction with semi-gloss finish
- BLUMOTION® soft-close slides
- Adjustable shelves with chrome rails
- Middle shelf is solid for extra support
- Create a functional storage space behind those decorative panels
- TSCA Title VI compliant



Base Cabinet Filler w/ BLUMOTION Soft-Close - Works with Country, Luxor, Concord, Classic

PRODUCT	DESCRIPTION	DIMS	FINISH	LIST PRICE	W/ INSTALL
432-BFSC-6C	6" Base Filler Organizer	6" (152 mm) W x 23" (584 mm) D x 30" (762 mm) H	Maple	\$ 1,309	\$1,389

BLUM® Soft-Close Base Cabinet Pullout

- Designed for full access 9" and 12", face frame 9" and 12" full height and 9", 12" and 15" drawer/door base cabinets
- Natural maple construction with semi-gloss finish
- Full-extension slides with BLUMOTION soft-close
- Patented mounting straps (US Patent No. 9,756,941)
- Adjustable shelves with chrome rails
- Adjustable rub bushings
- Patented door mount brackets provide 5" of adjustability and include micro-trim adjuster (US Patent No. 8,388,076)
- TSCA Title VI compliant



Base Cabinet Pullout w/ BLUMOTION Soft-Close for Full Height - Works with Country, Luxor, and Concord

PRODUCT	DESCRIPTION	DIMS	CAB	FINISH	LIST PRICE	W/ INSTALL
448-BCSC-5C	Base Organizer	6" (152 mm) W x 21-5/8" (549 mm) D x 25-1/2 - 29-1/2" (648- 749 mm) H	B9-FH	Maple	\$1,135	\$1,215
448-BCSC-8C	Base Organizer	8-3/4" (222 mm) W x 21-5/8" (549 mm) D x 25-1/2 - 29-1/2" (648- 749 mm) H	B12-FH	Maple	\$1,236	\$1,316

Full Access Base Cabinet Pullout w/ BLUMOTION Soft-Close - Works with Classic

448-BCSC-6C	Base Organizer	7-1/4" (184 mm) W x 21-5/8" (549 mm) D x 25-1/2 - 29-1/2" (648- 749 mm) H	B9-FH	Maple	\$1,228	\$1,308
448-BCSC-9C	Base Organizer	10-1/4" (260 mm) W x 21-5/8" (549 mm) D x 25-1/2 - 29-1/2" (648- 749 mm) H	B12-FH	Maple	\$1,458	\$1,538

Base Cabinet Pullout w/ BLUMOTION Soft-Close for Drawer/Door - Works with Country, Luxor, and Concord

448-BDDSC-5C	Base Organizer	5-29/32" (150 mm) W x 21-5/8" (549 mm) D x 19-3/8 - 23-3/8" (493- 594 mm) H	B9	Maple	\$911	\$991
448-BDDSC-8C	Base Organizer	8-3/4" (222 mm) W x 21-5/8" (549 mm) D x 19-3/8 - 23-3/8" (494- 594 mm) H	B12	Maple	\$1,101	\$1,181
448-BDDSC-11C	Base Organizer	11-3/4" (298 mm) W x 21-5/8" (549 mm) D x 19-3/8 - 23-3/8" (494- 594 mm) H	B15	Maple	\$1,312	\$1,392



Food Storage Container Organizer

- Design for 18" and 24" base cabinets
- Natural maple dovetail construction with semi-gloss finish
- Adjustable clip-on lid dividers (5 w/18") (8 w/24")
- (7) customizable chrome "U" pegs
- Full-extension with over-travel, MOVENTO slides
- Mount to cabinet floor
- TSCA Title VI compliant

Featuring



Food Storage Container Organizer w/ MOVENTO Soft-Close - Works with Country, Luxor, Concord, Classic

PRODUCT	DESCRIPTION	DIMS	MCO	CAB	FINISH	LIST PRICE	W/ INSTALL
4FSCO-18SC-1	Food Storage Container Organizer	14-1/2" (368 mm) W x 22-1/4" (565 mm) D x 18-7/8" (479 mm) H	14-1/2" (368 mm)	B18	Maple	\$1,567	\$1,656
4FSCO-24SC-1	Food Storage Container Organizer	20-1/2" (521 mm) W x 22-1/4" (565 mm) D x 18-7/8" (479 mm) H	20-1/2" (521mm)	B24	Maple	\$1,751	\$1,831



Base Cabinet Pullout w/ Utensil Bins

- Designed for 9" and 12" full height base cabinets
- Natural maple construction with semi-gloss finish
- Full-extension slides with BLUMOTION soft-close
- (3) 1.25 qt or (3) 2 qt. stainless steel bins
- Adjustable shelves and rear wall for added stability
- Adjustable rub bushings that prevent side to side movement
- Patented door mount brackets (US Patent No. 8,388,076)
- TSCA Title VI compliant

Featuring
blum

Base Cabinet Pullout w/ (3) Utensil Bins and BLUMOTION Soft-Close - Works with Country, Luxor, Concord

PRODUCT	DESCRIPTION	DIMS	MCO	CAB	FINISH	LIST PRICE	W/ INSTALL
448UT-BCSC-5C	Base Organizer	6" (152 mm) W x 21-5/8" (549 mm) D x 25-1/2 - 29-1/2" (648- 749 mm) H	6" (155 mm)	B9-FH	Maple	\$1,287	\$1,367
448UT-BCSC-8C	Base Organizer	8-3/4" (222 mm) W x 21-5/8" (549 mm) D x 25-1/2 - 29-1/2" (648- 749 mm) H	9" (229 mm)	B12-FH	Maple	\$1,540	\$1,620

Maple Knife Block and Utensil Base Organizers

- Designed for 12" and 15" full height face frame base cabinets.
- Natural maple construction with a semi-gloss finish
- Full-extension slides with BLUMOTION soft-close
- Patented mounting straps (US Patent No. 9,756,941)
- (1) 2 qt. or (1) 2 qt. and (3) 1.25 qt. removable stainless steel bins
- Knife block features flex rod technology that adjust to securely hold knives
- (4) flexible plastic cutting mats
- Adjustable rear wall
- Adjustable accessory shelf and lower static shelf with chrome rails
- Patented door mount brackets provide 5" of adjustability and include micro-trim adjuster (US Patent No. 8,388,076)
- TSCA Title VI compliant

Featuring
blum

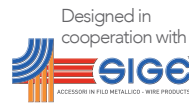


Base Cabinet Pullout w/ Knife Block and Utensil Bins w/ BLUMOTION Soft-Close - Works with Country, Luxor, Concord

PRODUCT	DESCRIPTION	DIMS	MCO	CAB	FINISH	LIST PRICE	W/ INSTALL
448KB-BCSC-8C	Base Organizer w/(1)Bin	8-3/4" (222 mm) W x 21-5/8" (549 mm) D x 25-1/2 - 29-1/2" (648- 749 mm) H	H9" (229 mm)	B12-FH	Maple	\$2,067	\$2,147
448KB-BCSC-11C	Base Organizer w/(4)Bins	11-3/4" (298 mm) W x 21-5/8" (549 mm) D x 25-1/2 - 29-1/2" (648- 749 mm) H	12" (305 mm)	FHB15	Maple	\$2,549	\$2,629

Contemporary Base Cabinet Pullout

- Designed for 9" and 12" full access base cabinets
- Solid bottom shelves with chrome-plated round wire, gray or natural maple or orion gray flat wire with textured linen finish
- Full-extension, 110 lb. rated slides with BLUMOTION soft-close
- Patented door mount brackets (US Patent No. 8,047,621)
- TSCA Title VI compliant



Full Access Contemporary Base Cabinet Pullout w/ BLUMOTION Soft-Close - Work with Classic

PRODUCT	DESCRIPTION	DIMS	CAB	FINISH	LIST PRICE	W/ INSTALL
5322-BCSC-6-GR	Base Organizer	7-1/4" (184 mm) W x 21-11/16" (551 mm) D x 24-1/4" (616 mm) H	FLFHB9	Gray	\$1,516	\$1,596
5322-BCSC-9-GR	Base Organizer	10-1/4" (260 mm) W x 21-11/16" (551 mm) D x 24-1/4" (616 mm) H	FLFHB12	Gray	\$1,564	\$1,644

Contemporary Base Cabinet Pullout w/ Knife Block & Utensil Bin

- Designed for 9" and 12" full access base cabinets
- Solid bottom shelves with chrome-plated round wire, gray or natural maple or orion gray flat wire and textured linen finish
- Full-extension, 110 lb. rated slides with BLUMOTION soft-close
- (1) 2 qt. or (2) 2 qt. and (2) 1.25 qt. removable stainless steel bins
- Patented door mount brackets (US Patent No. 8,047,621)
- Knife block features flex rod technology that adjust to securely hold knives
- TSCA Title VI compliant



Full Access Contemporary Base Cabinet Pullout w/ BLUMOTION Soft-Close - Works with Classic

PRODUCT	DESCRIPTION	DIMS	CAB	FINISH	LIST PRICE	W/ INSTALL
5322KB-BCSC-6-GR	Base Organizer w/ (1) Bin	7-1/4" (184 mm) W x 21-11/16" (551 mm) D x 24-1/4" (616 mm) H	FLFHB9	Gray	\$2,699	\$2,779
5322KB-BCSC-9-GR	Base Organizer w/ (1) Bin	10-1/4" (260 mm) W x 21-11/16" (551 mm) D x 24-1/4" (616 mm) H	FLFHB12	Gray	\$2,868	\$2,948

Contemporary Base Cabinet Pullout

- Designed for 12" base cabinets
- Solid bottom shelves with chrome-plated round wire, gray flat wire and textured linen finish
- Full-extension, 110 lb. rated slides with BLUMOTION soft-close
- (3) 2 qt. or (3) 1.25 qt. removable stainless steel bins
- Patented door mount brackets (US Patent No. 8,047,621)
- TSCA Title VI compliant

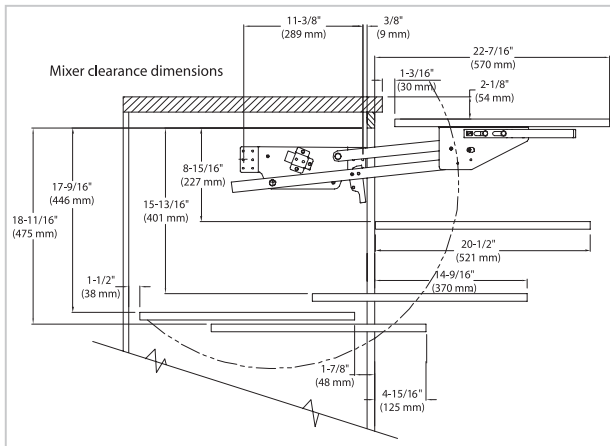


Full Access Contemporary Base Cabinet Pullout w/ (3) Utensil Bins and BLUMOTION Soft-Close - Works with Classic

PRODUCT	DESCRIPTION	DIMS	CAB	FINISH	LIST PRICE	W/ INSTALL
5322UT-BCSC-6-GR	Base Organizer	7-1/4" (184 mm) W x 21-11/16" (551 mm) D x 24-1/4" (616 mm) H	FLFHB9	Gray	\$1,850	\$1,930



Heavy Duty Mixer Lifts



- Designed for full height face frame base cabinets
- Mounts to cabinet side
- Adjustable spring tension
- Built-in shock dampeners
- Holds appliances up to 60 lbs.
- Shelf included
- TSCA Title VI compliant

Heavy Duty Mixer Lift Kit w/ Soft-Close - Works with Country, Luxor, Concord, Classic

PRODUCT	DESCRIPTION	DIMS	MCO	CAB	FINISH	LIST PRICE	W/ INSTALL
ML-MPHDSCCR-18	Mixer Lift Kit	See Illustration	15" (381 mm)	FFFHB18	Silver/ Maple	\$ 1,627	\$1,707



Tall Accessories

Wire Pantry Pullout



Pantry Features:

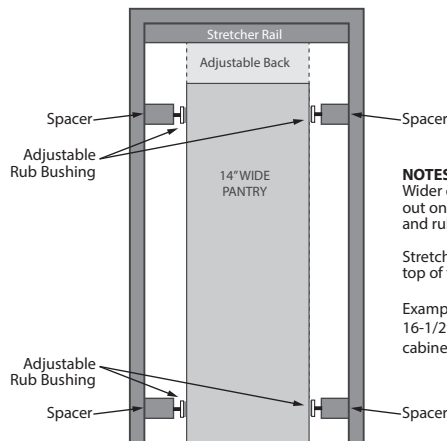
- Shipped ready to assemble
- Patented door mount brackets with micro-adjustments (US Patent No: 8,338,076)
- Natural maple construction with semi-gloss finish
- Rub bushings included for 1-1/2", 1-5/8", 1-3/4" face frames
- TSCA Title VI compliant

Slide Features:

- 450 lb. rated static
250 lb. recommended use with pantry
- Gas assisted soft-close
- Pull force is equal to opening a high-end refrigerator



448-TP SERIES WOOD PANTRY PULLOUT FULL ACCESS "EURO" CABINET APPLICATION



NOTES:
Wider cabinet openings must be blocked out on both sides of the pantry and rub bushings must be used.

Stretcher Rail must be installed at the top of the cabinet opening.

Example:
16-1/2" wide cabinet opening

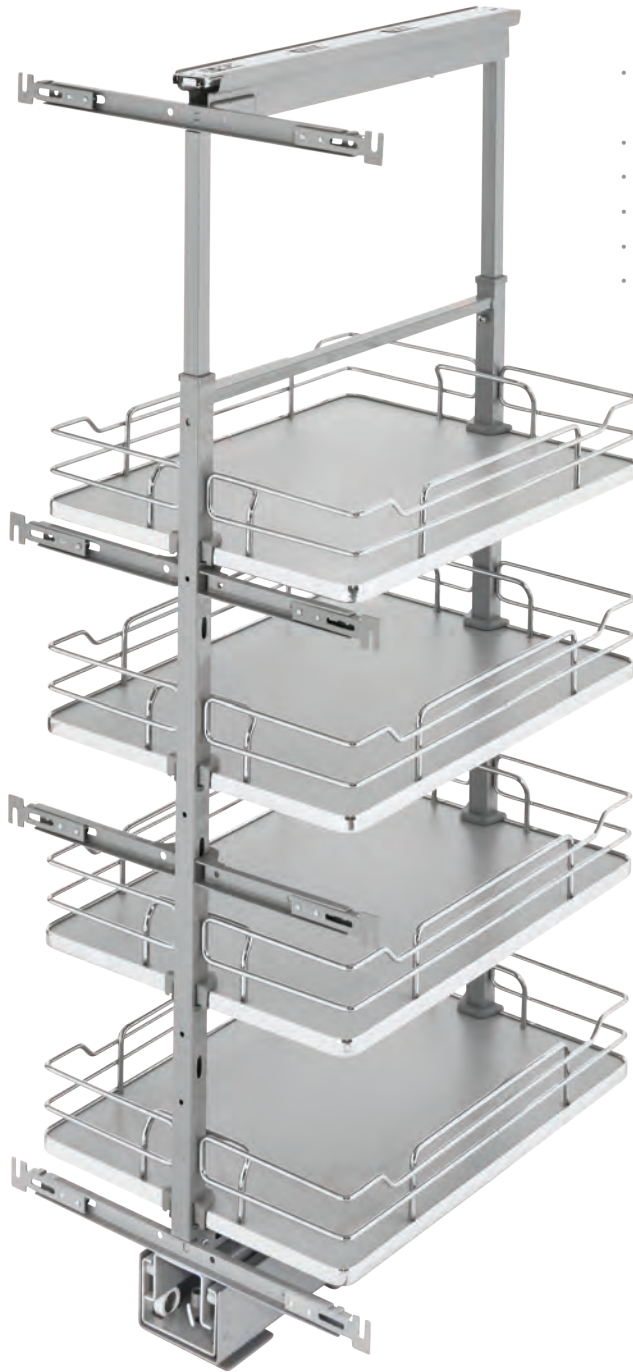
11" Wood Pantry Pullout w/ Soft-Close - Works with Country, Luxor, Concord

PRODUCT	DESCRIPTION	DIMS	MCO	CAB	FINISH	LIST PRICE	W/ INSTALL
448-TP43-11-1	Wood Pantry Pullout	11" (280 mm) W x 22" (559 mm) D x 43-1/4" – 51-13/16" (1099- 1316 mm) H	11-1/2" (292 mm)	T15	Maple	\$3,113	\$3,193

14" Wood Pantry Pullout w/ Soft-Close - Works with Country, Luxor, Concord

PRODUCT	DESCRIPTION	DIMS	MCO	CAB	FINISH	SLP	
448-TP43-14-1	Wood Pantry Pullout	14" (356 mm) W x 22" (559 mm) D x 43-1/4" – 51-13/16" (1099- 1316 mm) H	14-1/2" (368 mm)	T18	Maple	\$3,371	\$3,451

Solid Bottom Pantry Pullout



- Available in (2) widths for full access 24" deep cabinetry
- Gray solid bottom shelves
- Full-extension slides with soft-close, 250 lb. rated
- Micro-adjustment door mounting brackets
- Kit packaged with frame, baskets and hardware
- TSCA Title VI compliant

Solid Bottom Pantry Pullout w/ Soft-Close — (4) Shelves/ (2) Door Mount Brackets - Works with Country, Luxor, Concord

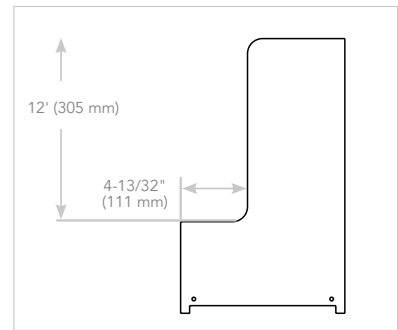
PRODUCT	DESCRIPTION	DIMS	MCO	CAB	LIST PRICE	W/ INSTALL
5343-13-GR	Pantry Pullout	13-1/4" (337 mm) W x 21-11/16" (550 mm) D x 43-13/32" – 50-3/4" (1102 mm - 1289 mm) H	13-1/2" (343 mm)	FLT15	\$4,225	\$4,305
5343-16-GR	Pantry Pullout	16-1/4" (413 mm) W x 21-11/16" (550 mm) D x 43-13/32" – 50-3/4" (1102 mm - 1289 mm) H	16-1/2" (419 mm)	FLT18	\$4,509	\$4,589



Vanity Accessories

L-Shaped Vanity Organizers

- Designed for 24" and 30" vanity sink base cabinets
- Maple dovetail construction with semi-gloss finish
- Full-extension, TANDEM, 90 lb. rated slides with BLUMOTION® soft-close
- Non-skid vinyl lining on lower level
- (6) acrylic bins for upper level
- Mounts to cabinet floor
- TSCA Title VI Compliant



PIPE CLEARANCE DIMENSIONS

(For both units)

Featuring
blum



L-Shaped Vanity Organizer w/ BLUMOTION Soft-Close - Works with Country, Luxor, Concord, Classic

PRODUCT	DESCRIPTION	DIMS	MCO	CAB	FINISH	LIST PRICE	W/ INSTALL
441-12VSBSC-1	Vanity Organizer for 24"	8-3/4" (223 mm) W x 18-3/4" (477 mm) D x 18-7/8" (479 mm) H	10-1/4 (260 mm)	VB24	Maple	\$1,196	\$1,276
441-15VSBSC-1	Vanity Organizer for 30"	11-11/16" (296 mm) W x 18-3/4" (477 mm) D x 18-7/8" (479 mm) H	13-1/4 (337 mm)	VB30	Maple	\$ 1,449	\$1,529

Vanity Appliance Storage Rack

- Designed for 30" vanity base (butt door) cabinets
- Natural maple frame with semi-gloss finish
- Mounts to cabinet door
- Non-skid lining on lower level shelf
- (2) 1.25 qt. stainless steel bins
- Patented adjustable mounting brackets (US Patent No. 7,204,569)
- TSCA Title VI compliant



Vanity Appliance Storage Rack - Works with Country, Luxor, Concord, Classic

PRODUCT	DESCRIPTION	DIMS	MCO	CAB	FINISH	LIST PRICE	W/ INSTALL
4HD-15-1	Storage Rack	10-3/4" (273 mm) W x 6" (152 mm) D x 13-7/8" (352 mm) H	12-3/8" (314 mm)	SB30 Butt	Maple	\$364	\$444



Sink Base Waste Pullout

- Designed for 24" and larger sink base cabinets
- (1) 8 L and (1) 15 L bin, both with handles
- Full-extension, under mount, 75 lb. rated, concealed slides with soft-close
- Mounts to cabinet floor
- (1) green lid and (1) white lid
- Door mounting kit (sold separately)

Wire Under Sink Waste Pullout - Works with Country, Luxor, Concord, Classic

PRODUCT	DESCRIPTION	DIMS	MCO	CAB	FINISH	LIST PRICE	W/ INSTALL
5SBWC-815S-1	(1) 8 L and (1) 15 L	8-15/16" (227 mm) W x 18-5/8" (473 mm) D x 14-1/4" (362 mm) H	9" (227 mm)	VSB24+	Silver	\$524	\$604



Door Mount Vanity Waste Container

- Designed for 30" vanity base cabinets
- Single 8 L polymer container, metallic silver
- Mounts to cabinet door
- Patented pre-assembled adjustable door mount brackets (US Patent No. 7,204,569)
- (1) white lid
- TSCA Title VI compliant

Door Mount Vanity Waste Container - Works with Country, Luxor, Concord, Classic

PRODUCT	DESCRIPTION	DIMS	MCO	CAB	FINISH	LIST PRICE	W/ INSTALL
4SOWC-8-1	Single 8 L	10-3/8" (264 mm) W x 7-3/8" (187 mm) D x 12-5/16" (312 mm) H	15" (381 mm)	VSB30	Silver	\$281	\$361

Bottom Mount Waste Container

- Designed for 15" vanity sink base cabinets
- Single 8 L polymer container, metallic silver or single 35 qt.
- Natural maple dovetail frame with semi-gloss finish
- Full-extension, 110 lb. rated, concealed slides with BLUMOTION soft-close
- Rear storage
- Mounts to cabinet floor
- (1) white lid with 8 L
- TSCA Title VI compliant



Featuring
blum

Bottom Mount Vanity Waste Container w/ BLUMOTION Soft-Close - Works with Country, Luxor, Concord, Classic

PRODUCT	DESCRIPTION	DIMS	MCO	CAB	FINISH	LIST PRICE	W/ INSTALL
4WCSC-128-19-1	Single 8 L	8-5/8" (219 mm) W x 18-9/16" (471 mm) D x 13-15/16 (354 mm) H	9" (229 mm)	VSB24+	Metallic Silver/Maple	\$915	\$995

Bottom Mount Rev-A-Motion® Hamper

- Designed for 18" full height vanity and base height vanity cabinets
- Single 1.5 BU polymer hamper, white
- Natural maple frame with semi-gloss finish
- Full-extension with 1-1/2" over-travel, ball-bearing, 150 lb. rated, concealed slides with Rev-A-Motion® soft-open/soft-close (US Patent No. 8,091,971)
- Mounts to cabinet door and floor
- Pre-assembled door mount brackets
- (1) matching lid
- TSCA Title VI Compliant



Bottom Mount Hamper Pullout w/ Rev-A-Motion® - Works with Country, Luxor, Concord, Classic

PRODUCT	DESCRIPTION	DIMS	MCO	CAB	FINISH	LIST PRICE	W/ INSTALL
4WH-RM-15DM-1	1.5 BU Hamper	14-1/4" (362 mm) W x 19-3/4" (502 mm) D x 21" (534 mm) H (with lid)	15" (381 mm)	FHVB18	White/Maple	\$1,487	\$1,567

Polymer Bottom Mount Hamper

- Designed for face frame 18" vanity height and base height vanity cabinets
- Single 1.5 BU polymer hamper, white
- 4-screw installation
- Powder-coated white wire frame
- Full-extension, ball-bearing, 100 lb. rated slides
- Mounts to cabinet floor
- Door mount kit available (sold separately)



Polymer Bottom Mount Hamper Pullout - Works with Country, Luxor, Concord, Classic

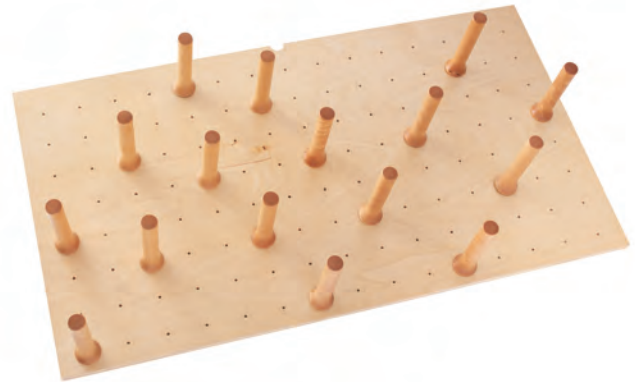
PRODUCT	DESCRIPTION	DIMS	MCO	CAB	FINISH	LIST PRICE	W/ INSTALL
HPRV-1520 S	1.5 BU Hamper	14-1/4" (362 mm) W x 20" (508 mm) D x 19-3/8" (492 mm) H	15" (381 mm)	VB18	White	\$ 486	\$566



Drawer Accessories

Drawer Peg Systems

- Designed for 42" or smaller base cabinet drawers
- Trim-to-fit existing drawer
- Drop-in installation
- Maple construction with semi-gloss finish
- (120) pre-drilled peg holes
- (9), (12) or (16) matching, press-in pegs
- TSCA Title VI compliant



Drawer Peg System - Works with Country, Luxor, Concord, Classic

PRODUCT	DESCRIPTION	DIMS	FINISH	LIST PRICE	W/ INSTALL
4DPS-2421	Peg System w/ (9) Pegs	24-1/4" (616 mm) W x 21-1/4" (540 mm) D x 6-5/8" (168 mm) H	Maple	\$408	\$488
4DPS-3021	Peg System w/ (12) Pegs	30-1/4" (769 mm) W x 21-1/4" (540 mm) D x 6-5/8" (168 mm) H	Maple	\$491	\$571
4DPS-3921	Peg System w/ (16) Pegs	39-1/4" (997 mm) W x 21-1/4" (540 mm) D x 6-5/8" (168 mm) H	Maple	\$626	\$706

Wood Cutlery Tray Insert

- Designed for 24" or smaller base cabinet drawers
- Trim-to-fit existing drawer
- Drop-in installation
- Maple construction with semi-gloss finish
- Up to (9) compartments
- TSCA Title VI compliant



Shown here with 4WD (sold separately)

Wood Cutlery Tray Insert - Works with Country, Luxor, Concord, Classic

PRODUCT	DESCRIPTION	DIMS	FINISH	LIST PRICE	W/ INSTALL
4WCT-1	Cutlery Tray	14-5/8" (371 mm) W x 22" (559 mm) D x 2-7/8" (73 mm) H	Maple	\$281	\$361
4WCT-3	Cutlery Tray	20-5/8" (524 mm) W x 22" (559 mm) D x 2-7/8" (73 mm) H	Maple	\$374	\$454

Tiered Cutlery Drawer

- Designed for 18", 21", and 24" base cabinet drawers
- Complete drawer system, just add your drawer front
- Easy installation
- Natural maple construction with semi-gloss finish
- Full-extension, TANDEM, 110 lb. rated, concealed slides with BLUMOTION® soft-close
- Drawer features up to (7) compartments
- Sliding top tray features up to (7) compartments
- Mounts to cabinet drawer front, rear and side walls
- Figure 8 door mount brackets
- TSCA Title VI compliant



JUST ADD YOUR OWN DRAWER FRONT!



4WTCD18SC1
Face Frame Tiered Cutlery Drawer
(18" version shown)



4WTCD21SC1
Face Frame Tiered Cutlery Drawer
(21" version shown)



4WTCD24SC1
Face Frame Tiered Cutlery Drawer
(24" version shown)

Face Frame Tiered Cutlery Drawer, w/ BLUMOTION Soft-Close - Works with Country, Luxor, Concord

PRODUCT	DESCRIPTION	DIMS	MCO	CAB	FINISH	LIST PRICE	W/ INSTALL
4WTCD-18SC-1	Tiered Cutlery Drawer	15" (381 mm) W x 21-1/2" (546 mm) D x 4-5/16" (110 mm) H	15" (381 mm)	FFB18	Maple	\$941	\$1,021
4WTCD-21SC-1	Tiered Cutlery Drawer	18" (457 mm) W x 21-1/2" (546 mm) D x 4-5/16" (110 mm) H	18" (457 mm)	FFB21	Maple	\$947	\$1,027
4WTCD-24SC-1	Tiered Cutlery Drawer	21" (533 mm) W x 21-1/2" (546 mm) D x 4-5/16" (110 mm) H	21" (533 mm)	FFB24	Maple	\$1,016	\$1,096

Charging Drawer

- Designed for 18" base cabinet drawers
- Drawer front not included
- Natural maple construction with semi-gloss finish
- Full-extension, TANDEM, 110 lb. rated, concealed slides with BLUMOTION® soft-close
- (2) 120V plugs and (2) 2.1 amp USB ports
- Tamper resistant outlets
- Max Current: AC: 12 amps @ 120VAC; USB 2.1 amp & 5 VDC
- UL recognized to UL962/CSA-C22.2 No. 0-10
- Power cord with NEMA 5 – 15 plug
- Integrated cord guide to ensure safe operation
- Door mount brackets
- Shock absorbent mat, black
- Overall safety of this product is determined by its end use
- TSCA Title VI compliant



Integrated cord guide to ensure safe operation mounts to cabinet side and rear wall

Face Frame Charging Drawer w/ BLUMOTION Soft-Close - Works with Country, Luxor, Concord

PRODUCT	DESCRIPTION	DIMS	MCO	CAB	FINISH	LIST PRICE	W/ INSTALL
4WCDB-18SC-1	Charging Drawer	15" (381 mm) W x 22-3/4" (578 mm) D x 4-1/2" (114 mm) H	15" (381 mm)	FFB18	Maple	\$1,790	\$1,870

Full Access Charging Drawer w/ BLUMOTION Soft-Close - Works with Classic

4WCDB-18FLSC-1	Charging Drawer	16-1/2" (419 mm) W x 22-3/4" (578 mm) D x 4-1/2" (114 mm) H	16-1/2" (419 mm)	FLB18	Maple	\$1,778	\$1,858
----------------	-----------------	---	------------------	-------	-------	---------	---------

Wood Spice Drawer Inserts

- Designed for 24" or smaller base cabinet drawers
- Trim-to-fit existing drawer
- Drop-in installation
- Maple construction with semi-gloss finish
- (1) rear compartment and up to (3) tiers
- Compatible with 4WD Wood Divider when using multiple inserts (sold separately)
- TSCA Title VI compliant



Wood Spice Drawer Insert - Works with Country, Luxor, Concord, Classic

PRODUCT	DESCRIPTION	DIMS	FINISH	LIST PRICE	W/ INSTALL
4SDI-18	Spice Drawer Insert	16" (406 mm) W x 19-3/4" (502 mm) D x 1-1/2" (38 mm) H	Maple	\$298	\$378
4SDI-24	Spice Drawer Insert	22" (559 mm) W x 19-3/4" (502 mm) D x 1-1/2" (38 mm) H	Maple	\$403	\$483
4SDI-36-1	Spice Drawer Insert	33-1/8" (841 mm) W x 19-3/4" (502 mm) D x 1-3/4" (44 mm) H	Maple	\$591	\$671

Wood Knife Block Inserts

- Designed for 18-1/2" or smaller base cabinet drawers
- Trim-to-fit existing drawer
- Drop-in installation
- Natural maple construction with semi-gloss finish
- (1) compartment and up to (19) knife slots
- Compatible with 4WD Wood Divider when using multiple inserts (sold separately)
- TSCA Title VI compliant



Wood Knife Block Insert - Works with Country, Luxor, Concord, Classic

PRODUCT	DESCRIPTION	DIMS	FINISH	LIST PRICE	W/ INSTALL
4WKB-1	Knife Block Insert	18-1/2" (470 mm) W x 22" (559 mm) D x 2-3/8" (60 mm) H	Maple	\$421	\$501

Wood Utensil Tray Insert

- Designed for 36" or smaller base cabinet drawers
- Trim-to-fit existing drawer
- Drop-in installation
- Natural maple construction with semi-gloss finish
- Up to (2) adjustable compartments
- Up to (12) static compartments (KB and CT)
- Shallow height sizes available (4WUT-1 & 4WUT-3)
- Compatible with 4FWI Foil Wrap Insert and 4WD Wood Divider when using multiple inserts (sold separately)
- TSCA Title VI compliant



Wood Utensil Tray Insert - Works with Country, Luxor, Concord, Classic

PRODUCT	DESCRIPTION	DIMS	FINISH	LIST PRICE	W/ INSTALL
4WUT-1	Utility Tray	18-1/2" (470 mm) W x 22" (559 mm) D x 2-7/8" (73 mm) H	Maple	\$295	\$375
4WUT-3	Utility Tray	24" (610 mm) W x 22" (559 mm) D x 2-7/8" (73 mm) H	Maple	\$376	\$456

Wide Drawer Inserts - Works with Country, Luxor, Concord, Classic

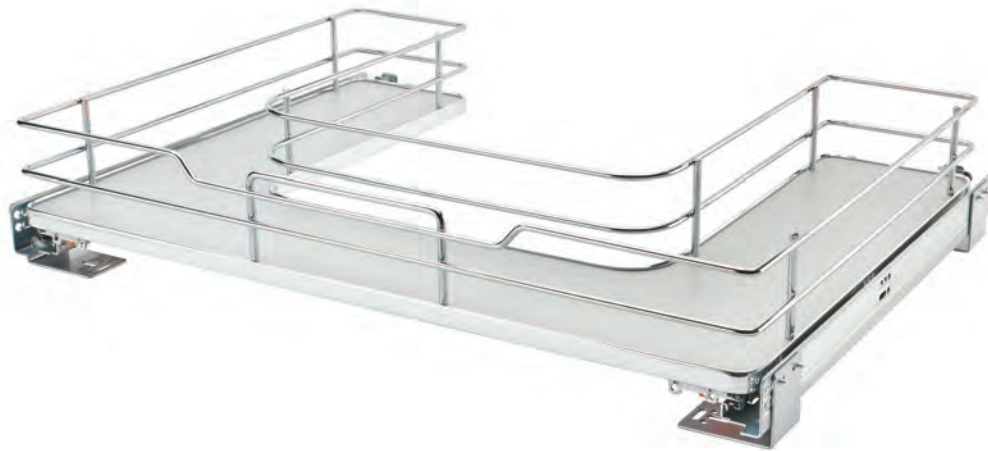
4WUT-36-1	Utensil Drawer Insert	33-1/8" (841 mm) W x 22" (589 mm) D x 2-7/8" (73 mm) H	Maple	\$651	\$731
4WUTKB-36-1	Knife Block/Utensil Drawer Insert	33-1/8" (841 mm) W x 22" (589 mm) D x 2-7/8" (73 mm) H	Maple	\$845	\$925
4WUTCT-36-1	Utensil/Cutlery Drawer Insert	33-1/8" (841 mm) W x 22" (589 mm) D x 2-7/8" (73 mm) H	Maple	\$670	\$750



Sink Accessories

U-Shaped Solid Bottom Shelves

- Designed for 33" and 36" sink base cabinets
- U-shaped solid bottom shelves, gray
- Full-extension, TANDEM, 110 lb. rated slides with BLUMOTION soft-close
- Mounts to cabinet floor or side walls
- Pre-assembled door mount brackets
- Side and bottom mount brackets
- Fits around plumbing
- TSCA Title VI compliant



U-Shaped Solid Bottom Shelf w/ BLUMOTION Soft-Close - Works with Country, Luxor, Concord, Classic

PRODUCT	DESCRIPTION	DIMS	MCO	CAB	FINISH	LIST PRICE	W/ INSTALL
5386-30BCSC-GR	Solid Bottom Shelf	29-11/16" (754 mm) - 32" (813 mm) W x 21-17/32" (547 mm) D x 5-1/16" (129 mm) H	29-11/16" (754 mm)	SB33	Chrome	\$1,708	\$1,788
5386-33BCSC-GR	Solid Bottom Shelf	32-11/16" (830 mm) - 35" (889 mm) W x 21-17/32" (547 mm) D x 5-1/16" (129 mm) H	32-11/16" (830 mm)	SB36	Chrome	\$1,795	\$1,875

Towel Holder Pullout

- Designed for base or sink base cabinets
- Wire construction, chrome-plated
- 3/4 ball-bearing, 25 lb. rated slides
- Universal mounting, non-handed
- Mounts to cabinet side walls (Installation not offered on this item)
- Holds up to (2) dish towels



Pullout Towel Holder - Works with Country, Luxor, Concord, Classic

PRODUCT	DESCRIPTION	DIMS	FINISH	LIST PRICE	W/ INSTALL
563-51-C	2 Prong Towel Holder	3-7/8" (99 mm) W x 12-7/8" (327 mm) D x 1-1/2" (38 mm) H	Chrome	\$ 110	\$190

Drip Tray

- Designed for installation in new 30", 36" and 42" sink base cabinet construction
- Can be cut down to fit a 27", 33" or 39" cabinets
- Protects the bottom of your cabinet from spills
- Funnels excessive water out of the front of your cabinet



Drip Tray - Works with Country, Luxor, Concord, Classic

PRODUCT	DESCRIPTION	DIMS	MIN TRIM	CAB	FINISH	LIST PRICE	W/ INSTALL
SBDT-2730-S-1	Drip Tray	28-1/2" (724 mm) W x 23-1/4" (591 mm) D x 3/4" (19 mm) H	25-1/2" (648 mm) x 21-1/2" (546 mm)	SB27-30	Metallic Silver	\$ 187	
SBDT-3336-S-1	Drip Tray	34-1/2" (876 mm) W x 23-1/4" (591 mm) D x 3/4" (19 mm) H	31-1/2" (800 mm) x 21-1/2" (546 mm)	SB33-36	Metallic Silver	\$208	
SBDT-3942-S-1	Drip Tray	40-1/2" (1029 mm) W x 23-1/4" (591 mm) D x 3/4" (19 mm) H	37-1/2" (953 mm) x 21-1/2" (546 mm)	SB39-42	Metallic Silver	\$229	

Sink Base Waste Pullout

- Designed for 24" and larger sink base cabinets
- (1) 8 L and (1) 15 L bin, both with handles
- Full-extension, under mount, 75 lb. rated, concealed slides with soft-close
- Mounts to cabinet floor
- (1) green lid and (1) white lid
- Door mount kit available (sold separately)



Wire Under Sink Waste Pullout - Works with Country, Luxor, Concord, Classic

PRODUCT	DESCRIPTION	DIMS	MCO	CAB	FINISH	LIST PRICE	W/ INSTALL
5SBWC-8155-1	(1) 8 L and (1) 15 L	8-15/16" (227 mm) W x 18-5/8" (473 mm) D x 14-1/4" (362 mm) H	9" (229 mm)	SB24	Silver	\$524	\$604

Cleaning Caddy Pullout

- Designed for 30" sink base cabinets
- Single polyethylene container with handle
- Full-extension, under mount, 75 lb. rated, concealed slides with soft-close
- Mounts to cabinet floor
- (2) 1 L spray bottles with removable storage rack
- Door mount kit available (sold separately)



Sink Base 2-in-1 Polyethylene Cleaning Pullout w/ (2) Spray Bottles and Soft-Close - Works with Country, Luxor, Concord, Classic

PRODUCT	DESCRIPTION	DIMS	MCO	CAB	FINISH	LIST PRICE	W/ INSTALL
5CC-9155-11-1	Cleaning Caddy Pullout	9-1/4" (235 mm) W x 18-5/8" (472 mm) D x 18-1/2" (471 mm) H	12" (305 mm)	SB30	White	\$ 508	\$588

Deluxe Sink Front Tip-Out Tray

- 22" trays, white
- Bulk trays available
- Mounts to sink front panels



Deluxe Tip-Out Tray System (Std./Acc.) - Works with Country, Luxor, Concord, Classic

PRODUCT	DESCRIPTION		FINISH	LIST PRICE	W/ INSTALL
LD-6591-22-11-1	Deluxe Tip-Out Tray w/ 45° Hinges	22" (559 mm) W x 2-1/8" (54 mm) D x 3-13/16" (97 mm) H	Polymer	\$65	\$145

Sink Front Tip-Out Trays

- 11" or 14" tray sets
- Glossy polymer construction
- Each set: (1) standard tray, (1) accessory tray with ring holder and soap dish
- Mounts to sink front panels
- (2) pair of Self-Holdin® hinges



Sink Front Tip-Out Tray System (Std./Acc.) - Works with Country, Luxor, Concord, Classic

PRODUCT	DESCRIPTION		FINISH	LIST PRICE	W/ INSTALL
LD-6572-11-11-1	Std/Acc Trays with Hinges	11" (280 mm) W x 2-1/8" (54 mm) D x 3-13/16" (97 mm) H	Polymer	\$83	\$163
LD-6572-14-11-1	Std/Acc Trays with Hinges	14" (356 mm) W x 2-1/8" (54 mm) D x 3-13/16" (97 mm) H	Polymer	\$87	\$167

Sink Base Door Storage

- Designed for 30", 36" and 42" sink base cabinet doors
- Natural maple construction with semi-gloss finish
- Patented adjustable door mount brackets that provides up to 5" adjustability (US Patent No. 7,204,569)
- TSCA Title VI compliant



Sink Base Door Storage - Works with Country, Luxor, Concord, Classic

PRODUCT	DESCRIPTION	DIMS	MCO	CAB	FINISH	LIST PRICE	W/ INSTALL
4SBSU-15	Door Storage	10-1/2" (267 mm) W x 5" (127 mm) D x 18-1/2" (470 mm) H	12" (305 mm)	SB30	Maple	\$298	\$378
4SBSU-18	Door Storage	13-1/2" (343 mm) W x 5" (127 mm) D x 18-1/2" (470 mm) H	15" (381 mm)	SB36	Maple	\$316	\$396
4SBSU-21	Door Storage	16-1/2" (419 mm) W x 5" (127 mm) D x 18-1/2" (470 mm) H	18" (457 mm)	SB42	Maple	\$355	\$435



Wall Accessories

Door Mount Spice Rack

- Designed for 15", 18" and 21" wall cabinets
- Natural maple construction with semi-gloss finish
- 4-screw installation
- (3) shelves with chrome wire accents
- Holds items up to 2-1/4" D
- Mounts to cabinet door
- Patented adjustable door mount brackets (US Patent No. 7,204,569)
- TSCA Title VI compliant



Door Mount Spice Rack - Works with Country, Luxor, Concord, Classic

PRODUCT	DESCRIPTION	DIMS	MCO	CAB	FINISH	LIST PRICE	W/ INSTALL
4SR-15	Spice Rack	10-1/2" (267 mm) W x 3-1/8" (79 mm) D x 21-1/4" (540 mm) H	12" (305 mm)	W15	Maple	\$254	\$334
4SR-18	Spice Rack	13-1/2" (343 mm) W x 3-1/8" (79 mm) D x 21-1/4" (540 mm) H	15" (381 mm)	W18	Maple	\$287	\$367
4SR-21	Spice Rack	16-1/2" (419 mm) W x 3-1/8" (79 mm) D x 21-1/4" (540 mm) H	18" (457 mm)	W21	Maple	\$320	\$400

Tiered Wall Filler

- Available for 6" wall cabinet applications
- Create a functional storage space behind those decorative panels
- Features adjustable shelves with chrome rails
- Full-extension, ball-bearing, 100 lb. rated soft-close slides
- Non soft-close available
- Tri-slide design provides stability
- TSCA Title VI compliant



Tiered Wall Filler Pullout Organizer w/ Ball-Bearing Soft-Close - Works with Country, Luxor, Concord, Classic

PRODUCT	DESCRIPTION	DIMS	FINISH	LIST PRICE	W/ INSTALL
432-WFBBC30-6C	Tiered Filler for 6" Width	6" (152 mm) W x 11-1/8" (283 mm) D x 30" (762 mm) H	Maple	\$723	\$803
432-WFBBC36-6C	Tiered Filler for 6" Width	6" (152 mm) W x 11-1/8" (283 mm) D x 36" (914 mm) H	Maple	\$942	\$1,022
432-WFBBC42-6C	Tiered Filler for 6" Width	6" (152 mm) W x 11-1/8" (283 mm) D x 42" (1067 mm) H	Maple	\$1,012	\$1,092



Lazy Susans

Banded Wood

- 2" Banded wood rim
- Doweled (2) butt joint
- 5/8" Thick maple shelf bottom
- Independently rotating
- Almond hardware
- Steel bearings
- TSCA Title VI compliant



FULL CIRCLE SHELF

Banded Wood Lazy Daisy w/ Steel Bearing - Works with Country, Luxor, Concord

PRODUCT	DESCRIPTION	DIMS	CAB	FINISH	LIST PRICE	W/ INSTALL
LD-4BW-001-18SB-1	Single Shelf w/ 7" Steel Bearing	18" (458 mm) Diameter	CW24	Maple	\$364	\$444
LD-4BW-001-20SB-1	Single Shelf w/ 7" Steel Bearing	20" (508 mm) Diameter	CW27	Maple	\$373	\$453

(2) Shelf Banded Wood Lazy Daisy w/ 26"-31" (660-788 mm) Telescoping Post - Works with Country, Luxor, Concord

LD-4BW-062-18-1	(2) Shelf Set	18" (458 mm) Diameter	CW24	Maple	\$696	\$776
LD-4BW-062-20-1	(2) Shelf Set	20" (508 mm) Diameter	CW27	Maple	\$703	\$783

(3) Shelf Banded Wood Lazy Daisy w/ 38"-46" (965-1169 mm) Telescoping Post - Works with Country, Luxor, Concord

LD-4BW-063-1836-1	(3) Shelf Set	18" (458 mm) Diameter	CW24	Maple	\$ 1,012	\$1,092
LD-4BW-063-2036-1	(3) Shelf Set	20" (508 mm) Diameter	CW27	Maple	\$ 1,020	\$1,100

Polymer Value Line

- Twist-n-Lock telescoping post
- Molded polymer hubs
- Independently rotating
- Almond and white
- Polystyrene material



(2) Shelf Value Line Lazy Susan w/ 26"-31" (660-788 mm) Telescoping Post - Works with Classic

PRODUCT	DESCRIPTION	DIMS	FINISH	LIST PRICE	W/ INSTALL
3072-18-11-52	(2) Shelf Set	18" (457 mm) Diameter	Polymer	\$236	\$316

(3) Shelf Value Line Lazy Susan w/ 31"-38" & 38"-46" (965-1169 mm) Telescoping Post - Works with Classic

3073-18-11-531	(3) Shelf Set	18" (457 mm) Diameter	Polymer	\$367	\$447
3073-18-11-536	(3) Shelf Set	18" (457 mm) Diameter	Polymer	\$376	\$456



REV-A-SHELF



Headquarters

101 Kentile Road
South Plainfield, NJ 07080

T: 718-416-3853

F: 718-416-4077

**America's
Best Value
In Cabinetry®**

www.cnccabinetry.com

