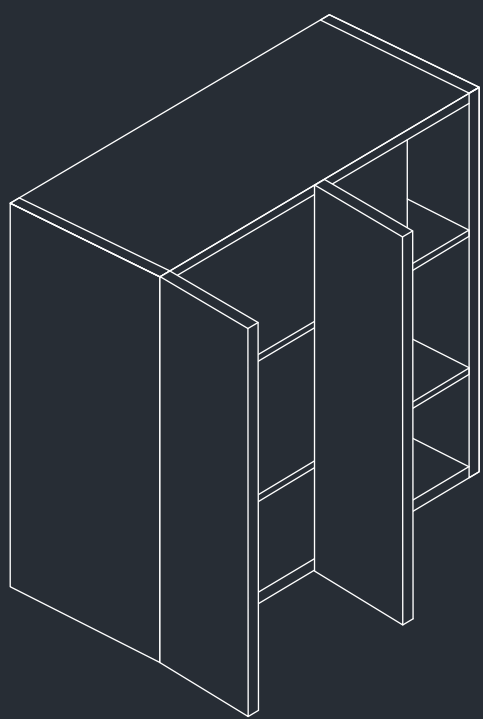




March
2025



Product Spec Book

America's Best Value In Cabinetry®

Dear CNC Value Partner,

CNC was founded on the idea of making kitchen cabinets more accessible to all, by offering the ultimate value design, quality and price.

For over three decades now, we at CNC have been providing kitchen and bath dealers and the customers they serve throughout the United States with the ultimate value in kitchen cabinets countertops, and bathroom vanities. Rather than tossing about meaningless boardroom phrases, we set out to define just what exactly value means.

For us, value means ordering high-quality products at affordable prices. Value means being able to offer a vast, ever-expanding selection of progressively designed door styles. Value means providing lightning-quick turnaround times. Value means giving someone the ability to talk to a real person who understands your needs.

Our motto, "America's Best Value in Cabinetry", reflects our commitment to you, our customer. We provide this value nationally through our many locations across the country. This strategy not only ensures efficiency in delivery but also emphasizes our nationwide accessibility.

This is the core of CNC - a company built on providing our customers with the ultimate value in design, quality, and service. Our cabinets create a comfortable and personalized living space, transforming the house into a home. Please peruse the accompanying material to get to know us, and how we can service you.

Thank you for choosing CNC Cabinetry.



Nathan Indig

CEO, CNC Cabinetry

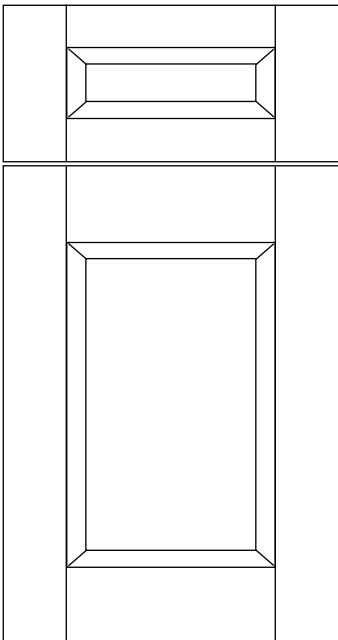
New Additions

Price Codes:

*Please note following updated price codes

Luxor	Country	Concord	Classic	Alvic	Vanguard
L/Z	R	A/B/C/D/M/N/O/P	E/F/G/H/I	J/K	V

New Door Styles



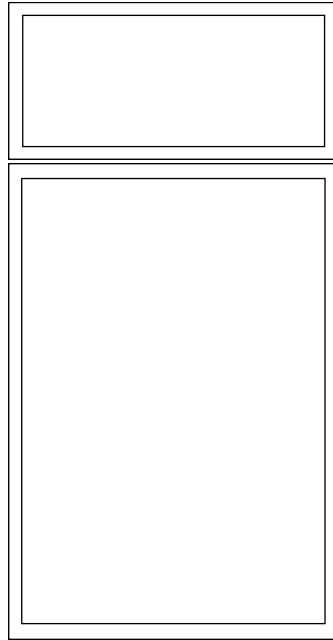
Sydney

Concord Collection

Door Style: French Miter

Overlay: Full Overlay

Price Code: C,O,P



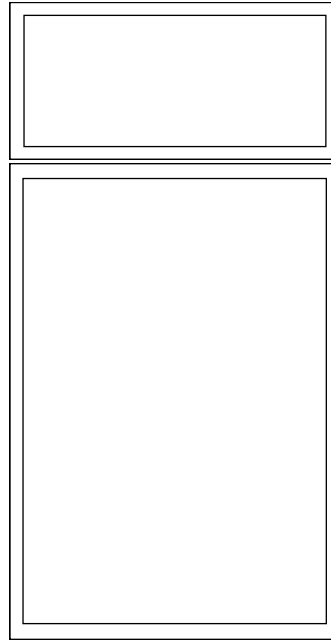
Newport

Concord Collection

Door Style: Slim Shaker

Overlay: Frameless

Price Code: A,D,M



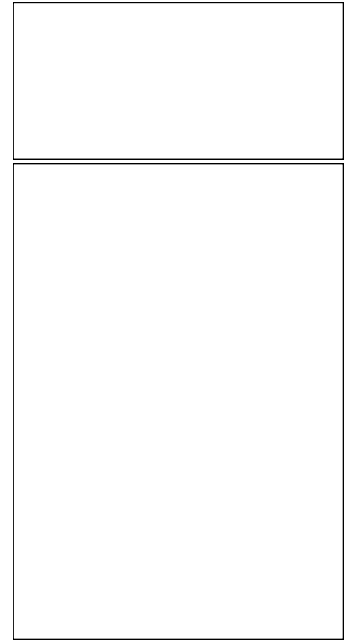
Highland

Classic Collection

Door Style: Reverse Slim Shaker

Overlay: Frameless

Price Code: G,H



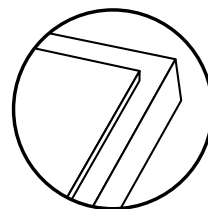
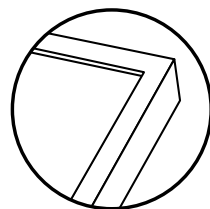
Broadway

Classic Collection

Door Style: Flat Panel

Overlay: Full Overlay

Price Code: E



New Finishes:

Plus Program

Color Name	Finish	Collection(s)
101 - Sleek White*	Paint (Behr: QR-W15)	Concord, Classic
102 - Linen*	Paint (PPG1085-2)	Concord, Classic
103 - Sahara*	Paint (PPG1085-4)	Concord, Classic
104 - Mountain Stream*	Paint (PPG1149-4)	Concord, Classic
105 - Adirondack Blue*	Paint (Behr: N-480)	Concord, Classic
106 - Sage*	Paint (PPG1033-5)	Concord, Classic
107 - Evergreen*	Paint (PPG1124-6)	Concord, Classic
108 - Rumors*	Paint (Behr: MQ1-15)	Concord, Classic
109 - Cracked Pepper*	Paint (PPU18-01)	Concord, Classic
110 - Jet Black*	Paint (BLACK)	Concord, Classic
200 - Ale	Stain	Concord (Sydney, Newport), Classic (Versailles)
201 - Bourbon	Stain	Concord (Sydney, Newport), Classic (Versailles)

*Finishes not available in the Park Ave, Milano or Broadway doors

Classic Collection

Color Name	Finish	Collection(s)
600 - Cotton	Matte	Classic (Broadway)
601 - Silk	Matte	Classic (Broadway)
602 - Nimbus	Matte	Classic (Broadway)
603 - Cobalt	Matte	Classic (Broadway)
604 - Graphite	Matte	Classic (Broadway)
650 - Almond	Textured	Classic (Broadway)
651 - Chestnut	Textured	Classic (Broadway)
652 - Walnut	Textured	Classic (Broadway)
653 - Coastal	Textured	Classic (Broadway)
654 - Driftwood	Textured	Classic (Broadway)
655 - Beach	Textured	Classic (Broadway)
656 - Silver Birch	Textured	Classic (Broadway)
400 - Polar White (previously M40)	Matte	Classic (Milano)
401 - Fossil Grey (previously M41)	Matte	Classic (Milano)
402 - Sand (previously M42)	Matte	Classic (Milano)
403 - Seaside (previously M43)	Matte	Classic (Milano)
404 - Pine	Matte	Classic (Milano)
405 - Snow	Matte	Classic (Milano)
406 - Sunset	Matte	Classic (Milano)
407 - Obsidian	Matte	Classic (Milano)
450 - Mirage	Reeded	Classic (Milano)
451 - Dune	Textured	Classic (Milano)
452 - Autumn	Textured	Classic (Milano)
453 - Ash	Textured	Classic (Milano)

New Items

Item	SKU	Page:	Collection(s)
Microwave Base Cabinet	MCB24	52, 134	Luxor, Concord
Microwave Base Cabinet	MCB27	52, 134	Luxor, Concord
Microwave Base Cabinet Trim Kit	MCB24-TRM	52, 134	Luxor, Concord
Microwave Base Cabinet Trim Kit	MCB27-TRM	52, 134	Luxor, Concord
Blind Wall Cabinet	BLW30/3330	40, 114, 176	Luxor, Concord, Classic
Blind Wall Cabinet	BLW30/3336	41, 115, 178	Luxor, Concord, Classic
Blind Wall Cabinet	BLW30/3342	43, 117, 178	Luxor, Concord, Classic
Blind Wall Cabinet	BLW42/4530	40, 114, 176	Luxor, Concord, Classic
Blind Wall Cabinet	BLW42/4536	41, 115, 178	Luxor, Concord, Classic
Blind Wall Cabinet	BLW42/4542	43, 117, 178	Luxor, Concord, Classic
Vanity Base Cabinet	VB12	144, 207	Concord, Classic
Vanity Base Cabinet	VB15	144, 207	Concord, Classic
Vanity Base Cabinet	VB18	144, 207	Concord, Classic
Aluminum Framed Glass Door	ACG-1530	182	Classic
Aluminum Framed Glass Door	ACG-1536	182	Classic
Aluminum Framed Glass Door	ACG-1542	182	Classic
Aluminum Framed Glass Door	ACG-1830	182	Classic
Aluminum Framed Glass Door	ACG-1836	182	Classic
Aluminum Framed Glass Door	ACG-1842	182	Classic
Removable Sink Insert	SB30-HR-INS	55	Luxor
Royal Crown Molding Round	RCRM	70, 149, 215	Luxor, Concord, Classic
2 Drawer Base Cabinet	DB33-2	189	Classic
Vanity Drawer Base	VDB21	145, 209	Concord, Classic
Vanity Drawer Base	VDB24	145, 209	Concord, Classic
Aerosol Container	CHW-UNI-AERSOL-SPRAY	73, 156, 218	Luxor, Concord, Classic
Maple Cabinet Box	CLM	165	Classic
Wall Cabinet	3912	36, 110, 172	Luxor, Concord, Classic
Wall Cabinet	3912X24	36, 110, 172	Luxor, Concord, Classic
Wall Cabinet	3915	36, 110, 172	Luxor, Concord, Classic
Wall Cabinet	3915X24	37, 111, 173	Luxor, Concord, Classic
Wall Cabinet	3918	37, 111, 173	Luxor, Concord, Classic
Wall Cabinet	3918X24	37, 111, 174	Luxor, Concord, Classic
Wall Cabinet	3924	38, 112, 174	Luxor, Concord, Classic
Wall Cabinet	3924x24	38, 112, 175	Luxor, Concord, Classic
Lazy Susan	LS36	132, 192	Concord, Classic
Blind Base Cabinet	BLB48/51	47, 129	Luxor, Concord
Double Oven Cabinet	OVD3084	59	Luxor
Double Oven Cabinet	OVD3090	59	Luxor
Double Oven Cabinet	OVD3096	59	Luxor
Double Oven Cabinet Trim Kit	OVD30-TRM	59	Luxor
15" Deep Wall Cabinet	3024X15	38	Luxor
End Panel	UREP25	68, 148, 211	Luxor, Concord, Classic
Easy Reach Corner Base Cabinet	ER36	51	Luxor
Batten Molding	BAT	71, 151	Luxor, Concord
1 Door Vanity Base Cabinet	V1816-HA	55	Luxor
2 Door Vanity Base Cabinet	V2418-HA	55	Luxor

New Modifications

Item	SKU	Collection(s)
Full Depth Shelf	CT-SHELF-FD	Luxor, Concord
Base Cabinet Finished Interior	CT-FINISH-B	Luxor, Concord, Classic
Wall Cabinet Finished Interior	CT-FINISH-W	Luxor, Concord, Classic
Tall Cabinet Finished Interior	CT-FINISH-T	Luxor, Concord, Classic
Recessed Toe Kick	CT-TK-REDUCE	Luxor, Concord, Classic
Flush Toe Kick	CT-TKFLUSH	Luxor, Concord, Classic
Base Cabinet to Slnk Base	CHARGE-SINKBASE	Luxor, Concord, Classic
Reduced Top Drawer	CT-TD-REDUCE	Luxor, Concord, Classic
Cut Down Width	CT-WIDTHCUT	Classic, Alvic
Cut Down Height	CT-HEIGHTCUT	Alvic

Discontinuations:

Item	SKU	Collection(s)
Arched Wood Hood	WHA	Luxor, Concord
Straight Wood Hood	WHP	Concord
Mantle Hood	WACC	Concord
Mullion Doors	MD	Concord
Blind Wall Cabinet	BLW39/4230	Luxor, Concord, Classic
Blind Wall Cabinet	BLW39/4236	Luxor, Concord, Classic
Blind Wall Cabinet	BLW39/4242	Luxor, Concord, Classic
30" High 4 Door Wall Cabinet	4830	Concord
30" High Diagonal Corner Wall Cabinet	CW2730	Concord
36" High Diagonal Corner Wall Cabinet	CW2736	Concord
42" High Diagonal Corner Wall Cabinet	CW2742	Concord
Plate Rack Cabinet	PR3018	Concord
Wine Rack Cabinet	WR3018	Concord
Glass Holder	SGH30	Concord
Top of Counter Cabinet	WD1818	Concord
Elegant Dove	EB22	Concord
Wall Cabinet	3021	Luxor
Wall Cabinet	3921	Luxor
15" Deep Wall Cabinet	3624X15	Luxor
Vanity Cabinet	V1816	Classic
Vanity Cabinet	VBD6021-DC	Vanguard
Vanity Cabinet	VOB6021-DC	Vanguard
Matrix Silver	M18	Classic
Matrix Greystone	M19	Classic

Limited Lifetime Warranty:

Please see our updated Limited Lifetime Warranty located in the back of the back on page 242.

Contents

General Information

Policies & Procedures	9
Cabinet Code Key	13
Collections & Styles	17
Comparison Chart	23
Displays & Samples	27

Luxor Collection

Door Styles & Specifications	32
Wall Cabinets	36
Base Cabinets	46
ADA Base Cabinets	54
Tall Cabinets	56
Accessories	60
Vanities & Medicine Cabinets	62
Fillers, Panels & Moldings	68
Modifications & Upgrades	75

Country Collection

Door Styles & Specifications	81
Wall Cabinets	86
Base Cabinets	92
Tall Cabinets	95
Vanities & Medicine Cabinets	97
Fillers, Panels & Moldings	100

Concord Collection

Door Styles & Specifications	103
Wall Cabinets	110
Base Cabinets	121
Tall Cabinets	137
Accessories	141
Vanities & Medicine Cabinets	144
Fillers, Panels & Moldings	147
Decorative Accessories	153
Modifications & Upgrades	157

Classic Collection

Door Styles & Specifications	163
Wall Cabinets	172
Base Cabinets	183
ADA Base Cabinets	196
Tall Cabinets	200
Accessories	204
Vanities & Medicine Cabinets	207
Fillers, Panels & Moldings	210
Modifications & Upgrades	220

Additional Information

Vanguard Collection	225
Surelle Collection	229
Marble & Granite Countertop	231
Modifications & Upgrades	235
Cabinet Care	241
Limited Lifetime Warranty	244

General Information

Policies & Procedures

Design & Pricing Software

CNC Cabinetry provides a product catalog compatible with 2020 Design & ProKitchen Design Software. These are downloadable via our website at www.cnccabinetry.com. CNC Cabinetry does not take responsibility for discrepancies between design software and CNC Cabinetry pricing.

Terms & Conditions Standards

All prices and specifications are subject to change. Payments may be made by ACH, Check, Debit/Credit Card, or Account Credit. To apply for credit, visit <http://cnccabinetry.com/creditapp/>.

Placing Orders

Placing orders can be done through our CABNET program, using the excel order form found on our website, ProKitchen or 2020 SKU lists. Orders will not be accepted over the phone. It is the dealers responsibility to review all quotes for accuracy and confirm before any order goes into production. If you would like the order to ship complete, please note that on quote and approval. If not indicated, order will ship with the available cabinets.

Once an order is placed and sent into production, NO CHANGES can be made. Canceled items/orders after approval, will have a 20% restocking fee (if the order has not yet been shipped). If the cabinets have been shipped or are already palletized, customer is responsible for freight costs back to CNC Cabinetry, if applicable, and a 25% restocking fee. Modified cabinets cannot be cancelled or returned. Unassembled cabinets that have been assembled by the customer cannot be returned. To cancel items from an order, please reach out to your customer service representative.

Delivery Options

- Pick-up.
- CNC truck.
- White-glove delivery available for an additional fee
- Common Carrier-Scheduled by CNC Cabinetry
 - If you have a preferred carrier please request it.
 - Please note that a per pallet fee will be applied to the order
- Common Carrier-Scheduled by Customer
 - If you need a residential lifetgate, please make note of this with your carrier
 - Please note that a per pallet fee will be applied to the order

Orders are automatically scheduled for the next available delivery day to your area unless specified otherwise.

A rescheduled delivery may result in a 20% fee.

Missed pick-up appointments after 48 hours will incur storage fees. After 30 days, orders will be returned to stock and a restocking fee of 25% will be charged.

White Glove Delivery Service

White Glove Delivery is available with CNC truck orders only. Delivery service will cost \$200, which includes a job site delivery fee of \$125. This fee will cover up to the first 25 cabinets. Delivery will be to the ground floor only. Orders over 25 cabinets will incur an additional fee. White Glove Delivery is also available for common carrier orders. These orders are priced per order, please contact your customer service representative for more information.

Please note: In-Home Delivery will have an extended lead time of up to 5 days.

Returns

There will be a 25% restocking fee for any returned cabinet. Shipping/Delivery charges will not be credited for any returns. It is the customer's responsibility to pay for shipping on return items. We will not accept returns on any assembled cabinets by the customer, installed cabinets, or cabinets without their original box. Non-stock cabinets, all Alvic orders, parts including doors and drawers, custom modifications, wood hoods and countertops (post form and self-edge)

Once merchandise is received and inspected at our warehouse, a credit will be issued to your account for the returned merchandise less the 25% restocking fee. Please allow CNC 7-14 business days to process your credit. CNC will not accept returns after 30 days.

Damages

If a cabinet or countertop arrives damaged, please contact customer service and a replacement order will be issued. Pictures of the damages and your CNC sales order or P.O. number must be provided. If you do not have pictures of the damages, we will send the replacement/s for the full price and credit will be applied once we receive the pictures. Do not install damaged cabinets. CNC will not credit damaged cabinets that have been installed. CNC will not credit damaged cabinets after 30 days of delivery.

Lead times

Cut-off time is 5:00pm Eastern time (M-TH) 3:00 pm Eastern time (Friday) for assembled and unassembled cabinets in order to meet standard lead times. Extended lead times will occur for orders containing 100 cabinets or more. An extended lead time will also occur for any post-form or square-edge countertops with cut outs, cut-downs, or assembled miters and for stocked countertops over 12 pieces.

Shipping

CNC offers delivery service with our own fleet of trucks that will deliver within the local New Jersey tri-state area and areas within a 3-hour driving radius of our Florida facility for a minimum charge. Local deliveries will be assessed for pricing based on gas rates. Rates will be reassessed every 90 days. Deliveries are curbside only. Jobsite deliveries are available upon request for a minimal fee. White-glove delivery service is available upon request. Please contact your Customer Service representative for pricing and details.

Outside of our flagship facility areas, we ship via Common Carrier, where the best available pallet rate will be chosen. If a customer sends their own carrier to pick-up cabinets, CNC will not be responsible for filing damage claims. Please note that a per pallet fee will be applied to the order.

Floor load truckloads will be charged 250.00 per truckload.

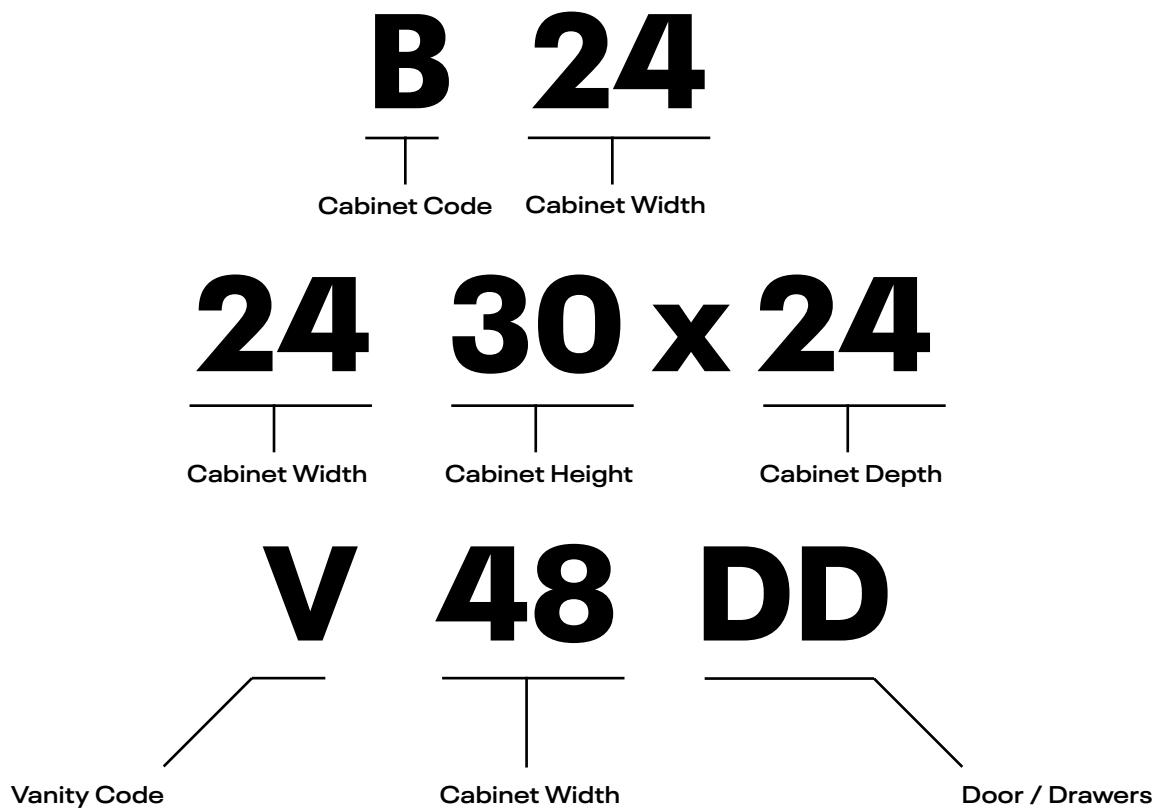
Refused orders or missed pick-ups will be charged a fee to reschedule the delivery or pick-up.

Limited Lifetime Warranty

Please see our updated Limited Lifetime Warranty located in the back of the back on page 179.

Cabinet Code Key

Cabinet Code Key



When looking at product codes it is important to note each element within the code in order to ensure you are ordering the correct cabinet piece. For example, the codes displayed above would translate to:

Base Cabinet; 24" Wide x 34½" High

Wall Cabinet; 24" Wide x 30" High x 24" Deep

Vanity Cabinet; 48" Wide x 21" Deep; Double Drawers

Additionally, it is important to note the following when selecting and ordering cabinets:

- Standard Wall cabinets are 12" deep
- Standard Base cabinets are 34½" high and 24" deep
- Add door thickness for total cabinet depth
- Vanity Cabinets are 32½" high for Country Collection; 34½" high for Luxor, Concord and Classic Collection
- Standard Vanity Cabinets are 21" deep
- Handicap Accessible/Removable cabinets are 32.5" tall and are indicated with 'HA' or 'HR' at the end of a product code

Wall Cabinets

3030 - Wall Cabinet
CW2430 - Corner Wall Cabinet
BLW 27/3030 - Blind Wall Cabinet
WSQ2430 - Square Corner Wall Cabinet
WEC1230 - Wall End Cabinet
WSP - Wall Spice Rack
MW3030 - Microwave Cabinet

Base Cabinets

B30 - Base Cabinet
DB12 - Drawer Base Cabinet
BLB36/39 - Blind Base Cabinet
CSF/CSFFL - Diagonal Corner Sink Front/Floor
ER - Easy Reach
LS - Lazy Susan
CSB36 - Corner Sink Base
CAR33 - Lazy Susan Corner Base Cabinet
SB24 - Sink Base
SB30-FS - Farm Sink Base
BWBK15 - Waste Basket Cabinet
BEC24 - Base End Cabinet
BSP9 - Base Spice Rack
B9-HA - Base; Handicap Accessible
SB36-HR - Base; Handicap Removable

Tall Cabinets

UC2424x84 - Utility Cabinet
OV3384 - Oven Cabinet

Accessories

POS - Pullout Shelf
WCD - Wooden Cutlery Drawer
WH - Wood Hoods
F-SHELF - Floating Shelf

Vanity Cabinets

V2418 - Vanity Sink Base
V30D - 1 Door and 2 Drawer Vanity Sink Base
V482DD - 2 Door and 4 Drawer Vanity Sink Base
VDB15 - Vanity Drawer Base
VBD30 - Bottom Drawer Vanity
VDD30 - Double Drawer Vanity
VOB24 - Open Bottom Vanity
MC1830 - Medicine Cabinet
DD30 - Desk Drawer

Collections & Styles

Luxor Collection

The Luxor Collection is our partial overlay cabinet constructed from all plywood. Cabinets are equipped with 3/4" adjustable shelves and adjustable soft close hinges. All drawer boxes are made with dovetail construction and come with a slab drawer front and six way soft-close undermount glides. Five piece drawer front is available as an upgrade.

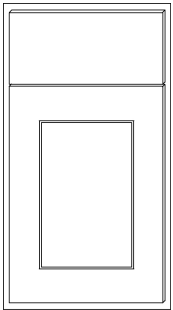
*Please note, cabinet door and box dimensions may vary by 1/8"

Price Codes

L	Z
Luxor	Luxor 5 Panel

Door Styles

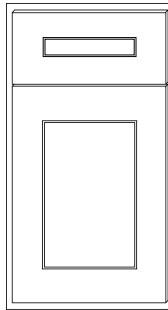
Luxor



- L02 - Smoky Grey
- L03 - Misty Grey
- L05 - Harvest
- L10 - White
- L11 - Espresso

A partial overlay, 1/2" reveal, 2 1/2" wide shaker style door with a flat center panel, Mortise and Tenon construction, and a slab drawer front.

Luxor 5P



- L02 - Smoky Grey
- L03 - Misty Grey
- L05 - Harvest
- L10 - White
- L11 - Espresso

Country Collection

The Country Collection is our standard overlay cabinet constructed from all plywood. The wall and base cabinets are equipped with 3/4" plywood adjustable shelves and adjustable hinges. Drawer boxes are made with plywood and have side mount glides.

*Please note, cabinet door and box dimensions may vary by 1/8"

Price Codes

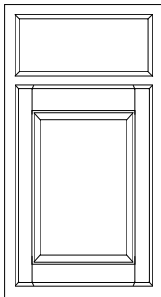
R

Oak

Door Styles

Country Oak

C4 - Oak



A standard overlay, 1" reveal, 5 piece solid wood with a raised MDF veneer center panel. Mortise and Tenon construction, slab drawer front. Solid wood in a Honey finish.

Concord Collection

The Concord Collection is our full-overlay all plywood cabinet, which comes with full 1/2" back panels, complete with solid wood dovetail drawer box and a 5-piece drawer front, enhanced by a soft-close feature and full extension under-mount glides to create a smooth glide. The cabinetry is equipped with 3/4" adjustable shelves with metal clips and six way, soft close, adjustable clip-on hinges. Natural wood finished interiors allow for practicality and ease of maintenance.

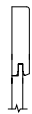
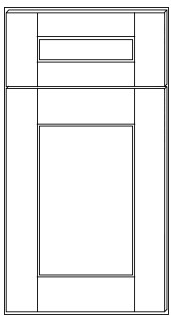
*Please note, cabinet door and box dimensions may vary by 1/8"

Price Codes

A	B	C	D	M	N	O	P
Elegant White	Fashion White	Park Avenue White	Newport Plus (stain)	Elegant Plus	Fashion Plus	Sydney Plus (paint)	Sydney Plus (Stain)
Elegant Ocean	Fashion Ocean	Park Avenue Ocean		Newport Plus (paint)		Richmond Plus	
Elegant Smoky Grey	Elegant Stone	Richmond White					
Newport White		Richmond Stone					
		Sydney White					

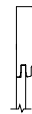
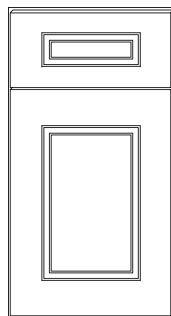
Door Styles

Elegant



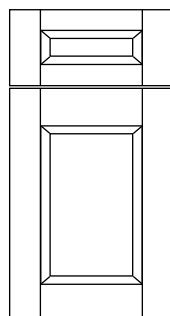
A full overlay 5 piece solid wood, with solid MDF veneer flat center panel. Mortise and Tenon construction.

Fashion



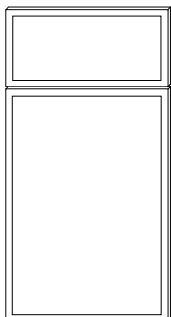
A full overlay 5 piece solid wood, with solid MDF veneer flat center panel. Mortise and Tenon construction.

Sydney



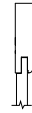
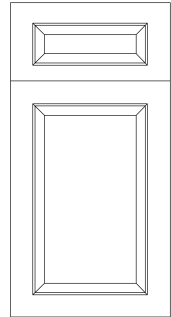
A full overlay 5 piece solid wood, with solid MDF veneer flat center panel. French mitered construction.

Newport



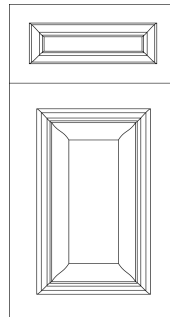
A full overlay 5 piece solid wood, with solid MDF veneer flat center panel with a 3/4" frame.

Richmond



A full overlay 5 piece solid wood, with solid MDF veneer flat center panel. Mitered construction.

Park Avenue



A full overlay 5 piece solid wood, raised panel MDF veneer center. Mitered construction.

Classic Collection

White Laminate Box

Composed of a frame-less box construction, with double white wall metal drawer with 1/2" plywood bottom. Outfitted with full extension, under-mount drawer glides, as well as the soft-close feature. Features six way adjustable soft close hinges, 3/4" adjustable full-depth plywood shelves, and dowel and glue-clamped assembly construction

Maple Box

Composed of a frame-less box construction, complete with solid wood dovetail drawer box . Outfitted with full extension, under-mount drawer glides, as well as the soft-close feature. Features six way adjustable soft close hinges, 3/4" adjustable full-depth plywood shelves, and dowel and glue-clamped assembly construction.

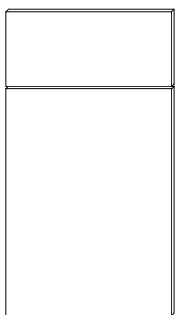
*Please note, cabinet door and box dimensions may vary by 1/8"

Price Codes

E	F	G	H	I	J	K
Broadway	Milano	Versailles White	Versailles Plus (paint)	Versailles Plus (stain)	Alvic Synchron (textured)	Alvic Zenit (matte)
		Highland White	Highland Plus			Alvic Luxe (high gloss)

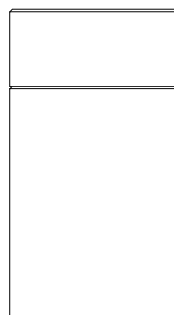
Door Styles

Broadway



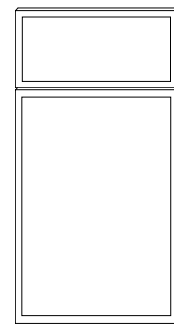
A full overlay low pressure laminate flat panel MDF door.

Milano



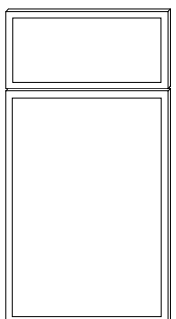
A full overlay slab door made from a MDF core, wrapped in PET with a matching edgeband and melamine back.

Versailles



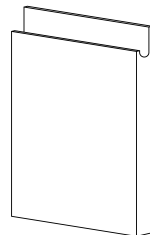
A full overlay 5 piece solid wood, with solid MDF veneer flat center panel with a 3/4" frame.

Highland

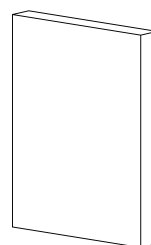


A full overlay reverse slim shaker door made from a MDF core, with a white melamine back and painted front.

Alvic



Finger-Pull
18mm / 3/4"



Slab
18mm / 3/4"

*Full color list available on website

Alvic doors come with a color matching soft postforming edge band. Finger pull and slab doors are 18mm thick.

Comparison Chart

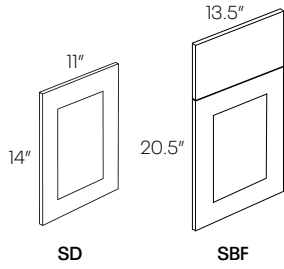
Comparison Guide

Collection	Door Style		Item Codes		Interior		Hardware		Finished Side	Toe Kick Thickness	Back Panel	HA/HR32.5 HOODS	Matching Edgework	Upgrades Available			Cut			Replacement parts
	Name	Door Construction	Door Reveal	Assemble d	RTA	Color	Hinges	Glides						Drawer box/Blum Upgrade	Base Full Depth Shelf	Finished Interior	Out For Glass	Depth	Width	
Country	Country Oak	2" Raised Panel Shaker Cope & Stick	1"	C	CR	Maple Paper Finish	DTC Adjustable Hinges	DTC Epoxy White Side-Mount Plywood	Not Available	1/2" Extended	1/2"	N	N	Not Available	Not Available	Y	N	N	CHW-C4-	
	Luxor	2.5" Wide Shaker Cope & Stick	1/2"	L	LR	Maple Paper Finish	DTC Soft-close adjustable hinges	5/8" Wood Dovetail	Not Available	1/2" Inset	1/2"	Y	Y	Not Available	Available	Y	N	N	CHW-LUX-	
Concord	Elegant	3" Wide Shaker Cope & Stick	1/4"	EB	EBR	Maple UV Finish	DTC Soft-close adjustable Blum Soft-close adjustable Clip on	3/4" Wood Dovetail	Available	1/2" Extended	1/2" + 3" Hanging Rails	N	Y	Not Available	Available	Y	N	N	CHW-CON-	
	Elegant Plus	3" Wide Shaker Cope & Stick	1/4"	EBP	Not Available	Maple UV Finish	Blum Soft-close adjustable Clip on	3/4" Wood Dovetail	Standard	1/2" Extended	1/2" + 3" Hanging Rails	N	Y	Not Available	Available	Y	N	N	CHW-B-CON-	
	Fashion	3" Wide Step Shaker Cope & Stick	1/4"	FB	FBR	Maple UV Finish	DTC Soft-close adjustable Blum Soft-close adjustable Clip on	3/4" Wood Dovetail	Available	1/2" Extended	1/2" + 3" Hanging Rails	N	Y	Not Available	Available	Y	N	N	CHW-CON-	
	Fashion Plus	3" Wide Step Shaker Cope & Stick	1/4"	FBP	Not Available	Maple UV Finish	Blum Soft-close adjustable Clip on	3/4" Wood Dovetail	Standard	1/2" Extended	1/2" + 3" Hanging Rails	N	Y	Not Available	Available	Y	N	N	CHW-B-CON-	
	Richmond	3" Wide Mitered	1/4"	RB	RBR	Maple UV Finish	DTC Soft-close adjustable Blum Soft-close adjustable Clip on	3/4" Wood Dovetail	Available	1/2" Extended	1/2" + 3" Hanging Rails	N	Y	Not Available	Available	Y	N	N	CHW-CON-	
	Richmond Plus	3" Wide Mitered	1/4"	RBP	Not Available	Maple UV Finish	Blum Soft-close adjustable Clip on	3/4" Wood Dovetail	Standard	1/2" Extended	1/2" + 3" Hanging Rails	N	Y	Not Available	Available	Y	N	N	CHW-B-CON-	
	Sydney	3" Wide French Miter	1/4"	SB	SBR	Maple UV Finish	DTC Soft-close adjustable Blum Soft-close adjustable Clip on	3/4" Wood Dovetail	Available	1/2" Extended	1/2" + 3" Hanging Rails	N	Y	Not Available	Available	Y	N	N	CHW-CON-	
	Sydney Plus	3" Wide French Miter	1/4"	SBP	Not Available	Maple UV Finish	Blum Soft-close adjustable Clip on	3/4" Wood Dovetail	Standard	1/2" Extended	1/2" + 3" Hanging Rails	N	Y	Not Available	Available	Y	N	N	CHW-B-CON-	
	Sydney Oak	3" Wide French Miter	1/4"	SKP	Not Available	Maple UV Finish	Blum Soft-close adjustable Clip on	3/4" Wood Dovetail	Standard	1/2" Extended	1/2" + 3" Hanging Rails	N	Y	Not Available	Available	Y	N	N	CHW-B-CON-	
	Newport	Slim Shaker Cope & Stick	1/4"	NB	NBR	Maple UV Finish	DTC Soft-close adjustable Blum Soft-close adjustable Clip on	3/4" Wood Dovetail	Available	1/2" Extended	1/2" + 3" Hanging Rails	N	Y	Not Available	Available	Y	N	N	CHW-CON-	
	Newport Plus	Slim Shaker Cope & Stick	1/4"	NBP	Not Available	Maple UV Finish	Blum Soft-close adjustable Clip on	3/4" Wood Dovetail	Standard	1/2" Extended	1/2" + 3" Hanging Rails	N	Y	Not Available	Available	Y	N	N	CHW-B-CON-	
	Newport Oak	Slim Shaker Cope & Stick	1/4"	NKP	Not Available	Maple UV Finish	Blum Soft-close adjustable Clip on	3/4" Wood Dovetail	Standard	1/2" Extended	1/2" + 3" Hanging Rails	N	Y	Not Available	Available	Y	N	N	CHW-B-CON-	
	Park Ave	Mitered Raised Panel	1/4"	PB	PBR	Maple UV Finish	DTC Soft-close adjustable	3/4" Wood Dovetail	Available	1/2" Extended	1/2" + 3" Hanging Rails	N	Y	Not Available	Available	Y	N	N	CHW-CON-	

Displays & Samples

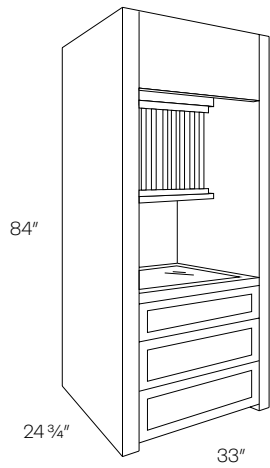
Item Number	Luxor/Country	Concord	Concord Plus (Paint)	Concord Plus (Stain)	Classic	Classic Plus (Paint)	Classic Plus (Stain)
SD11X14	18	18	22	24	18	22	24
SBF13.5	25	25	22	24	25	22	24

Door Samples

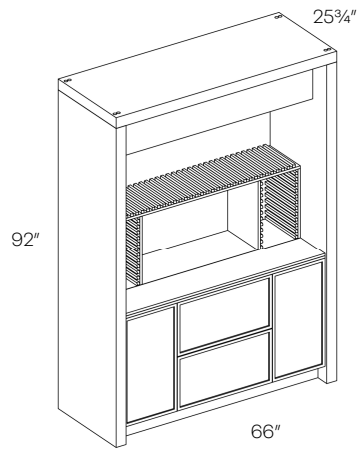


• Net Price

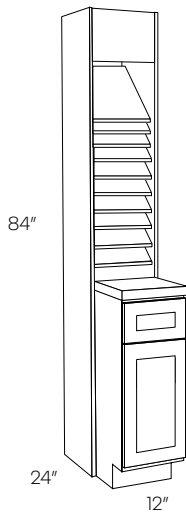
Showroom Displays



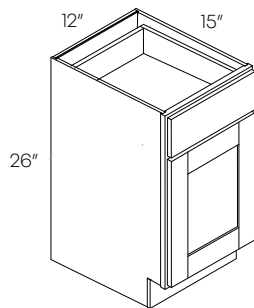
DISP-CENTER



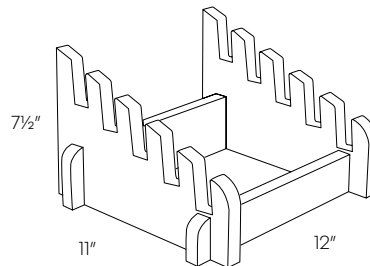
DISP-KIOSK



DISP-MERCH



B12M



DISP-STAND

Item Number	Luxor/Country	Concord	Classic
DISP-L10-B12M	95	N/A	N/A
DISP-EB10-B12M	N/A	130	N/A
DISP-MPW400-B12M	N/A	N/A	132
DISP-BMM600-B12M	N/A	N/A	132
DISP-KIOSK	2500	2500	2500
DISP-CENTER	1400	1400	1400
DISP-STAND	222	222	222
DISP-MERCH	330	330	330

* Available in all styles in White
• Net Price

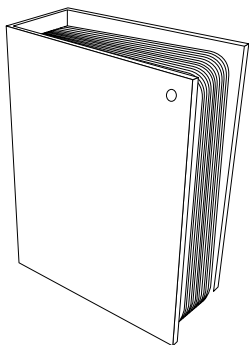
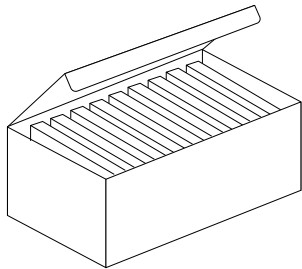
Item Number	Luxor/Country	Concord	Classic
-------------	---------------	---------	---------

Literature



DISP-SPEC (Spec Book)	0	0	0
DISP-CAT (Catalog)	0	0	0
DISP-TRIFOLD (Door Guide)	0	0	0
DISP-CNTP (Countertops)	0	0	0
DISP-LUXPRODUCT (Luxor Guide)	0	0	0
DISP-BINDKIT (Welcome Kit)	0	0	0

Swatches



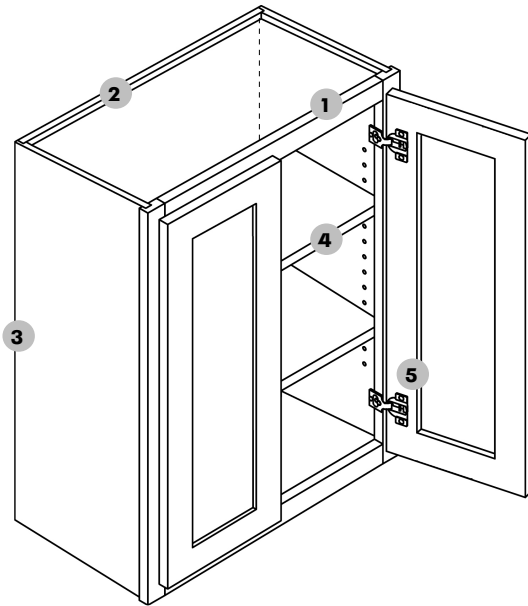
DISP-C-BOOK

DISP-6x6 (individual color block sample)	20	20	20
DISP-PFCHIPS (countertop samples)	0	0	0
DISP-MLDG (molding samples)	47	47	47
DISP-GT6x6-SET (all granite colors)	50	50	50
DISP-C-BOOK-M (Milano swatch book)	N/A	N/A	50
DISP-C-BOOK-B (Broadway swatch book)	N/A	N/A	50
DISP-C-BOOK-PLUS (Plus colors swatch book)	50	50	50
DISP-C-BOOK-STOCK (Concord & Luxor swatch book)	50	50	N/A
ALL - CS 8x8 (Alvic Luxe color sample)	N/A	N/A	18
ALS - CS 8x8 (Alvic Synchron color sample)	N/A	N/A	18
ALZ - CS 8x8 (Alvic Zenit color sample)	N/A	N/A	18

- Net Price (Price includes shipping)
- Alvic Samples include shipping

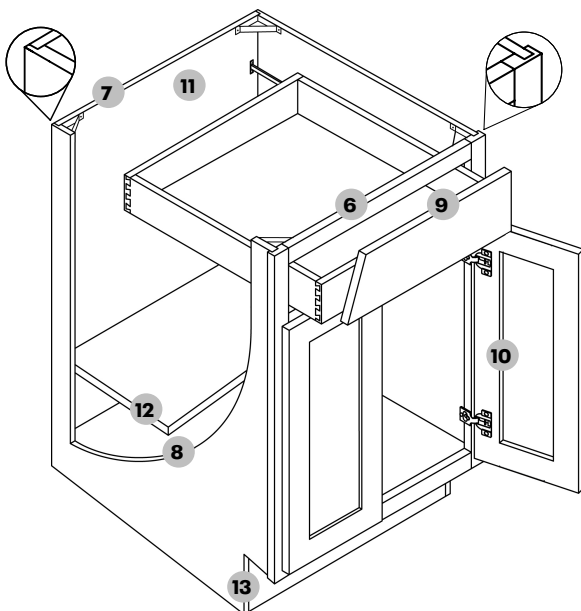
Cabinet & Door Information

Luxor Collection



- 1 **Frame** — 3/4" thick Solid Wood, 1½" wide, kiln-dried solid hardwood. Assembled with glue and nails, under clamp pressure, which ensures squareness.
- 2 **Back panel** — Made of 1/2" plywood. Dado joints stapled into cabinet sides, glued and screwed into top and bottom.
- 3 **End panel** — Top and bottom 1/2" plywood substrate, with light maple woodgrain laminate interior. Matching exterior.
- 4 **Shelves** — 3/4" thick, plywood; fully adjustable.
- 5 **Hinges** — Heavy duty steel concealed hinge, adjustable with soft-close mechanism.

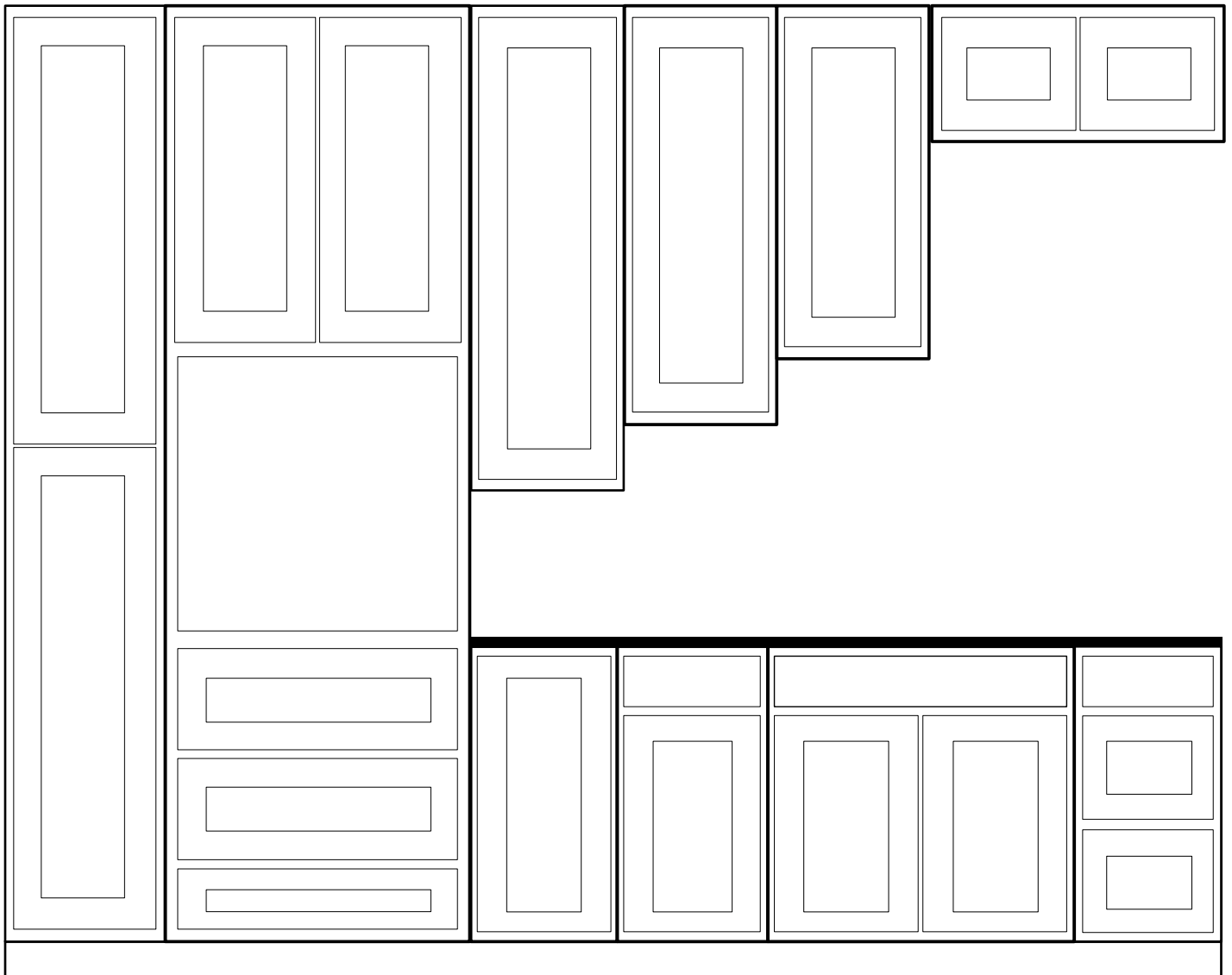
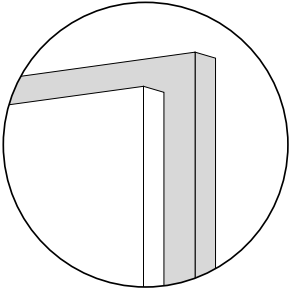
*36" and 42" Wall cabinets will have 3 hinges



- 6 **Base frame** — 3/4" thick Solid Wood, 1½" wide, kiln-dried solid hardwood. Assembled with glue and nails, under clamp pressure, which ensures squareness.
- 7 **Back panel** — Made of 1/2" plywood. Dado joints stapled into cabinet sides, glued and screwed into top and bottom.
- 8 **End panel** — 1/2" plywood substrate, with light maple woodgrain laminate interior. Matching exterior.
- 9 **Drawers** — 5/8" solid wood Dovetail sides 3/8" thick bottom
- 10 **Hinges** — Heavy duty steel concealed hinge, adjustable with soft-close mechanism.
- 11 **Glides** — 3/4" extension, high quality soft-close under mounted glides.
- 12 **Shelves** — 3/4" thick, plywood; fully adjustable. (10" deep)
- 13 **Toe kick** — 4½" Toe kick with 3" inset on all standard base and vanity cabinets.

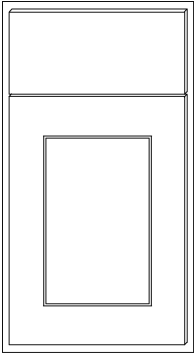
Partial Overlay

1/2" Reveal

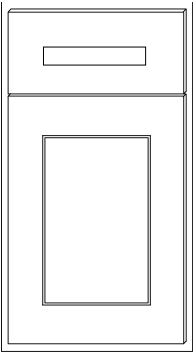


4 1/2"
Toe Kick

Luxor



A partial 1/2" reveal, 2 1/2" wide shaker style MDF door with a flat center panel, Mortise and Tenon construction, slab drawer front.



*5 Piece Drawer front

Finish	Price Code (Slab)	Price Code (5 Panel)
L02 - Smoky Grey (stain) (Birch/Hardwood door)	L	Z
L03-Misty Grey (paint) (MDF door)	L	Z
L05-Harvest (stain) (Hardwood door)	L	Z
L10-White (paint) (MDF door)	L	Z
L11-Espresso (stain) (Birch/Hardwood door)	L	Z

*Matching finished interiors are not available

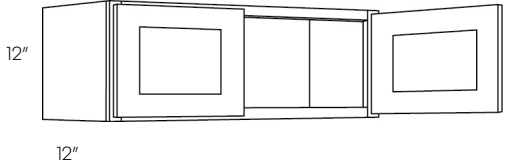
*Glass doors are available for all wall cabinets

Specifications & Pricing

Luxor Collection

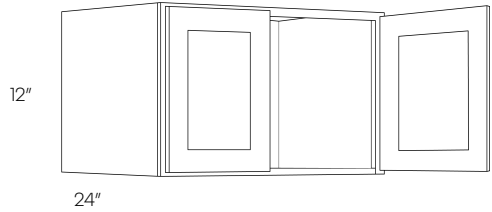
		Item Number	L
12" High Wall Cabinet		3012	338
		3312	351
		3612	381
		3912	411

• No Shelf



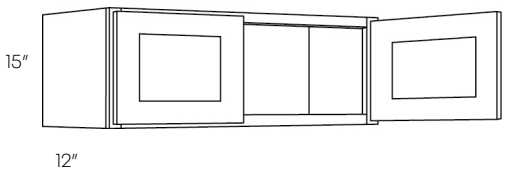
12" High, 24" Deep Wall Cabinet		3612X24	508
		3912X24	548

• No Shelf



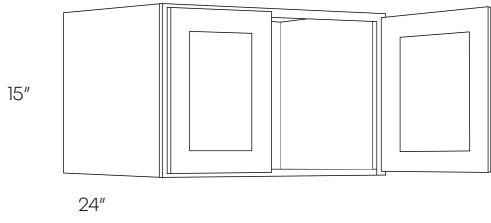
15" High Wall Cabinet		2415	334
		3015	344
		3315	359
		3615	381
		3915	420

• No Shelf



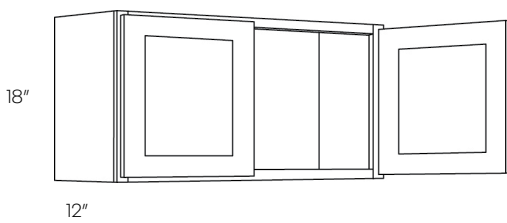
	Item Number	L
15" High, 24" Deep Wall Cabinet	3015X24	462
	3615X24	514
	3915X24	565

• No Shelf

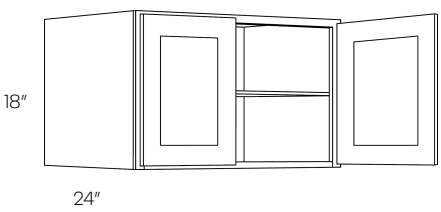


18" High Wall Cabinet	2118 (1Door)	317
	2418	334
	2718	341
	3018	349
	3318	378
	3618	433
	3918	485

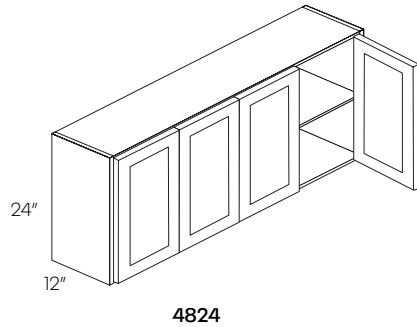
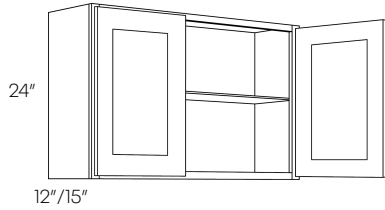
• No Shelf



18" High, 24" Deep Wall Cabinet	3018X24	514
	3318X24	567
	3618X24	579
	3918X24	591



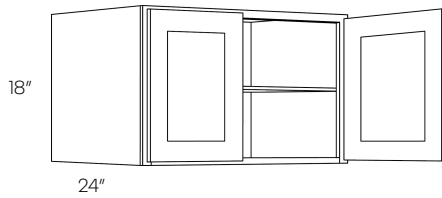
24" High Wall Cabinet



Item Number	L
1824 (1 Door)	356
2424	458
2724	470
3024	480
3024X15	549
3324	511
3624	549
3924	600
4224	653
4824 (4 Door)	729

• Has One Shelf

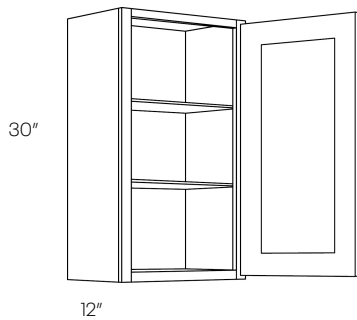
24" High, 24" Deep Wall Cabinet



3024X24	641
3324X24	691
3624x24	741
3924x24	830

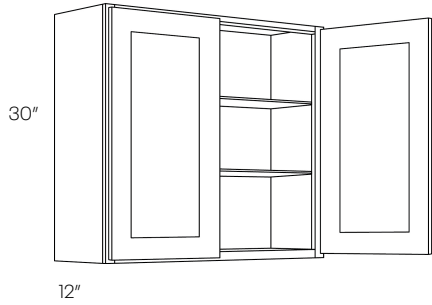
• Has One Shelf

30" High 1 Door Wall Cabinet

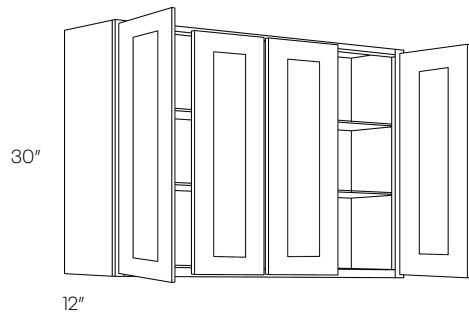


930	272
1230	303
1530	327
1830	368
2130	440

	Item Number	L
30" High 2 Door Wall Cabinet	2430	469
	2730	516
	3030	529
	3330	575
	3630	612
	3930	660
	4230	702

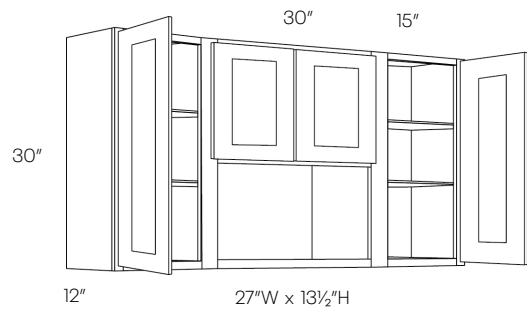


30" High 4 Door Wall Cabinet	4830	794
	5430	888



30" High Open Wall Cabinet	6030-O	907
-----------------------------------	--------	-----

• Opening Natural Interior Finish



30" High Blind Wall Cabinet

Item Number: L

BLW27/3030	667
BLW30/3330	732
BLW36/3930	797
BLW42/4530	956
BLW45/4830	1000

- Reversible Left or Right
- Can be installed at actual size

Cabinet	Min. Pull	Max. Pull	Actual Size	Door(s)	Door Opening
BLW27/3030	27"	30"	27"	1230	9" X 27"
BLW30/3330	33"	33"	30"	1530	12" X 27"
BLW36/3930	36"	39"	36"	2130	18" X 27"
BLW42/4530	42"	45"	42"	2730	24" X 27"
BLW45/4830	45"	48"	45"	3030	27" X 27"

30" High Diagonal Corner Wall Cabinet

Item Number: L

CW2430	683
--------	-----

- Requires 24"x24" wall space

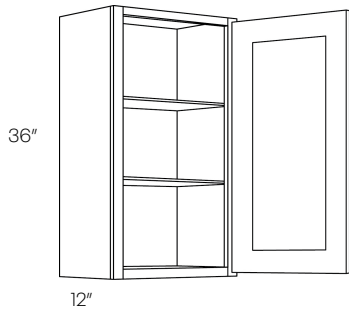
30" High Corner Wall Cabinet

Item Number: L

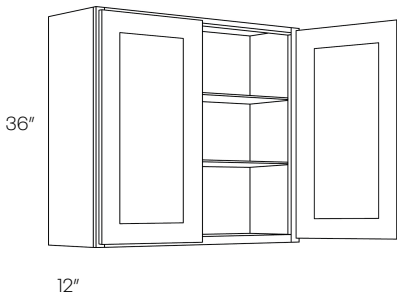
WSQ2430	786
---------	-----

- Requires 24" X 24" wall space
- Pie is 12" X 12"

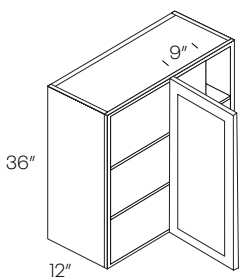
	Item Number	L
36" High 1 Door Wall Cabinet	936	310
	1236	344
	1536	371
	1836	418
	2136	499



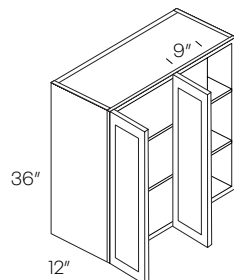
36" High 2 Door Wall Cabinet	2436	535
	2736	586
	3036	604
	3336	657
	3636	698
	4236	797



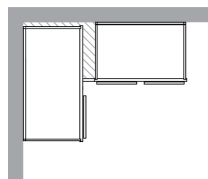
36" High Blind Wall Cabinet	BLW27/3036	759
	BLW30/3336	835
	BLW36/3936	911
	BLW42/4536	987



BLW27/BLW36



BLW39

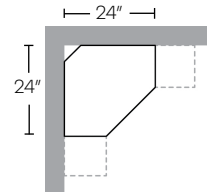
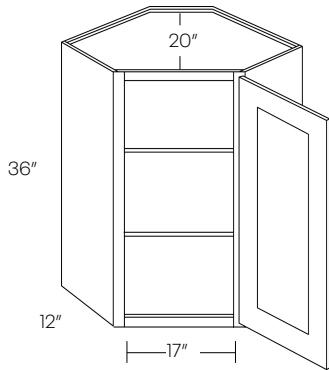


- Reversible Left or Right
- Can be installed at actual size

Cabinet	Min. Pull	Max. Pull	Actual Size	Door(s)	Door Opening
BLW27/3030	27"	30"	27"	1236	9" X 33"
BLW30/3330	33"	33"	30"	1536	12" X 33"
BLW36/3930	36"	39"	36"	2136	18" X 33"
BLW42/4530	42"	45"	42"	2736	24" X 33"

	Item Number	L
36" High Diagonal Corner Wall Cabinet	CW2436	780

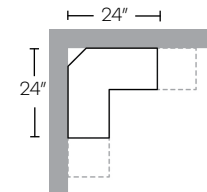
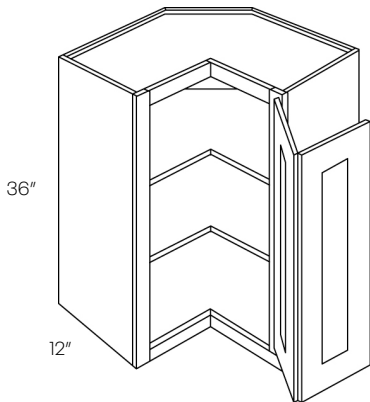
- Requires 24"x24" wall space



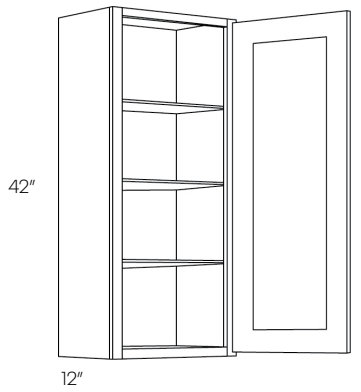
36" High Corner Wall Cabinet

WSQ2436	827
----------------	-----

- Requires 24" X 24" wall space
- Pie is 12" X 12"



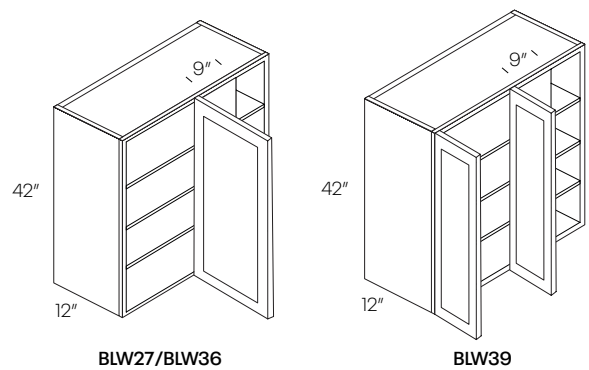
	Item Number	L
42" High 1 Door Wall Cabinet	942	366
	1242	396
	1542	438
	1842	487
	2142	580



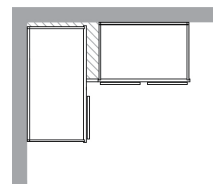
42" High 2 Door Wall Cabinet	2442	622
	2742	685
	3042	710
	3342	763
	3642	810
	4242	940



42" High Blind Wall Cabinet	BLW27/3042	861
	BLW30/3342	948
	BLW36/3942	1035
	BLW42/4542	1122

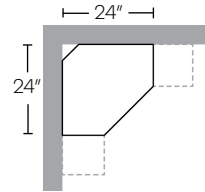
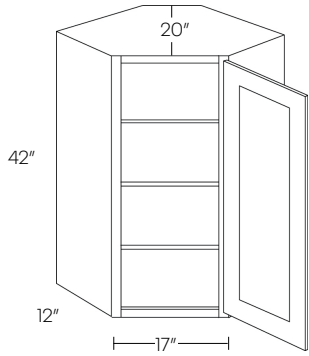


- Reversible Left or Right
- Can be installed at actual size



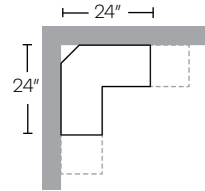
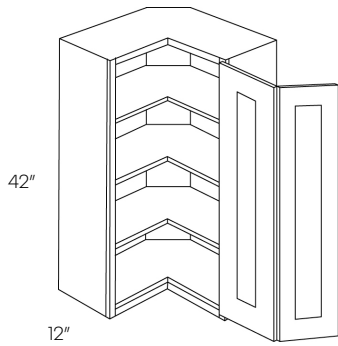
Cabinet	Min. Pull	Max. Pull	Actual Size	Door(s)	Door Opening
BLW27/3030	27"	30"	27"	1242	9" X 39"
BLW30/3330	33"	33"	30"	1542	12" X 39"
BLW36/3930	36"	39"	36"	2142	18" X 39"
BLW42/4530	42"	45"	42"	2742	24" X 39"

	Item Number	L
42" High Diagonal Corner Wall Cabinet	CW2442	888



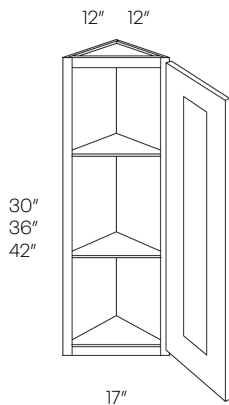
- Requires 24"x24" wall space

42" High Corner Wall Cabinet	WSQ2442	1026
-------------------------------------	----------------	------



- Requires 24" X 24"
- Pie is 12" X 12"

Single Door Wall End Cabinet	WEC1230	319
	WEC1236	363
	WEC1242	404



- 42" has 3 shelves

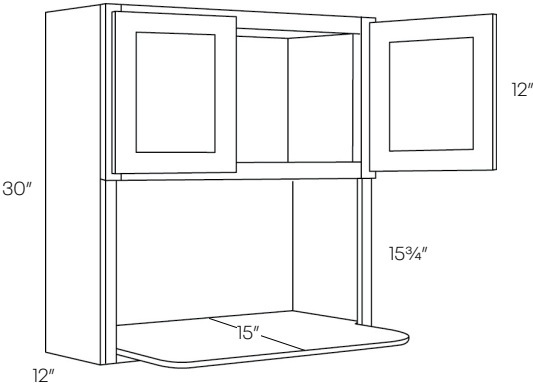
Item Number

L

Microwave Cabinet

MW3030

656

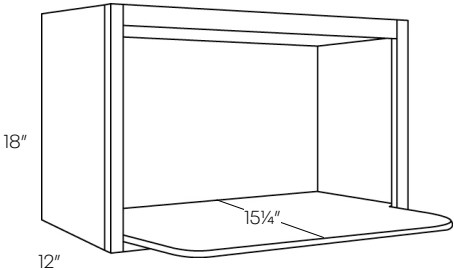


- Opening 27" x 15 1/4"
- Shelf 15" deep
- Shelf ships loose
- Depth of the shelf may be cut-down
- Finished Interior

Microwave Cabinet Shelf

MW3018

460



- Opening 27" X 14 1/4"
- Shelf ships loose
- Depth of the shelf may be cut-down
- Finished Interior

1 Door Base Cabinet

Item Number	L	Z
B9	396	406
B12	456	467
B15	477	489
B18	501	514
B21	571	585

- 10" Deep Shelf

Full Height 1 Door Base Cabinet

Item Number	L	Z
B9-FH	396	N/A
B21-FH*	571	N/A

- 10" Deep Shelf

*Full height doors will have a larger reveal on the bottom and will not align with other base cabinets

1 Drawer 2 Door Base Cabinet

Item Number	L	Z
B24	639	655
B27	706	724

- 10" Deep Shelf

Full Height 1 Drawer 2 Door Base Cabinet

Item Number	L	Z
B24-FH	639	N/A
B27-FH	706	N/A

- 10" Deep Shelf

*Full height doors will have a larger reveal on the bottom and will not align with other base cabinets

2 Drawer 2 Door Base Cabinet

Item Number	L	Z
B30	769	788
B33	821	842
B36	861	883
B39	916	939
B42	965	989

- 10" Deep Shelf

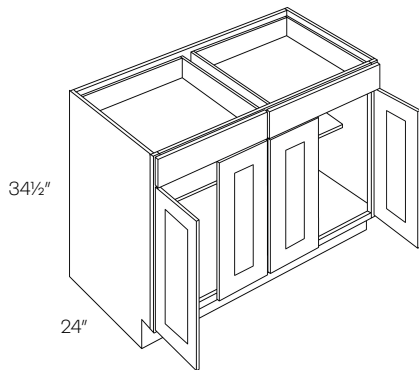
Full Height 2 Drawer 2 Door Base Cabinet

Item Number	L	Z
B30-FH	769	N/A
B33-FH	821	N/A
B36-FH	861	N/A
B39-FH	916	N/A
B42-FH	965	N/A

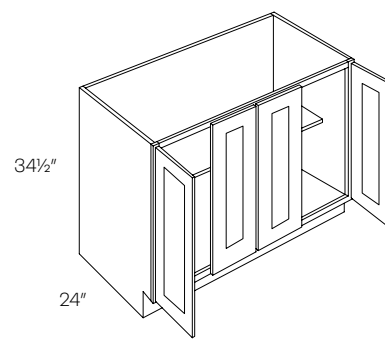
- 10" Deep Shelf

*Full height doors will have a larger reveal on the bottom and will not align with other base cabinets

	Item Number	L	Z
2 Drawer 4 Door Base Cabinet	B48	1070	1097
	• 10" Deep Shelf		

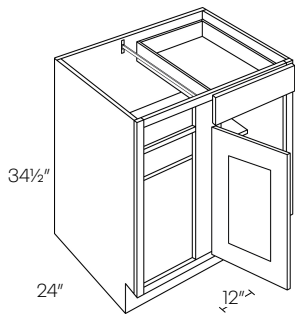


	Item Number	L	Z
Full Height 2 Drawer 4 Door Base Cabinet	B48-FH	1070	N/A
	• 10" Deep Shelf		

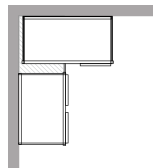


*Full height doors will have a larger reveal on the bottom and will not align with other base cabinets

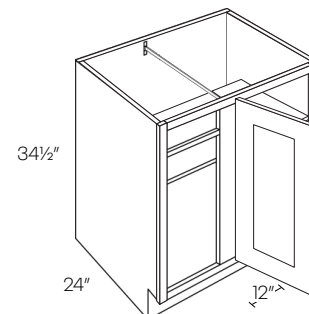
Blind Base Cabinet	BLB36/39	814	834
	BLB39/42	840	861
	BLB42/45	898	920
	BLB45/48	961	985
	BLB48/51	1035	1061



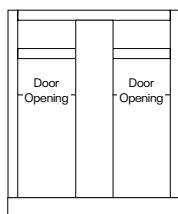
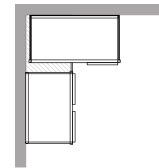
- Reversible Left or Right
- Must be pulled to the minimum position
- * Left blind shown



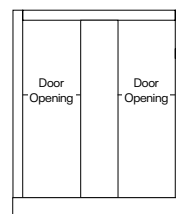
Full Height Blind Base Cabinet	BLB36/39-FH	814	N/A
	BLB39/42-FH	840	N/A
	BLB42/45-FH	898	N/A
	BLB45/48-FH	961	N/A
	BLB48/51-FH	1035	N/A



- Reversible Left or Right
- Must be pulled to the minimum position
- * Left blind shown
- *Full height doors will have a larger reveal on the bottom and will not align with other base cabinets



Cabinet	Min. Pull	Max. Pull	Actual Size	Door	Door Opening
BLB36/39	36"	39"	27"	B9	6"
BLB39/42	39"	42"	33"	B12	9"
BLB42/45	42"	45"	39"	B15	12"
BLB45/48	45"	48"	45"	B18	15"
BLB48/51	48"	51"	48"	B39	18"



Cabinet	Min. Pull	Max. Pull	Actual Size	Door	Door Opening
BLB36/39	36"	39"	27"	B9	6"
BLB39/42	39"	42"	33"	B12	9"
BLB42/45	42"	45"	39"	B15	12"
BLB45/48	45"	48"	45"	B18	15"
BLB48/51	48"	51"	48"	B39	18"

1 Door Base Cabinet W/ 1 POS

Item Number	L	Z
B12-POS1	777	796
B15-POS1	808	828
B18-POS1	855	876
B21-POS1	938	961

- 10" Deep Shelf

34½"
24"

Full Height 1 Door Base Cabinet W/ 1 POS

Item Number	L	Z
B12-FH-POS1	777	N/A
B15-FH-POS1	808	N/A
B18-FH-POS1	855	N/A
B21-FH-POS1	938	N/A

- 10" Deep Shelf

*Full height doors will have a larger reveal on the bottom and will not align with other base cabinets

34½"
24"

1 Drawer 2 Door Base Cabinet W/ 1 POS

Item Number	L	Z
B24-POS1	1059	1085
B27-POS1	1136	1164

- 10" Deep Shelf

34½"
24"

Full Height 1 Drawer 2 Door Base Cabinet W/ 1 POS

Item Number	L	Z
B24-FH-POS1	1059	N/A
B27-FH-POS1	1136	N/A

- 10" Deep Shelf

*Full height doors will have a larger reveal on the bottom and will not align with other base cabinets

34½"
24"

2 Drawer 2 Door Base Cabinet W/1 POS

Item Number	L	Z
B30-POS1	1216	1246
B33-POS1	1238	1315
B36-POS1	1310	1343
B39-POS1	1466	1503
B42-POS1	1622	1663

- 10" Deep Shelf

34½"
24"

Full Height 2 Drawer 2 Door Base Cabinet W/1 POS

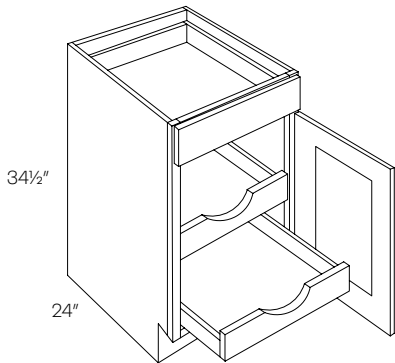
Item Number	L	Z
B30-FH-POS1	1216	N/A
B33-FH-POS1	1238	N/A
B36-FH-POS1	1310	N/A
B39-FH-POS1	1466	N/A
B42-FH-POS1	1622	N/A

- 10" Deep Shelf

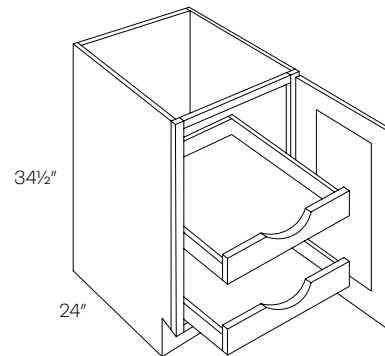
*Full height doors will have a larger reveal on the bottom and will not align with other base cabinets

34½"
24"

	Item Number	L	Z
1 Door Base Cabinet W/ 2 POS	B12-POS2	987	1012
	B15-POS2	1028	1054
	B18-POS2	1101	1129
	B21-POS2	1195	1225

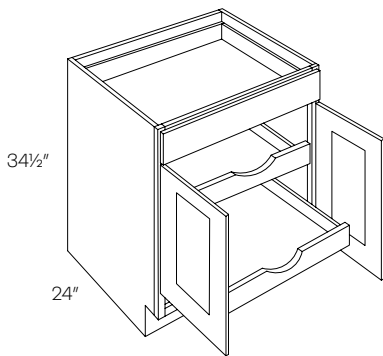


	Item Number	L	Z
Full Height 1 Door Base Cabinet W/ 2 POS	B12-FH-POS2	987	N/A
	B15-FH-POS2	1028	N/A
	B18-FH-POS2	1101	N/A
	B21-FH-POS2	1195	N/A

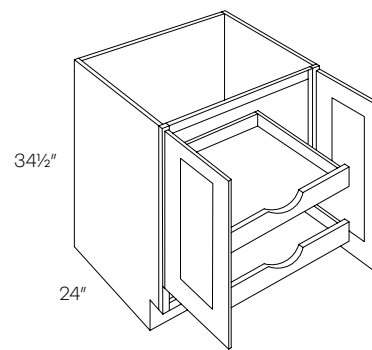


*Full height doors will have a larger reveal on the bottom and will not align with other base cabinets

	Item Number	L	Z
1 Drawer 2 Door Base Cabinet W/ 2 POS	B24-POS2	1362	1396
	B27-POS2	1453	1489

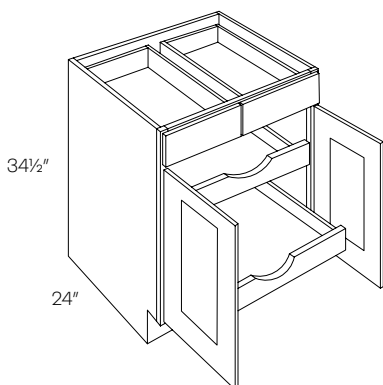


	Item Number	L	Z
Full Height 1 Drawer 2 Door Base Cabinet W/ 2 POS	B24-FH-POS2	1362	N/A
	B27-FH-POS2	1453	N/A

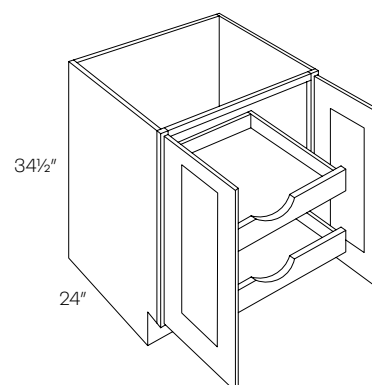


*Full height doors will have a larger reveal on the bottom and will not align with other base cabinets

	Item Number	L	Z
2 Drawer 2 Door Base Cabinet W/ 2 POS	B30-POS2	1548	1587
	B33-POS2	1629	1670
	B36-POS2	1757	1801
	B39-POS2	2018	2069
	B42-POS2	2279	2336



	Item Number	L	Z
Full Height 2 Drawer 2 Door Base Cabinet W/ 2 POS	B30-FH-POS2	1548	N/A
	B33-FH-POS2	1629	N/A
	B36-FH-POS2	1757	N/A
	B39-FH-POS2	2018	N/A
	B42-FH-POS2	2279	N/A



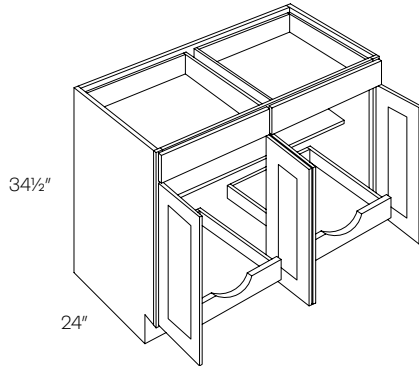
*Full height doors will have a larger reveal on the bottom and will not align with other base cabinets

Item Number	L	Z
-------------	---	---

2 Drawer 4 Door Base Cabinet W/2 POS

B48-POS2	1785	1830
-----------------	------	------

• 10" Deep Shelf



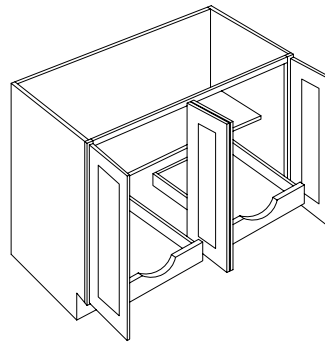
Item Number	L	Z
-------------	---	---

Full Height 2 Drawer 4 Door Base Cabinet W/2 POS

B48-FH-POS2	1785	N/A
--------------------	------	-----

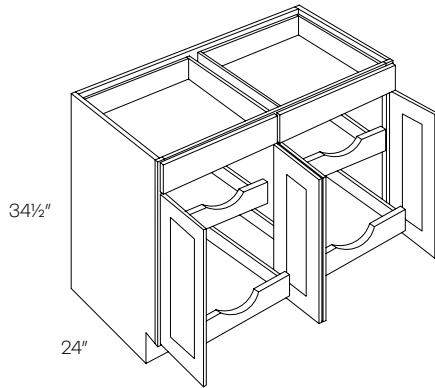
• 10" Deep Shelf

*Full height doors will have a larger reveal on the bottom and will not align with other base cabinets



2 Drawer 4 Door Base Cabinet W/2 POS

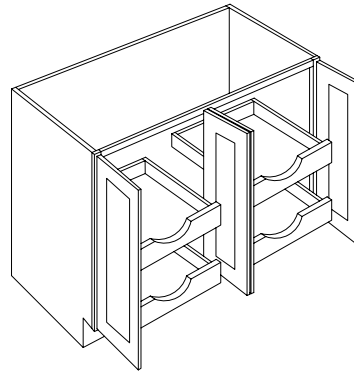
B48-POS4	2501	2564
-----------------	------	------



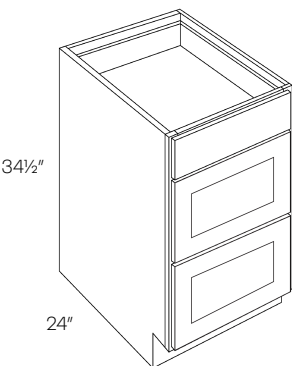
Full Height 2 Drawer 4 Door Base Cabinet W/2 POS

B48-FH-POS4	2501	N/A
--------------------	------	-----

*Full height doors will have a larger reveal on the bottom and will not align with other base cabinets

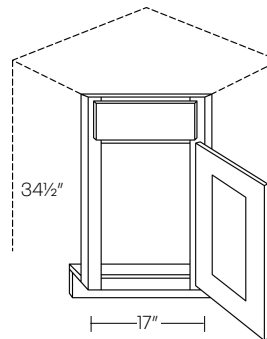


3 Drawer Base Cabinet



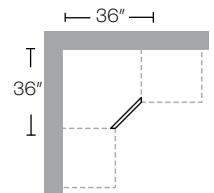
DB12	705	723
DB15	738	756
DB18	761	780
DB21	790	810
DB24	817	837
DB27	839	860
DB30	893	915
DB36	965	989

Diagonal Corner Sink Front



CSF36R*	327	361
CSF36L*	327	361
CSFFL36 (Floor)	153	153

*Requires 36" x 36" wall space.
*Requires Floor (sold separately)

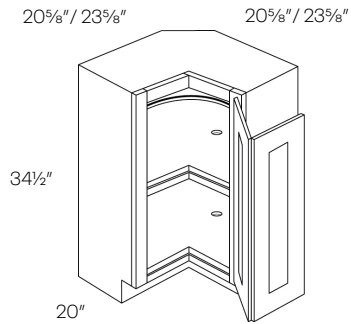


Item Number	L	Z
-------------	---	---

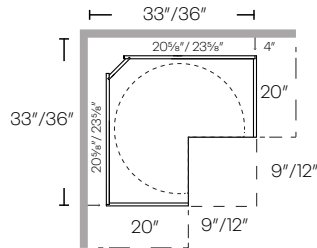
Item Number	L	Z
-------------	---	---

Carousel Corner Base Cabinet

CAR33R	1322	N/A
CAR33L	1322	N/A
CAR36R	1322	N/A
CAR36L	1322	N/A

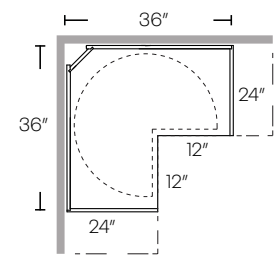
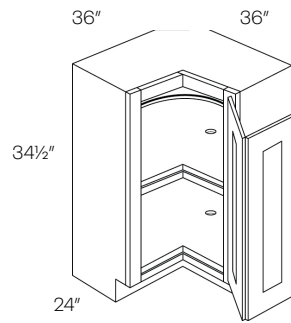


- Requires 33" x 33" / 36" x 36" wall space
- Pie cut for 33" is 9" and for 36" is 12"
- Wooden Lazy Susan



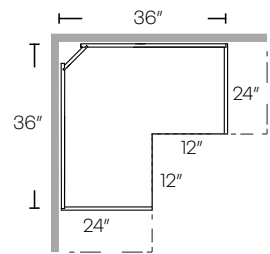
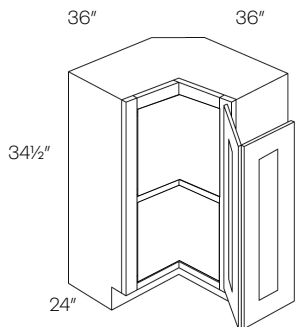
Lazy Susan

LS36R	1322	N/A
LS36L	1322	N/A



Easy Reach Corner Base Cabinet

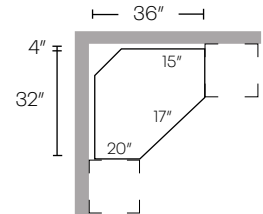
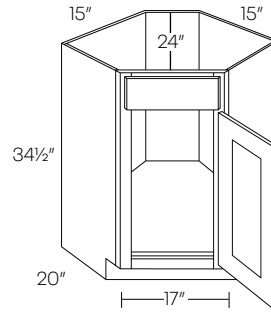
ER36R	1234	N/A
ER36L	1234	N/A



Diagonal Corner Sink Base Cabinet

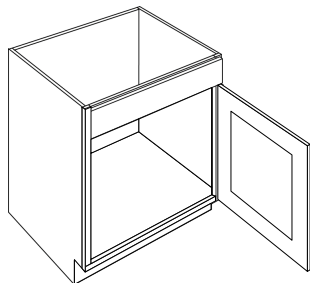
CSB36R	1234	1265
CSB36L	1234	1265

- Requires 36" x 36" wall space



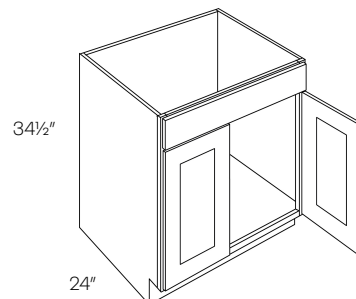
1 Drawer Front 1 Door Sink Base

SB21DL	571	585
SB21DR	571	585

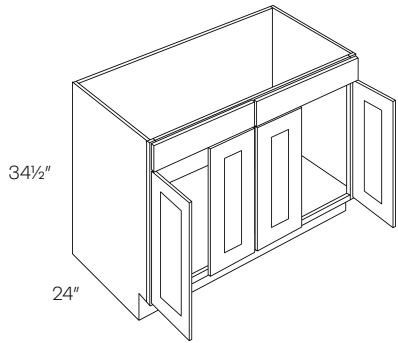


1 Drawer Front 2 Door Sink Base

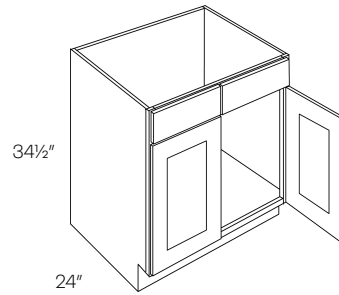
SB24	602	617
SB27	647	663



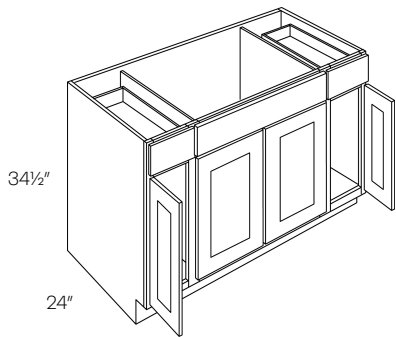
	Item Number	L	Z
2 Drawer 4 Door Sink Base Cabinet	SB48	876	898



	Item Number	L	Z
2 Drawer Front 2 Door Sink Base	SB30	685	702
	SB33	726	744
	SB36	744	763
	SB39	762	781
	SB42	779	798

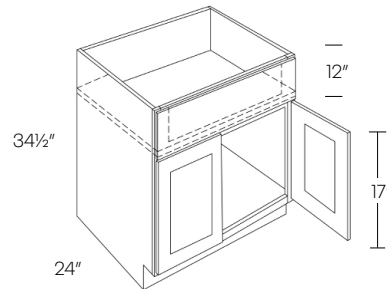


	SB54	977	1001
Combination Sink Base Cabinet	SB60	1064	1091



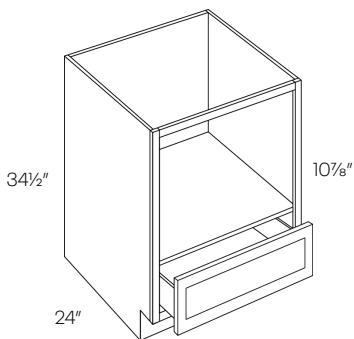
	Door	Sink	Door
SB54	12"	30"	12"
SB60	15"	30"	15"

	SB36 - FS	685	N/A
--	-----------	-----	-----



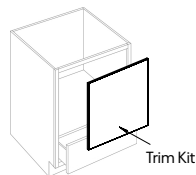
- Max trimmable 33" X 10"
- Trimming to be done in field
- Has a fixed platform

	MCB24	600	N/A
--	-------	-----	-----

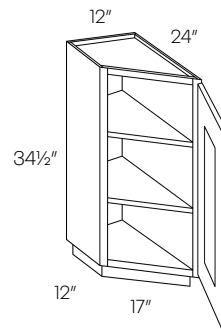


MCB24-TRM	250	N/A
MCB27	645	N/A
MCB27-TRM	275	N/A
MCB30	685	N/A
MCB30-TRM	300	N/A

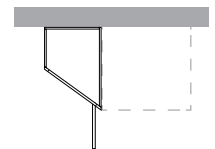
• MC front opening is 27"x16"
 *Does not have finished interior



	BTC2412	452	N/A
--	---------	-----	-----



- Reversible
- Loose toe kick
- Hinged on 24"

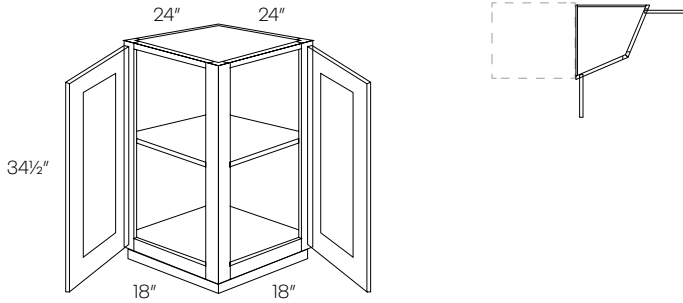


Item Number	L	Z
-------------	---	---

Item Number	L	Z
-------------	---	---

Base End Cabinet

BEC24	563	N/A
--------------	-----	-----

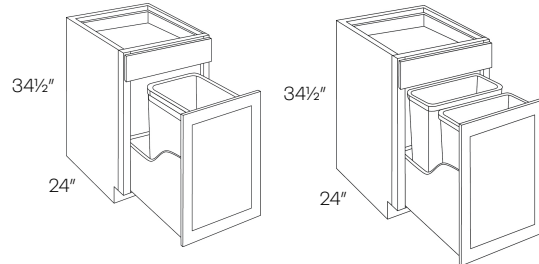


Waste Basket Cabinet

BWBK15 (1-B)	915	938
---------------------	-----	-----

BWBK18 (2-B)	1013	1038
---------------------	------	------

• Includes 35qt. waste basket (BK18 gets 2) and soft-close glides



BWBK15

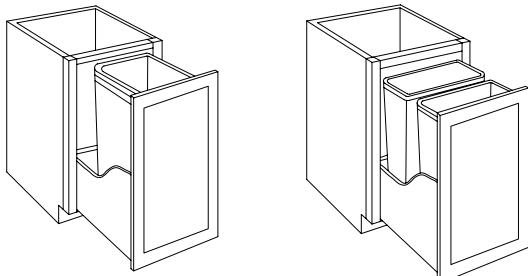
BWBK18

Full Height Waste Basket Cabinet

BWBK15-FH (1-B)	915	N/A
------------------------	-----	-----

BWBK18-FH (2-B)	1013	N/A
------------------------	------	-----

• Includes 35qt. waste basket (BK18 gets 2) and soft-close glides



BWBK15

BWBK18

Item Number	L	Z
B9-HA	396	406
B12-HA	456	467
B15-HA	477	489
B18-HA	501	514
B21-HA	571	585

1 Door Base Cabinet

•10" Deep Shelf
* Please note: Handicap Accessible cabinets may not meet ADA requirements

Item Number	L	Z
DB12-HA	705	723
DB15-HA	738	756
DB18-HA	761	780

3 Drawer Base Cabinet

* Please note: Handicap Accessible cabinets may not meet ADA requirements

Item Number	L	Z
B24-HA	639	655
B27-HA	706	724

1 Drawer 2 Door Base Cabinet

•10" Deep Shelf
* Please note: Handicap Accessible cabinets may not meet ADA requirements

Item Number	L	Z
BLB36/39-HA	814	834

Blind Base Cabinet

- Left blind shown
- Reversible Left or Right
- Must be pulled to the minimum position

* Please note: Handicap Accessible cabinets may not meet ADA requirements

	Min Pull	Max Pull	Actual	Door	Door Opening
BLB36/39	36"	39"	27"	B9	6"

Item Number	L	Z
B30-HA	769	788
B33-HA	821	842
B36-HA	861	883
B39-HA	916	939

2 Drawer 2 Door Base Cabinet

•10" Deep Shelf
* Please note: Handicap Accessible cabinets may not meet ADA requirements

Item Number	L	Z
CAR36L-HA	1322	N/A
CAR36R-HA	1322	N/A

Lazy Susan Corner Base Cabinet

- Requires 36" x 36" wall space

* Please note: Handicap Accessible cabinets may not meet ADA requirements

Item Number	L	Z
SB30-HR-INS	450	N/A
SB33-HR-INS	500	N/A
SB36-HR-INS	550	N/A

Removable Sink Insert

33 3/8"

24"

24"

5"

*HR=Handicap Removable
* Please note: Handicap Removable cabinets may not meet ADA requirements

Side profile

Keku clip attachment

*edgebanded front

Item Number	L	Z
V1816-HA	300	308

1 Door Vanity Sink Base Cabinet

32 1/2"

16"

*Available in White only
*HA=Handicap Accessible
* Please note: Handicap Accessible cabinets may not meet ADA requirements

SB30-HR	1070	1108
SB33-HR	1081	1108
SB36-HR	1103	1131

2 Door Removable Sink Base Cabinet

32 1/2"

24"

23"

6"

20 1/4"

*HR=Handicap Removable
* Please note: Handicap Accessible cabinets may not meet ADA requirements

23"

5"

6"

24"

6"

Keku clip attachment

*edgebanded front

V21-HA*	377	396
V2418-HA	390	400
V24-HA	400	410
V30-HA	516	529
V36-HA	623	639

2 Door Vanity Sink Base Cabinet

32 1/2"

21"

6"

20 1/4"

*V21-HA & V2418-HA available in White only
*HA=Handicap Accessible
* Please note: Handicap Accessible cabinets may not meet ADA requirements

V30-HR	700	718
V33-HR	876	898
V36-HR	926	949

Removable Vanity Base

32 1/2"

21"

20"

6"

20 1/4"

*HR=Handicap Removable
* Please note: Handicap Accessible cabinets may not meet ADA requirements

20"

5"

24"

*edgebanded front

VDB12-HA	680	697
VDB15-HA	719	737
VDB18-HA	735	753

Vanity Drawer Base Cabinet - Handicap Accessible

32 1/2"

21"

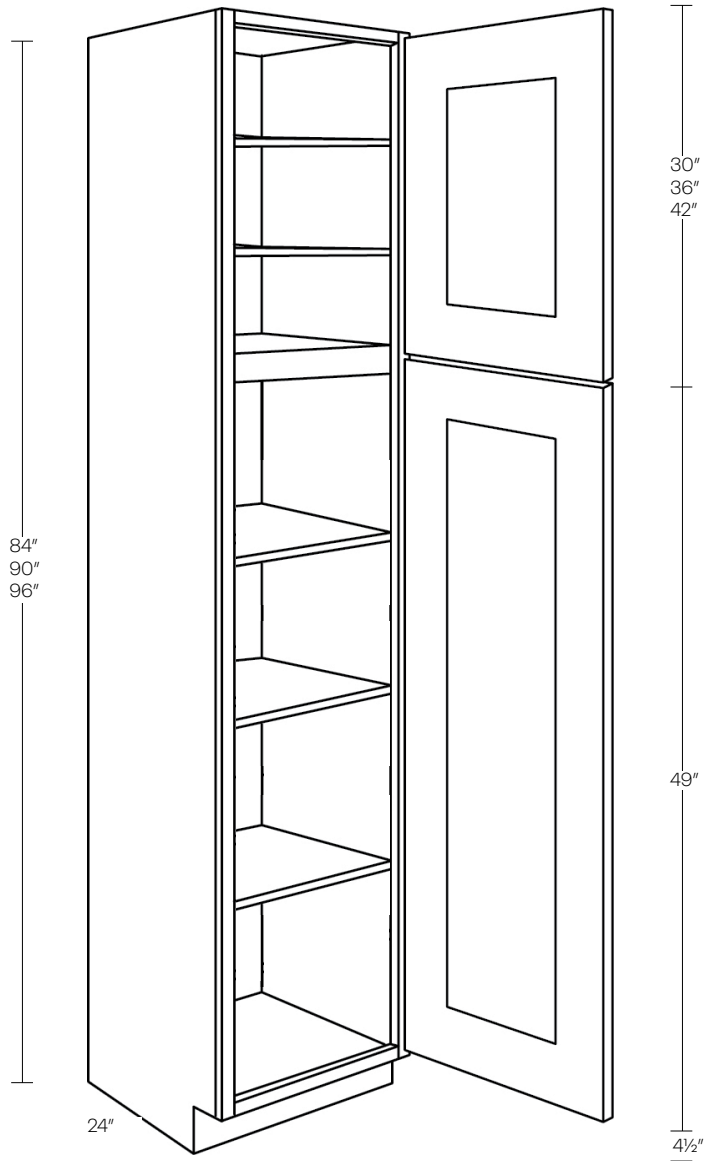
6"

9 7/8"

9 7/8"

*HA=Handicap Accessible
* Please note: Handicap Accessible cabinets may not meet ADA requirements

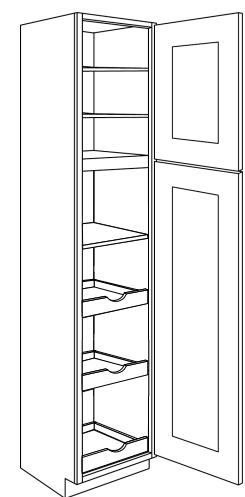
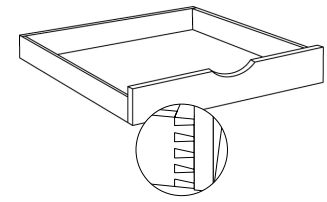
Single Door Utility Cabinet



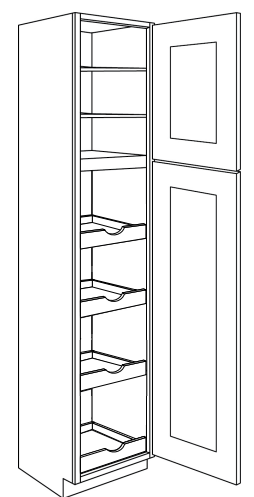
Item Number	L
UC1821X84	1521
UC1824X84	1521
UC1824X90	1734
UC1824X96*	1979
POS15-3 (factory installed)	954
POS15-4 (factory installed)	1198
POS18-3 (factory installed)	954
POS18-4 (factory installed)	1198

- 3 bottom adjustable shelves
- 84" and 90" have 2 upper shelves
- 96" has 3 upper shelves

Pull Out Shelf

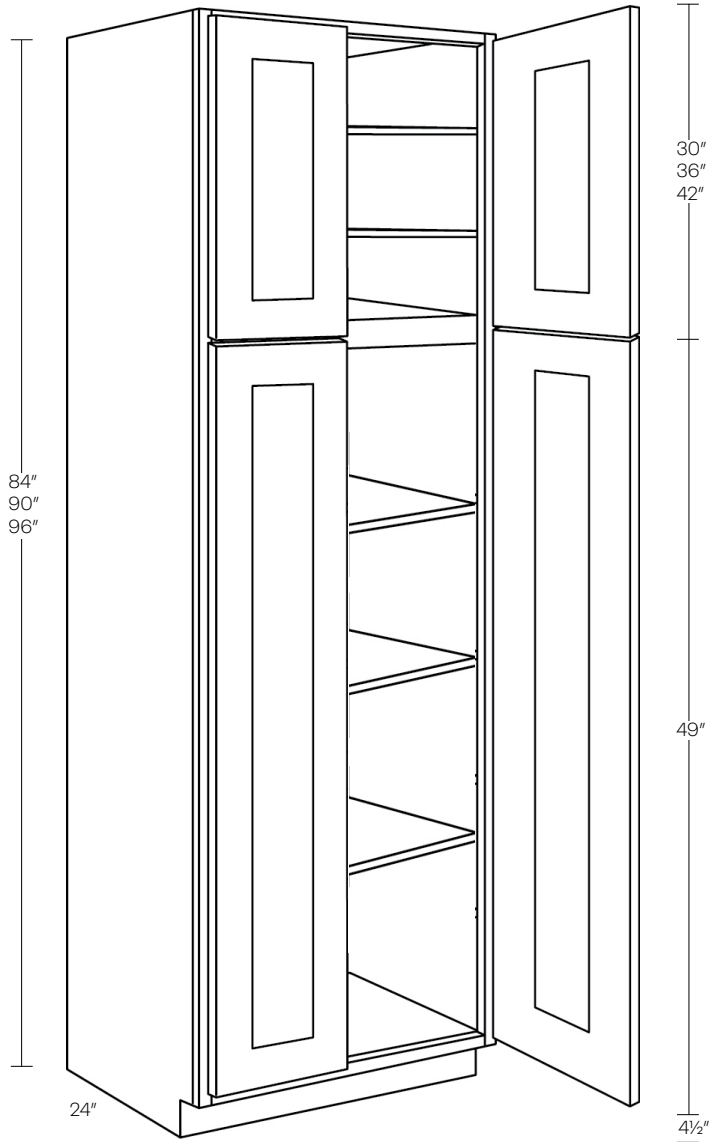


POS-3



POS-4

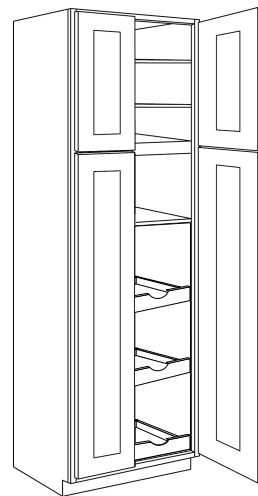
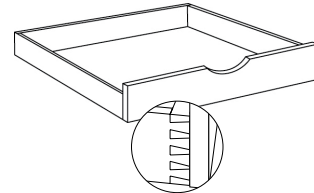
Double Door Utility Cabinet



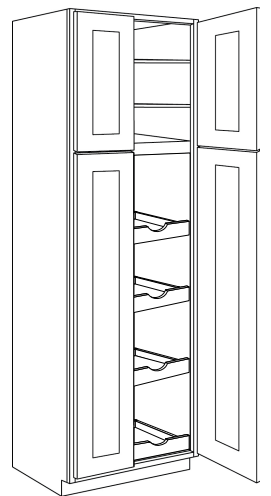
Item Number	L
UC2424X84	1752
UC2424X90	2000
UC2424X96*	2212
UC3024X84	1840
UC3024X90	2100
UC3024X96*	2323
POS24-3 (factory installed)	1088
POS24-4 (factory installed)	1377
POS30-3 (factory installed)	1100
POS30-4 (factory installed)	1389

- 3 bottom adjustable shelves
- 84" and 90" have 2 upper shelves
- 96" has 3 upper shelves

Pull Out Shelf



POS-3



POS-4

Double Door Oven Cabinet

Item Number

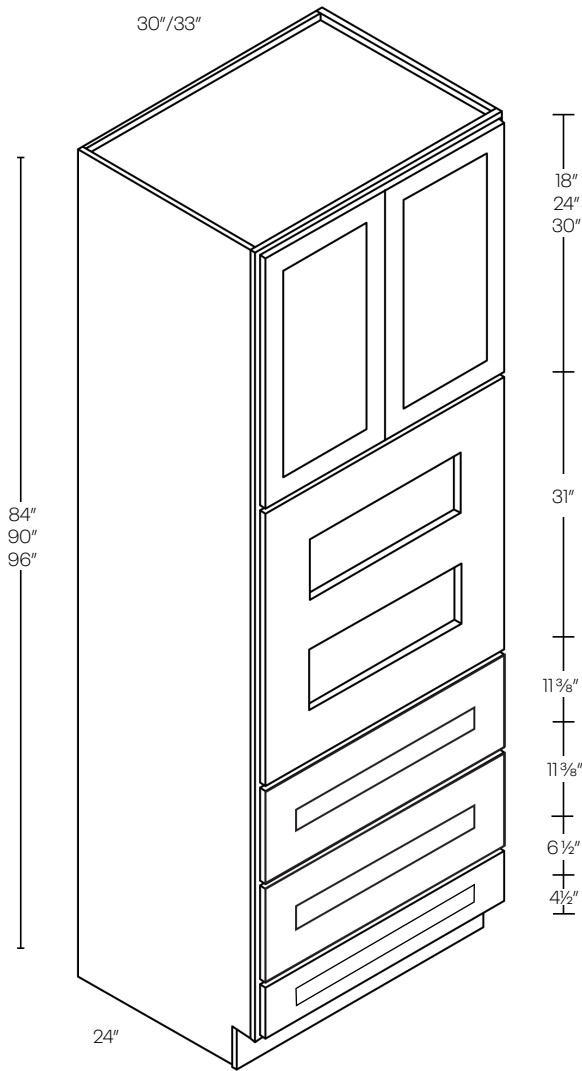
L

Z

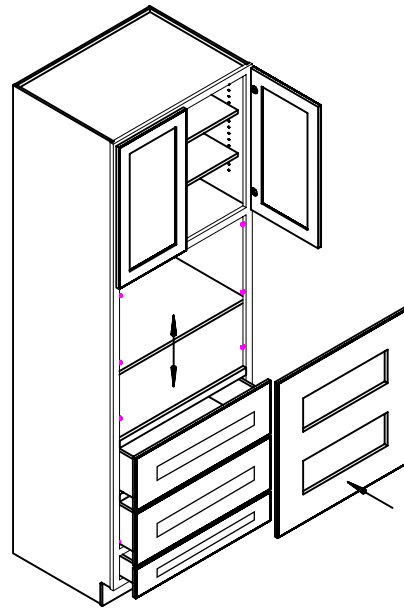
OV3084	1654	N/A
OV3090	1904	N/A
OV3096*	2153	N/A
OV3384	1690	N/A
OV3390	1942	N/A
OV3396	2189	N/A
OV30-TRM	350	N/A
OV33-TRM*	370	N/A

- For double ovens, remove drawer floor as needed
- Trim kit is 3/4" thick and includes solid edgeband
- 84" and 90" has 1 upper shelf
- 96" has 2 upper shelves

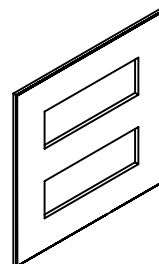
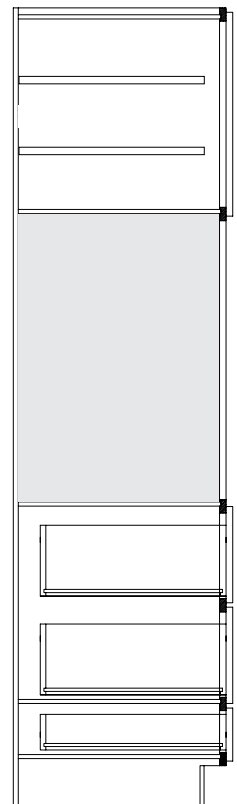
Side - Field Modified
*for double oven, remove fixed shelf and bottom two 12" drawers in field



Assembly

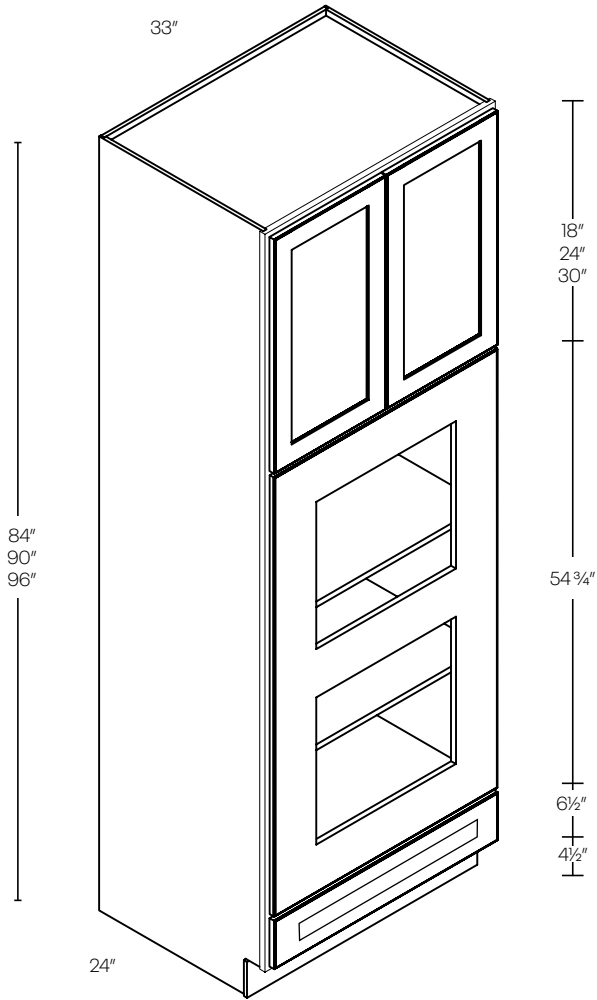


Side



OV30-TRM/OV33-TRM

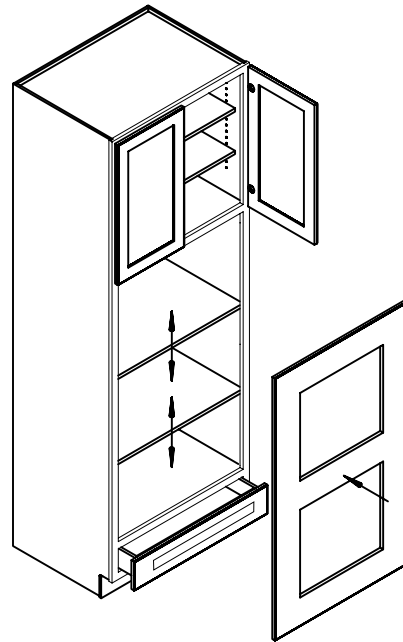
Double Oven Cabinet



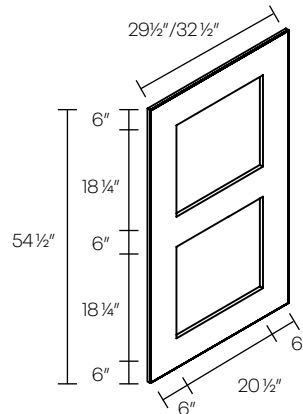
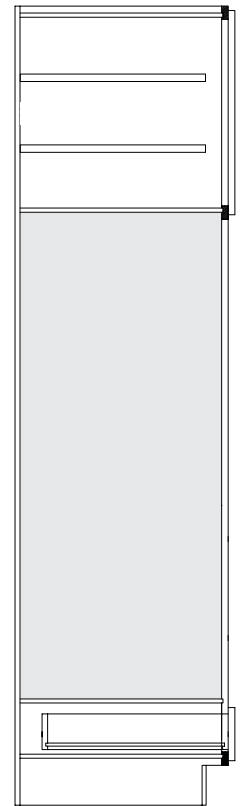
Item Number	L	Z
OVD3084	1594	N/A
OVD3090	1841	N/A
OVD3096*	2091	N/A
OVD30-TRM	500	N/A
OVD3384	1690	N/A
OVD3390	1942	N/A
OVD3396*	2198	N/A
OVD33-TRM	540	N/A

- 84" and 90" has 1 upper shelf
- 96" has 2 upper shelves

Assembly

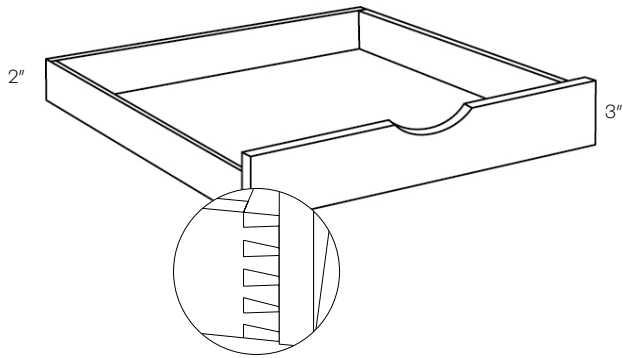


Side



OVD30-TRM/OVD33-TRM

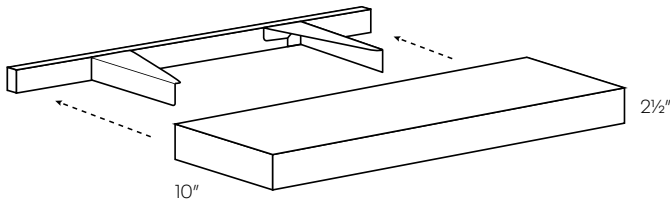
Pull Out Shelf



Item Number	L
POS12	198
POS15	207
POS18	228
POS21	240
POS24	271
POS27	282
POS30	294
POS33	307
POS36	329
POS42	345

- Natural finish
- Ball bearing soft-close glides included
- POS uses dovetail construction

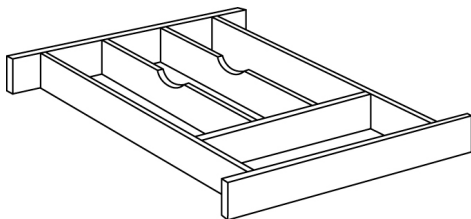
Floating Shelves



F-SHELF-24	483
F-SHELF-30	576
F-SHELF-36	668
F-SHELF-42	760

- Mounting hardware included

Wooden Cutlery Divider

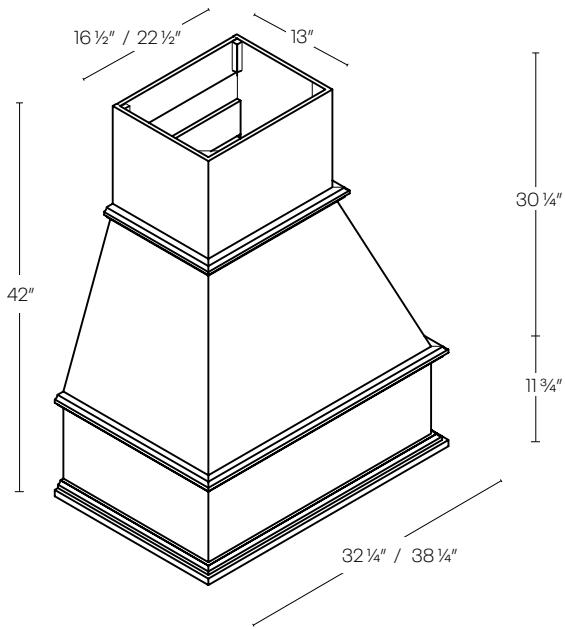


WCD-14	202
WCD-16	215
WCD-25	223
WCD-7	242

- To be trimmed on site
- * Need to buy 2 pieces

WCD-14	B33*, B39*, BLB48/51
WCD-16	B15, B18, B21, B36*
WCD-25	B24, B27, DB30
WCD-7	B12, BLB39/42

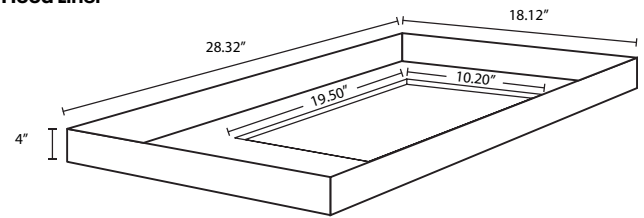
Traditional Wood Hood



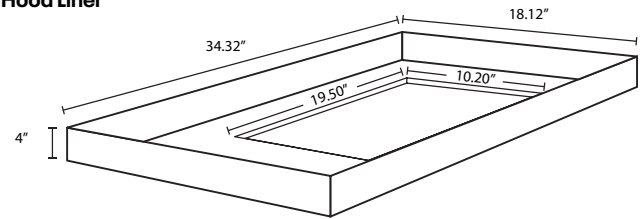
Item Number	L
WHT30	2500
WHT36	3000

•Metal Liners Included

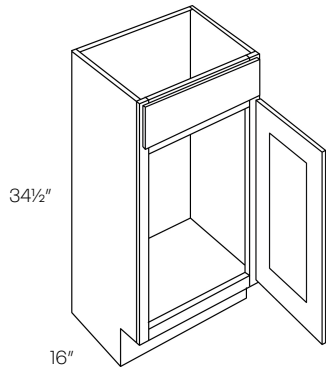
30" Hood Liner



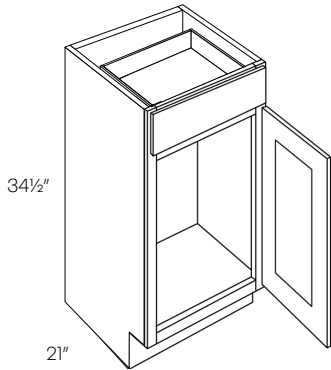
36" Hood Liner



	Item Number	L	Z
1 Door Vanity Sink Base Cabinet	V1816	307	315

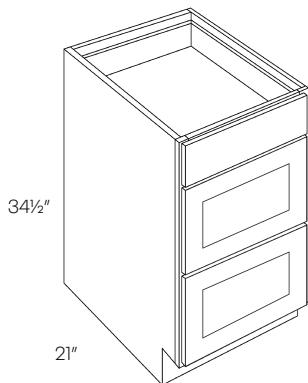


1 Door Vanity Base Cabinet	VB12	437	448
	VB15	458	469
	VB18	480	492

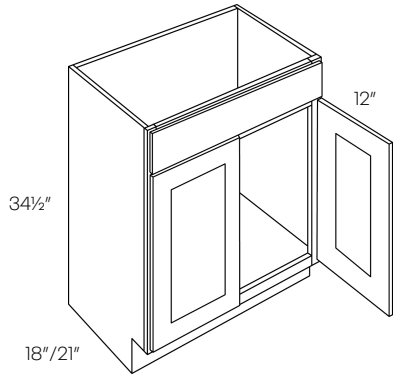


• Cabinet has a shelf

Vanity Drawer Base Cabinet	VDB12	699	716
	VDB15	741	760
	VDB18	759	778
	VDB21	772	791
	VDB24	796	816

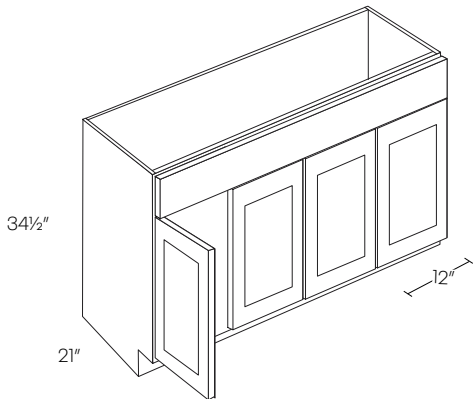


2 Door Vanity Sink Base Cabinet



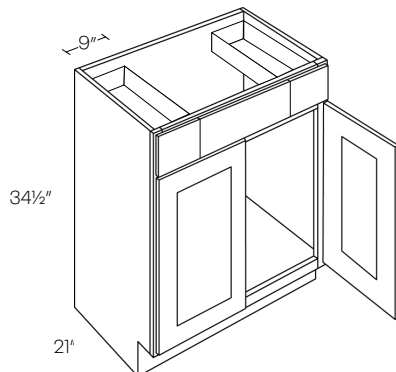
Item Number	L	Z
V2418	394	404
V3018	501	514
V24	427	438
V27	472	484
V30	532	545
V33	588	603
V36	643	659
V42	746	765

4 Door Vanity Sink Base Cabinet



V48	895	917
-----	-----	-----

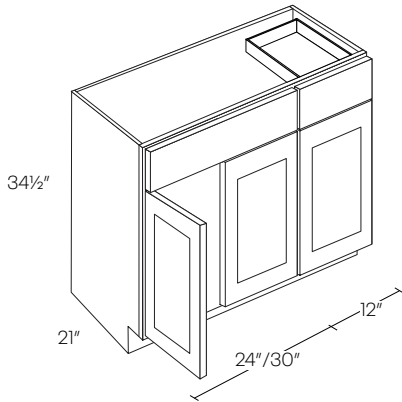
2 Drawer Vanity Sink Base Cabinet



VSB36	784	804
VSB42	840	861

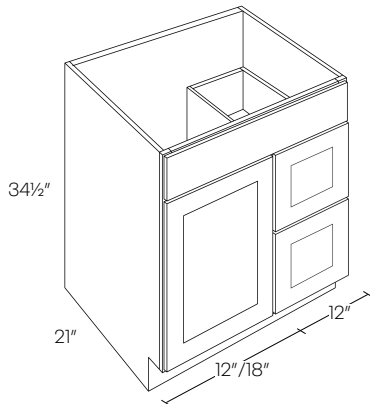
• Top side drawers are 9"

	Item Number	L	Z
3 Door Vanity Base Cabinet	VB36	947	971
	VB42	958	982



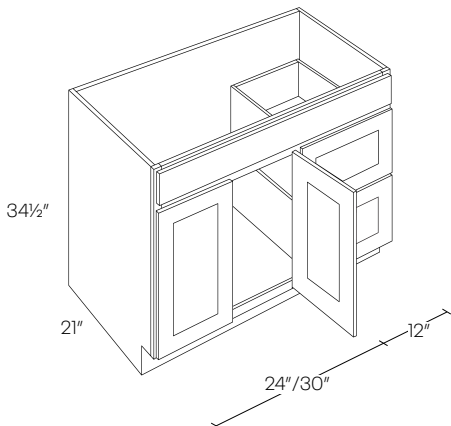
• Drawer on right side only

1 Door 2 Drawer Vanity Sink Base Cabinet	V24DL	640	656
	V24DR	640	656
	V30DL	884	906
	V30DR	884	906



• DR shown in picture

2 Door 2 Drawer Vanity Sink Base Cabinet	V36DL	952	976
	V36DR	952	976
	V42DL	966	990
	V42DR	966	990

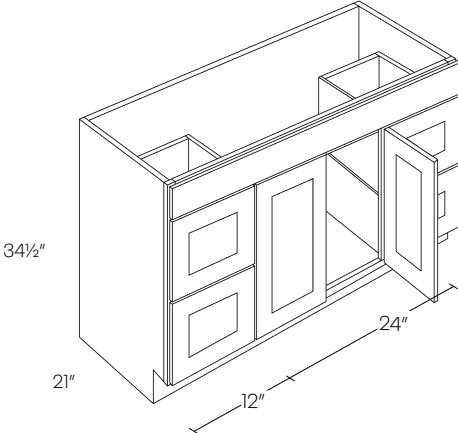


• DR shown in picture

Item Number	L	Z
-------------	---	---

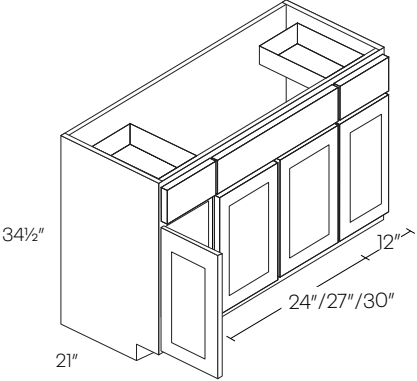
2 Door 4 Drawer Vanity Sink Base Cabinet

V48DD	1104	1132
--------------	------	------



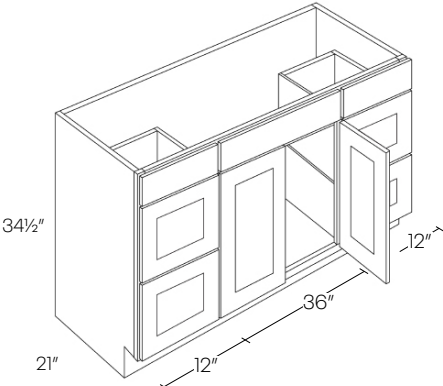
4 Door Vanity Base Cabinet

VB48	1092	1119
VB54	1150	1179
VB60	1203	1233

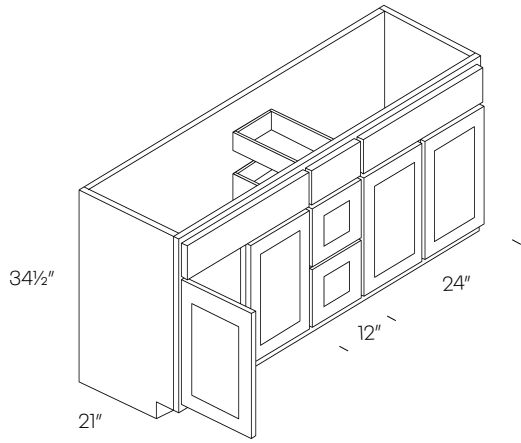


Vanity Drawer Base Cabinet

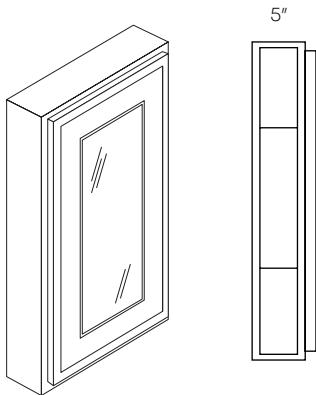
V60DD	1340	1374
--------------	------	------



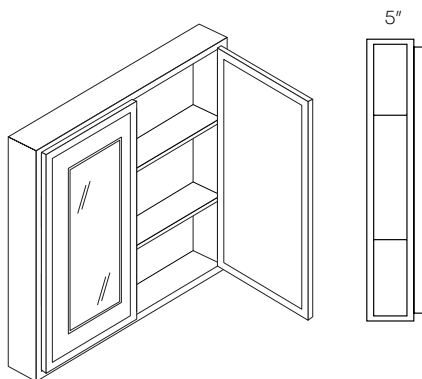
	Item Number	L	Z
Vanity Drawer Base Cabinet	VSD60	1276	1308



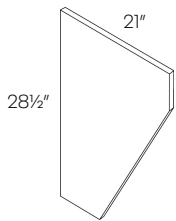
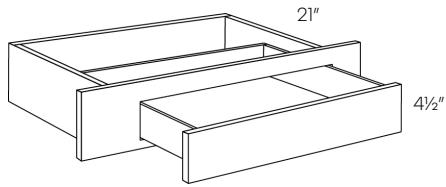
Single Door Medicine Cabinet	MC1830	294	N/A
-------------------------------------	---------------	-----	-----



Double Door Medicine Cabinet	MC2430	527	N/A
	MC3030	586	N/A
	MC3630	661	N/A

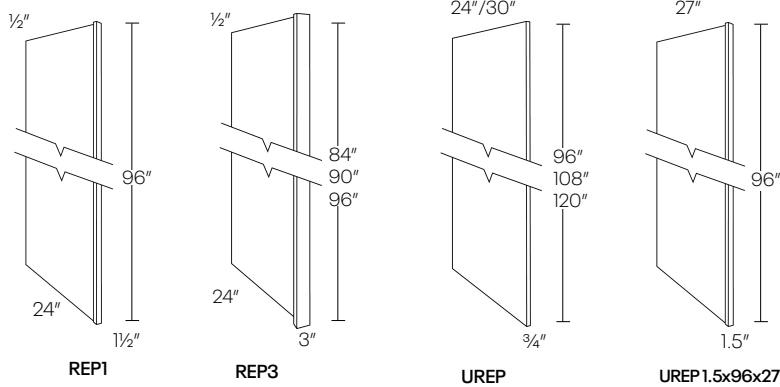


Desk Drawer	Item Number	L	Z
	DD30	319	N/A
DS	203	N/A	

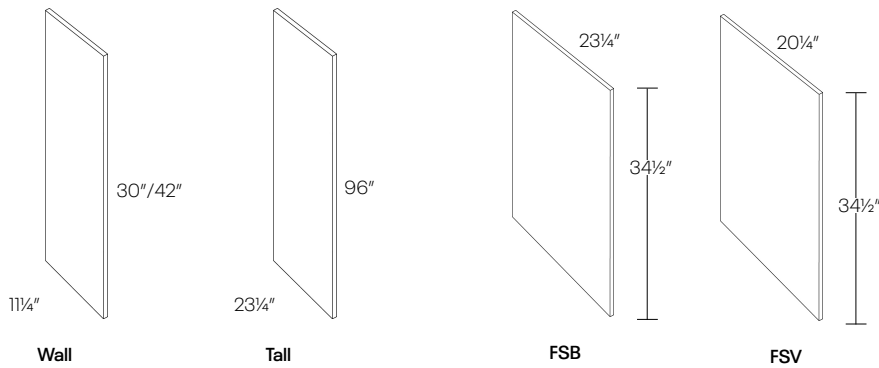


- DS is 21"
- 2 1/2" trimmable sides
- Drawer front is 22 1/2" wide
- Slab drawer front

	Item Number	L
Refrigerator End Panel	REP196	518
	REP384	470
	REP390	494
	REP396	518
	UREP24	361
	UREP30	480
	UREP24-9	406
	UREP30-9	540
	UREP24-10	457
	UREP30-10	608
UREP1.5x96x27	540	

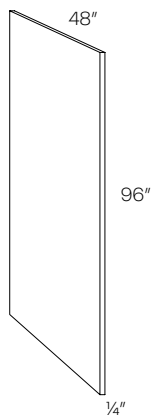


Finished Skin	FS30	107
	FS42	149
	FS9624	283
	FSB	139
	FSV	139



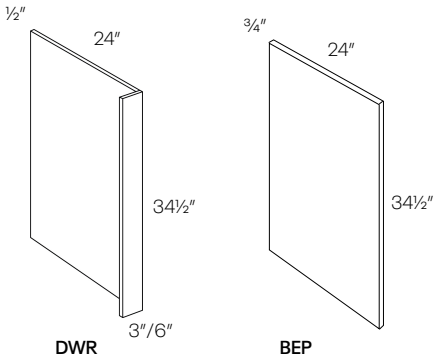
• 1/4" Thick

Plywood Panel	PLY4X8	410
----------------------	--------	-----



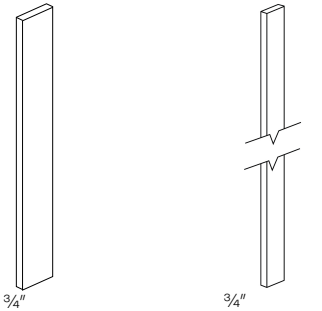
Item Number L

Base End Panel



DWR1	236
DWR3	272
DWR6	302
BEP	238

Fillers



F330	52
F630	89
F342	68
F642	120
F396	160
F696	265

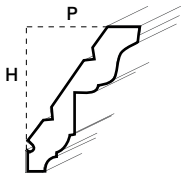
• Fillers finished on all 4 sides

F330/F630/F342/F642

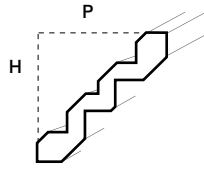
F396/F696

Item Number	L
-------------	---

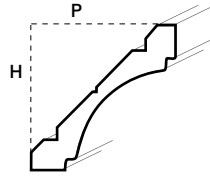
Royal Crown Molding



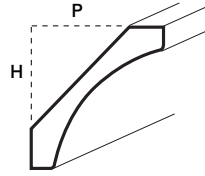
RCRM
Height: 3/2"
Projection: 2 1/2"



RCRMS
Height: 3/8"
Projection: 3/8"



RCRMC
Height: 3/8"
Projection: 3/8"

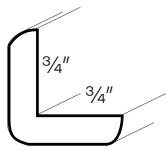


RCRMR
Height: 3 1/4"
Projection: 3 1/4"

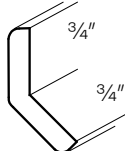
RCRM	397
RCRMS	397
RCRMC	397
RCRMR	397

• 8 feet long

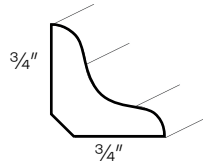
Corner Molding



OCM



OCM135

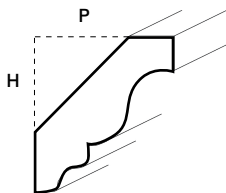


ICM

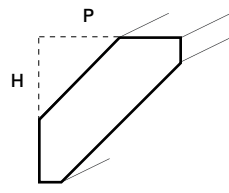
OCM	107
OCM135	107
ICM	107

• 8 feet long

Crown Molding



CRM
Height: 2"
Projection: 2"



CRMS
Height: 2"
Projection: 2"

CRM	141
CRMS	141

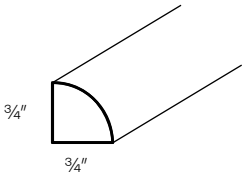
• 8 feet long

Item Number L

Shoe Molding

SHM 119

• 8 feet long

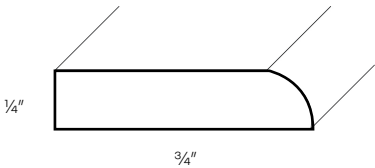


Scribe / Batten Molding

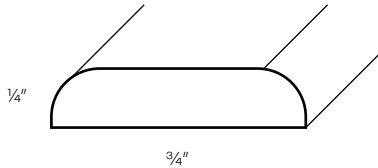
SCM 87

BAT 87

• 8 feet long



SCM



BAT

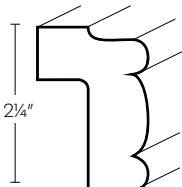
Light Rail Molding

LTRM 275

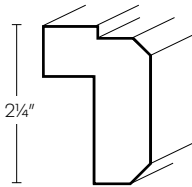
LTRMS 275

LTRMI 207

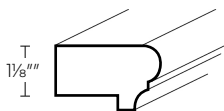
• 8 Feet long



LTRM



LTRMS

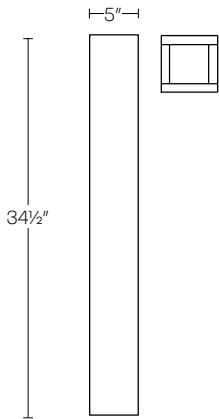


LTRMI

Item Number L

Large Post

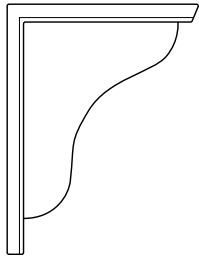
POST5-C 887



Corbel

CBS6 100

CBS10 139



	W	D	H
CBS6	3"	3 1/2"	6 1/2"
CBS10	3"	7 1/2"	10 1/2"

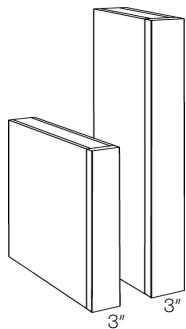
Column

CLM-B30 (34 1/2"H X 30"D) 451

CLM-30X15 (30"H X 15"D) 228

CLM-36X15 (36"H X 15"D) 255

CLM-42X15 (42"H X 15"D) 283



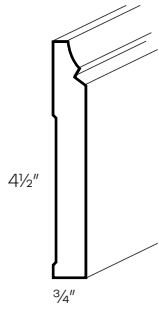
- Depth is Trimmable
- Finished 3 sides

Item Number L

Base Molding

BSMS 283

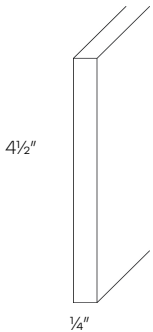
• 8 feet long



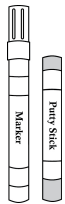
Toe Kick

TKS 89

• 8 feet long



Touch Up Kit / Stain



TUP



TUP-PINT



CHW-UNI-AEROSOL-SPRAY

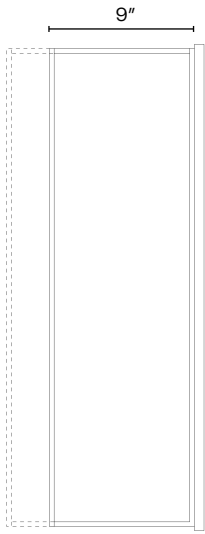
TUP	100
TUP-PINT	118
CHW-LUX-CARE	15
CHW-UNI-AEROSOL-SPRAY	100

• TUP-PINT is one pint available in all finishes
 *Must purchase TUP-PINT with Aerosol Spray

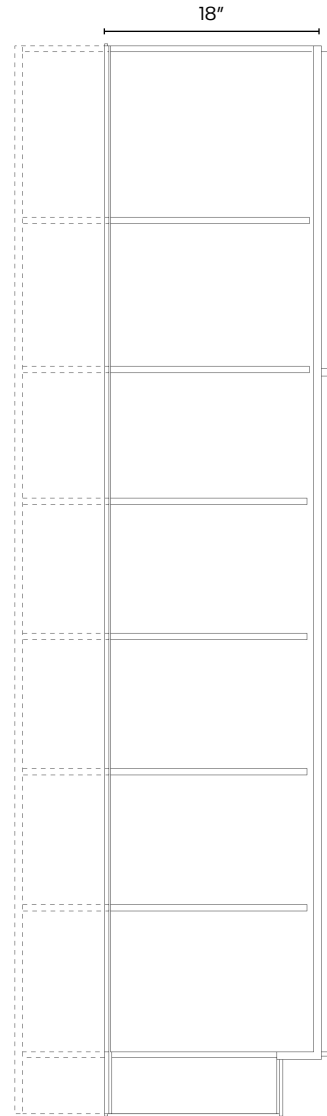
Modifications & Upgrades



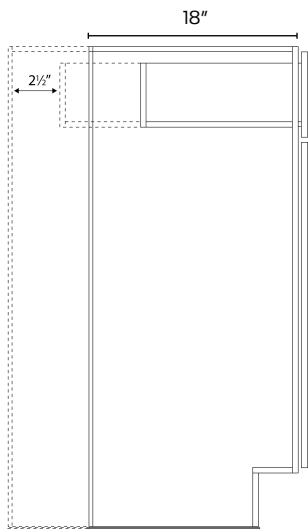
Luxor Collection



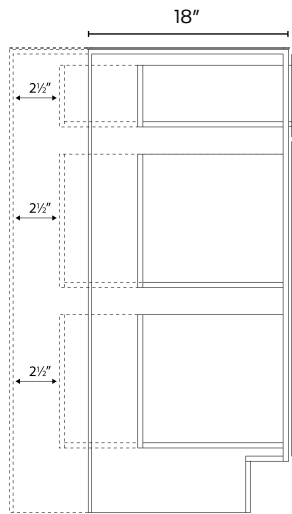
Wall Cabinet



Tall Cabinet



Base Cabinet

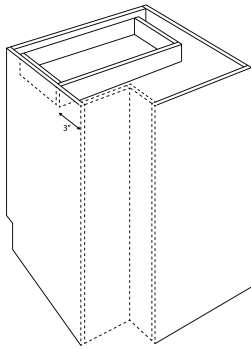


Drawer Base Cabinet

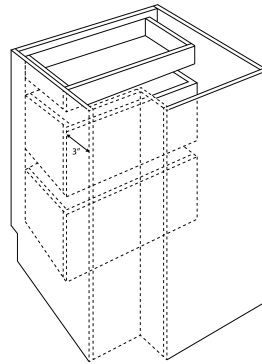
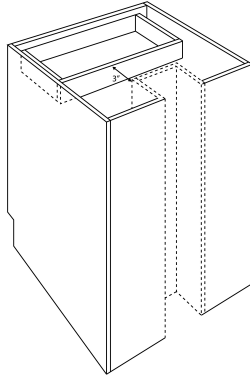
*Dovetail not in back

Cut Down Depth	Description	List Price
CT-BCUT*	Base cabinet, cut down depth	400
CT-DBCUT*	Drawer base cabinet, cut down depth	500
CT-TCUT*	Tall cabinet, cut down depth	500
CT-WCUT**	Wall cabinet, cut down depth	400

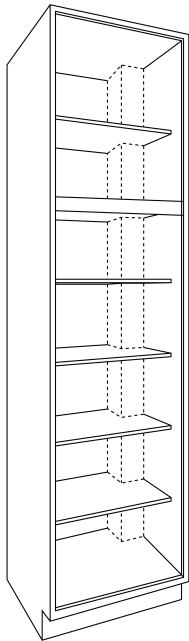
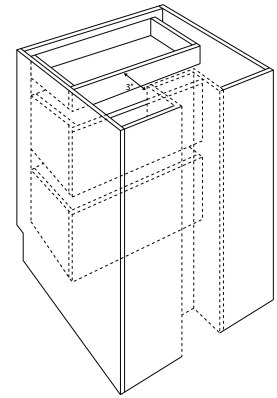
*Can be cut down to 9", 12", 15", 18" & 21" | **Can be cut down to 6", 9" & 11"
 *All 9" Base Cabinets will have a dummy drawer front



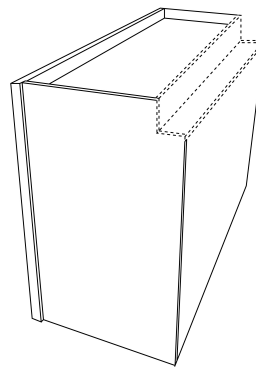
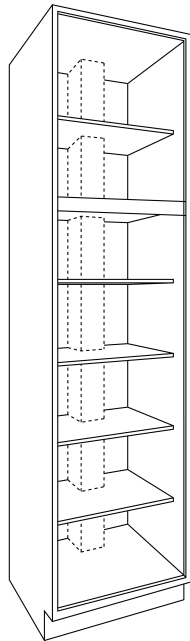
Base Cabinet



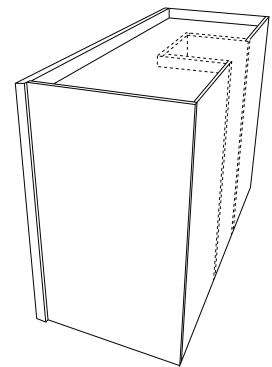
Drawer Base Cabinet



Tall Cabinet



Wall Cabinet



Chase Cuts

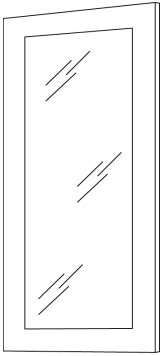
Chase Cuts	Description	List Price
CT-BCHASE	Base cabinet, chase cut	700
CT-DBCHASE	Drawer base cabinet, chase cut	900
CT-TCHASE	Tall cabinet, chase cut	900
CT-WCHASE	Wall cabinet, chase cut	600

•Non-stock cabinets, parts including doors and drawers, custom modifications, wood hoods and countertops (post form and self-edge) are not returnable.

•Must provide accurate drawings with your order

Item	Description	List Price
CT-DCG	Door cut for glass	205
CT-DCG-GLI	Door cut and insert glass	381
CT-DCG-GLI-F	Door cut and insert frosted glass	576
CT-GLI	Glass Insert	197
CT-GLI-F	Frosted glass insert	392

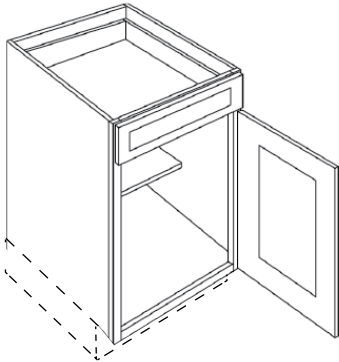
Door cut for glass



- Only Wall Cabinets can be cut for glass
- Loose glass not for sale
- *Per door cost shown above

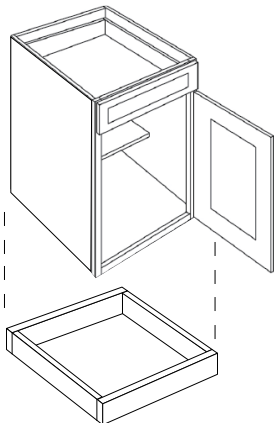
Remove Toe Kick

CT-HANDICUT	Base cabinet, cut off toe kick	116
--------------------	--------------------------------	-----



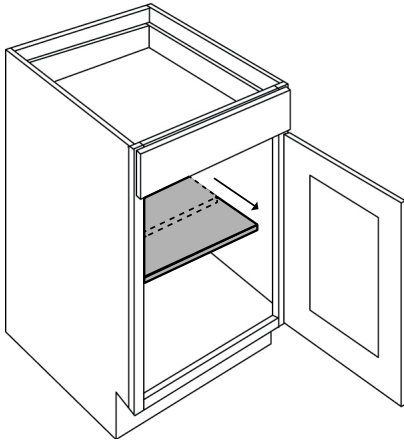
Cut and Send Toe Kick

CT-HANDICUTSHIP	Base cabinet, cut off toe kick and ship	200
------------------------	---	-----



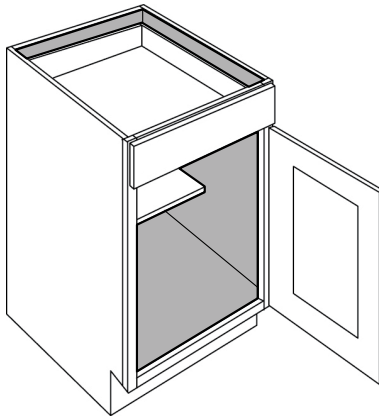
Item	Description	List Price
------	-------------	------------

Luxor Full Depth Shelf



CT-SHELF-FD-B9	Full Depth Shelf	7
CT-SHELF-FD-B12	Full Depth Shelf	9
CT-SHELF-FD-B15	Full Depth Shelf	11
CT-SHELF-FD-B18	Full Depth Shelf	14
CT-SHELF-FD-B21	Full Depth Shelf	15
CT-SHELF-FD-B24	Full Depth Shelf	17
CT-SHELF-FD-B30	Full Depth Shelf	23
CT-SHELF-FD-B33	Full Depth Shelf	27
CT-SHELF-FD-B36	Full Depth Shelf	27
CT-SHELF-FD-B39	Full Depth Shelf	34
CT-SHELF-FD-B42	Full Depth Shelf	34
CT-SHELF-FD-B48	Full Depth Shelf	34

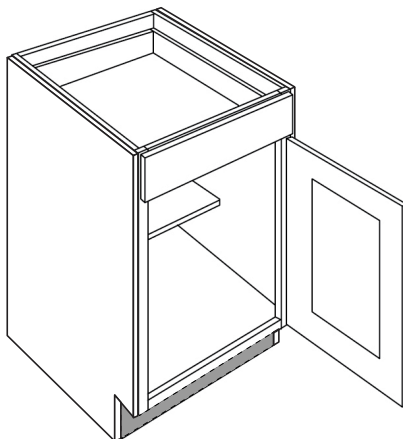
Finished Interior



CT-FINISH-B	Finished Interior - Base Cabinet	450
CT-FINISH-W	Finished Interior - Wall Cabinet	450
CT-FINISH-T	Finished Interior - Tall Cabinet	800

- Drawers will not be finished

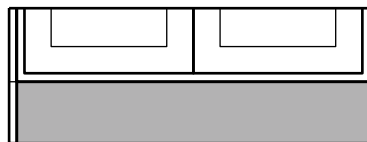
Recessed Toe Kick



CT-TK-REDUCE	Recessed Toe Kick	800
--------------	-------------------	-----

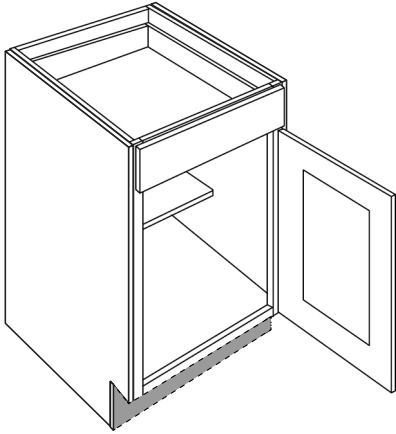
- Must specify front, left, right dimensions

Front View - Toe Kick

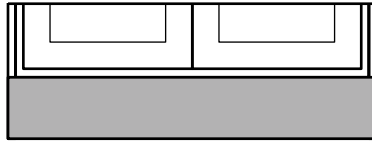


Item	Description	List Price
CT-TKFLUSH	Flush Toe Kick	600

Flush Toe Kick

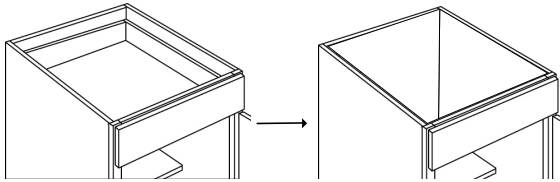


Front View - Toe Kick



Base Cabinet to Sink Base

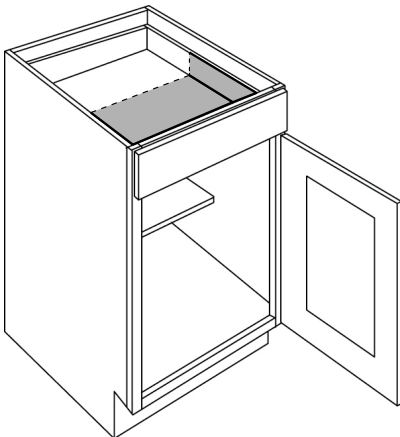
CHARGE-SINK BASE	Base to Sink Base	210
-------------------------	-------------------	-----



Reduced Top Drawer

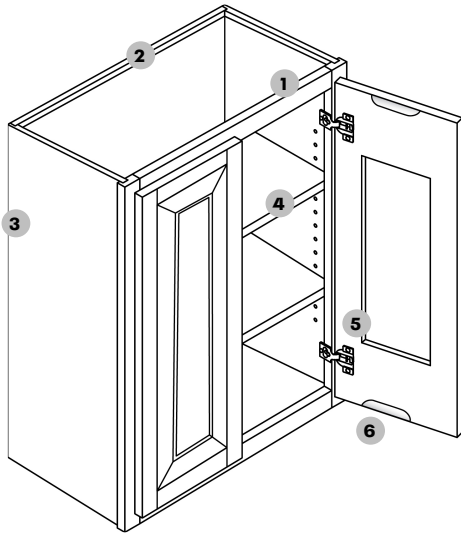
CT-TD-REDUCE	Reduce Depth of Top Drawer	120
---------------------	----------------------------	-----

- Can be cut down to 9", 12", 15", 18" & 21"

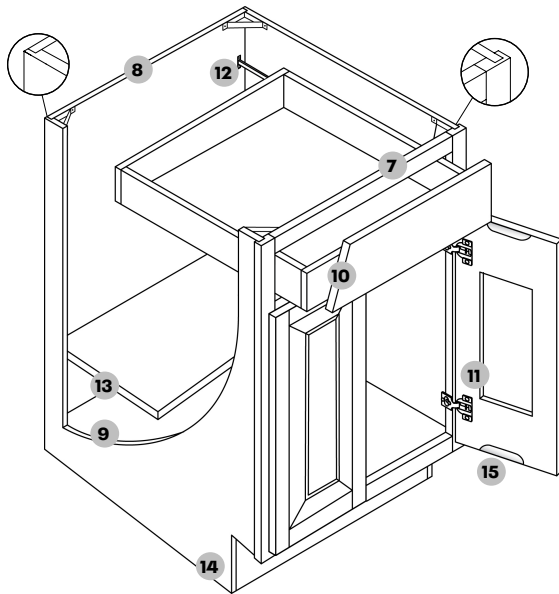


Cabinet & Door Information

Country Collection



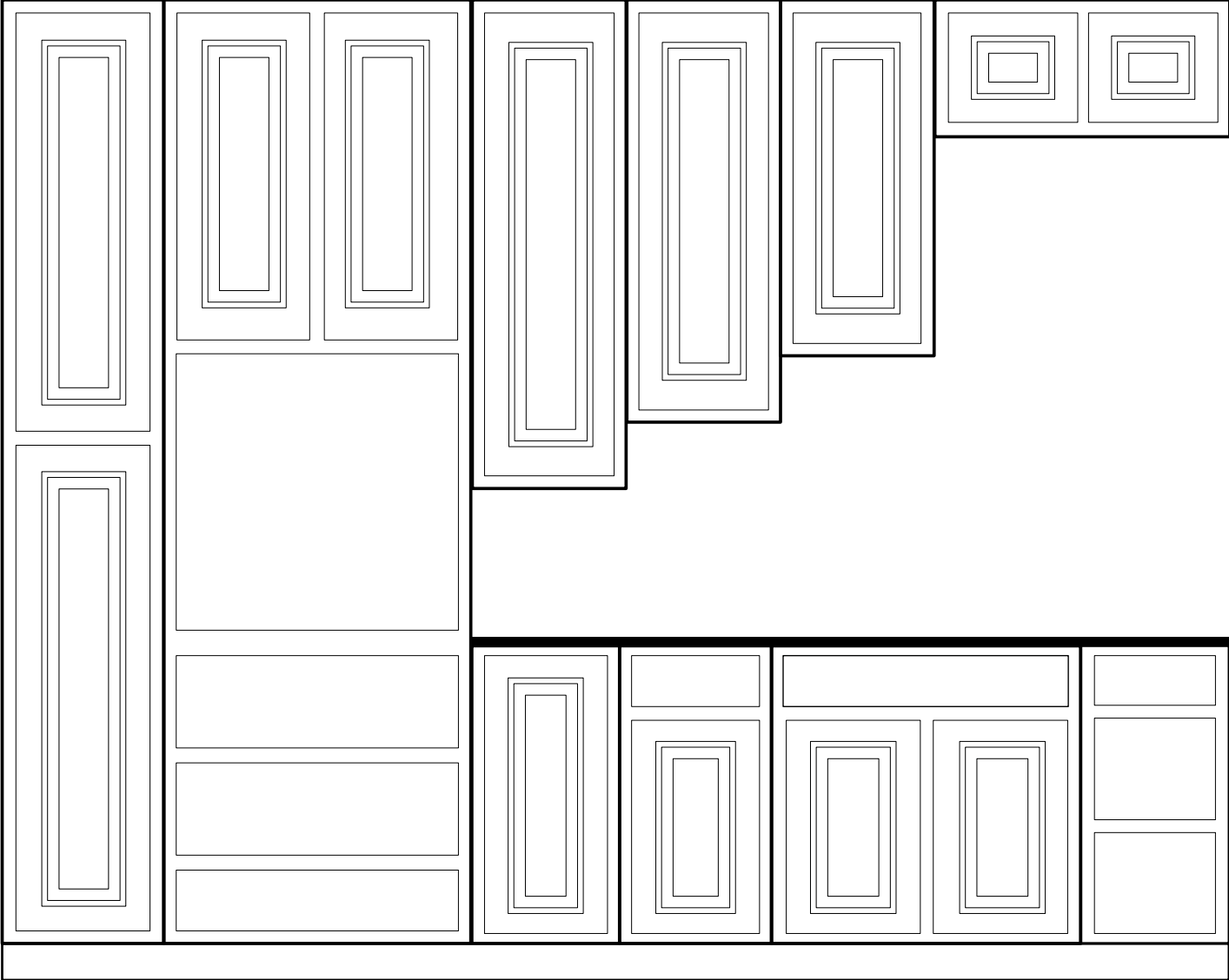
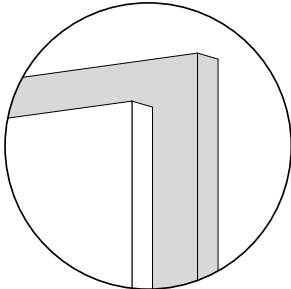
- 1 **Frame** — ¾" thick, 1½" wide, kiln-dried solid hardwood. Assembled with glue and nails, under clamp pressure, which ensures squareness.
- 2 **Back panel** — ½" substrate, with 3" plywood surrounding frame, made of 1/2" plywood. Rabbeted and stapled into cabinet sides, screwed into top and bottom. Includes 1½" hanging rails.
- 3 **End panel** — Top and bottom 1/2" plywood substrate, with light maple woodgrain laminate finish.
- 4 **Shelves** — ¾" thick, plywood; fully adjustable
- 5 **Hinges** — Heavy duty steel concealed adjustable hinge.
- 6 **Doors** — Finger pull groove for easy access



- 7 **Base frame** — ¾" thick, 1½" wide, kiln-dried solid hardwood. Assembled with glue and nails, under clamp pressure, which ensures squareness.
- 8 **Back panel** — ½" substrate plywood material. Rabbeted and stapled into cabinet sides, screwed into top and bottom.
- 9 **End panel** — ½" plywood substrate, with light maple woodgrain laminate interior finish.
- 10 **Drawers** — ½" Plywood sides with ⅜" thick bottom fastened with screws
- 11 **Hinges** — Heavy duty steel concealed adjustable hinge.
- 12 **Glides** — High quality epoxy coated steel side mounted glides.
- 13 **Shelves** — ¾" thick, plywood; fully adjustable. (10" deep)
- 14 **Toe kick** — 4½" Toe kick with 2½" inset on all standard base and vanity cabinets.
- 15 **Doors** — Finger pull groove for easy access

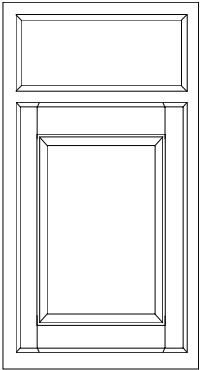
Standard Overlay

1" Reveal



4 1/2"
Toe Kick

Country Oak



A standard 1" reveal, 5 piece solid wood with a raised MDF veneer center panel Mortise and Tenon construction, slab drawer front. solid wood in a Honey finish.

Finish	Price Code (Slab)
C4 - Honey (Stain)	R

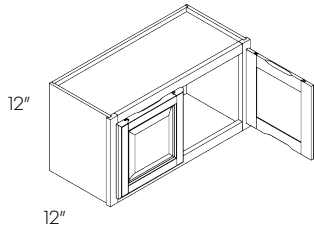
Specifications & Pricing



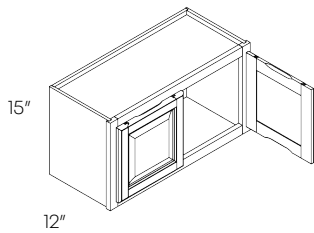
Country Collection

	Item Number	R
12" High Wall Cabinet	3012	323
	3312	334
	3612	362

• No Shelf

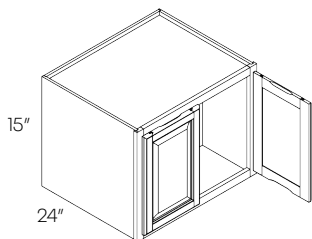


15" High Wall Cabinet	2415	320
	3015	329
	3315	344
	3615	362

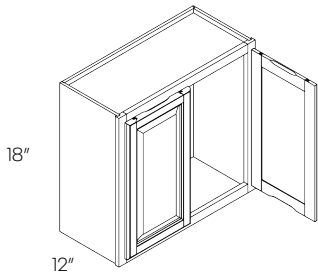


15" High, 24" Deep Wall Cabinet	3015X24	441
	3615X24	491

• No Shelf
*Has one shelf

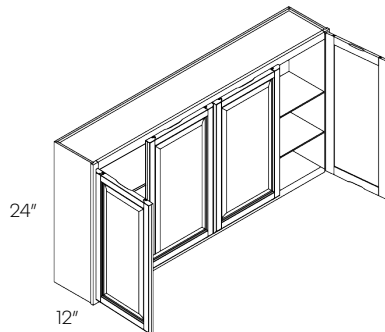
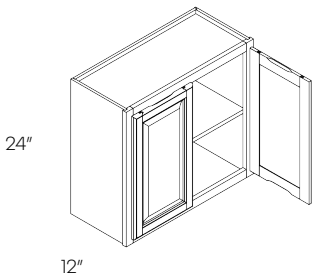


	Item Number	R
18" High Wall Cabinet	2118 (1 Door)	302
	2418	320
	3018	332
	3318	360
	3618	414



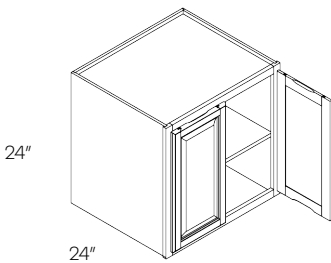
• No Shelf

24" High Wall Cabinet	1824 (1 Door)	342
	2424	452
	2724	458
	3024	471
	3324	488
	3624	523
	4224	623
	4824 (4 Doors)	696

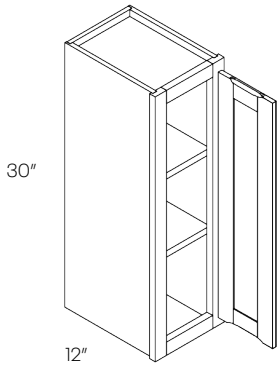


4824

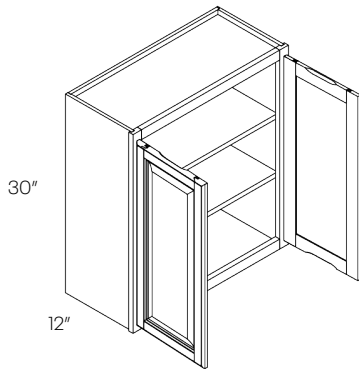
24" High, 24" Deep Wall Cabinet	3024X24	613
	3624X24	708



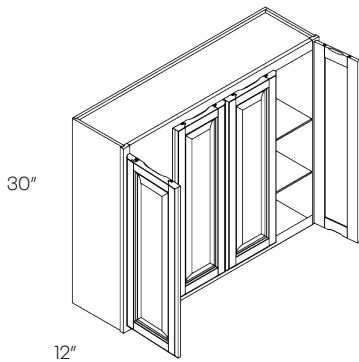
	Item Number	R
30" High 1 Door Wall Cabinet	930	260
	1230	289
	1530	312
	1830	351
	2130	419



30" High 2 Door Wall Cabinet	2430	447
	2730	493
	3030	504
	3330	549
	3630	584
	3930	632
	4230	670



30" High 4 Door Wall Cabinet	4830	759
	5430	849



Item Number

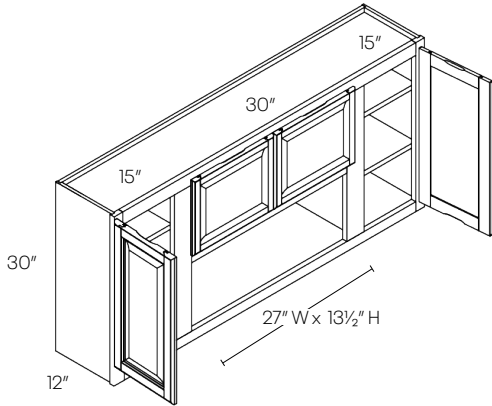
R

30" High Open Wall Cabinet

6030-O

866

- Opening Natural Interior Finish



30" High Blind Wall Cabinet

BLW27/3030

637

BLW36/3930

762

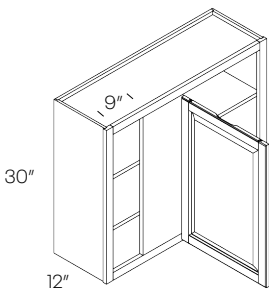
BLW39/4230

832

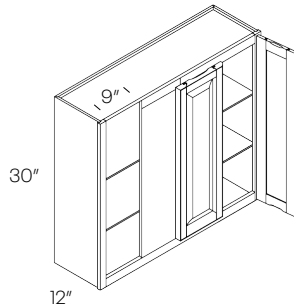
BLW42/4530

913

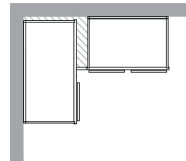
- Reversible L or R
- Can be installed at actual size



BLW27/BLW36



BLW39/BLW42



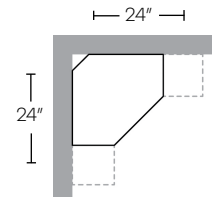
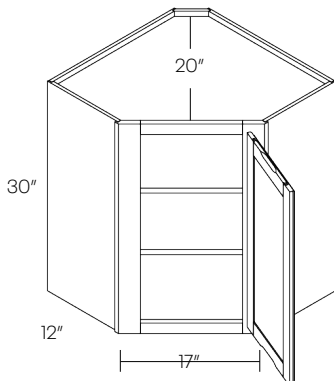
Cabinet	Min. Pull	Max. Pull	Actual Size	Door(s)	Door Opening
BLW27/3030	27"	30"	27"	1230	9" X 27"
BLW36/3930	36"	39"	36"	2130	18" X 27"
BLW39/4230	39"	42"	39"	2430	21" X 27"
BLW42/4530	42"	45"	42"	2730	24" X 27"

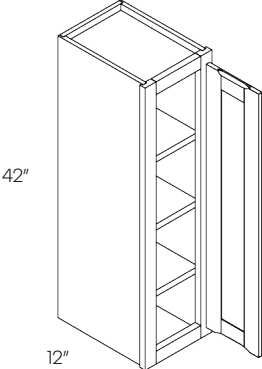
30" High Diagonal Corner Wall Cabinet

CW2430

651

- Requires 24" x 24" wall space



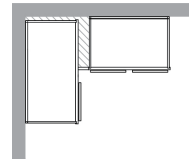
	Item Number	R
42" High 1 Door Wall Cabinet 	942	349
	1242	380
	1542	418
	1842	465
	2142	554

42" High 2 Door Wall Cabinet 	2442	595
	2742	656
	3042	680
	3342	729
	3642	772
	4242	898

42" High Blind Wall Cabinet 	BLW27/3042	822
	BLW36/3942	987
	BLW39/4242	1081

- Reversible L or R
- Can be installed at actual size

Cabinet	Min. Pull	Max. Pull	Actual Size	Door(s)	Door Opening
BLW27/3042	27"	30"	27"	1242	9" X 39"
BLW36/3942	36"	39"	36"	2142	18" X 39"
BLW39/4242	39"	42"	39"	2442	21" X 39"



42"
12"
9"
BLW27/BLW36

42"
12"
9"
BLW39

Item Number

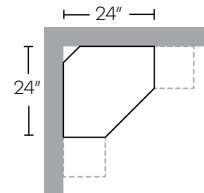
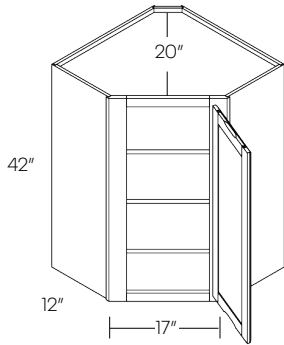
R

42" High Diagonal Corner Wall Cabinet

CW2442

849

• Requires 24" x 24" wall space

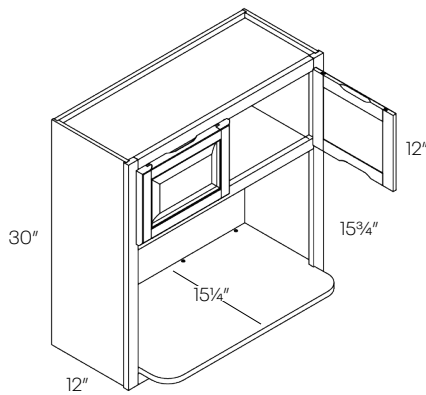


Microwave Cabinet

MW3030

625

- Opening 27" x 15³/₄"
- Shelf is 15³/₄" deep
- Opening has natural finish
- Shelf ships loose



1 Door Base Cabinet

Item Number	R
B9	380
B12	434
B15	456
B18	479
B21	544

- 10" Deep Shelf

2 Drawer 4 Door Base Cabinet

Item Number	R
B48	980

- 10" Deep Shelf

1 Drawer 2 Door Base Cabinet

Item Number	R
B24	580
B27	640

- 10" Deep Shelf

3 Drawer Base Cabinet

Item Number	R
DB12	639
DB15	670
DB18	690
DB21	718
DB24	743

2 Drawer 2 Door Base Cabinet

Item Number	R
B30	698
B33	746
B36	783
B39	833
B42	878

- 10" Deep Shelf

Blind Base Cabinet

Item Number	R
BLB36/39	777
BLB39/42	803
BLB42/45	857

- Reversible Left or Right
- Must be pulled to the minimum position
- *Left blind shown

Cabinet	Min. Pull	Max. Pull	Actual Size	Door(s)	Door Opening
BLB36/39	36"	39"	30"	B12	9"
BLB39/42	39"	42"	36"	B15	12"
BLB42/45	42"	45"	42"	B18	15"

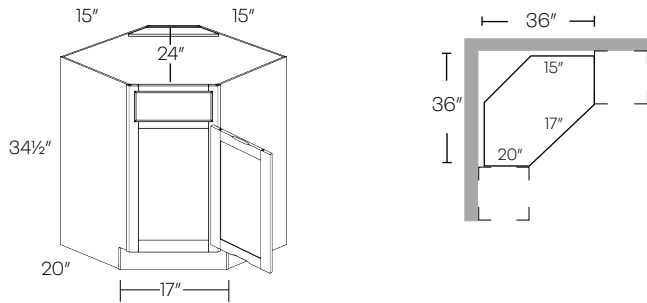
Item Number R

Item Number R

Diagonal Corner Sink Base Cabinet

CSB36 1178

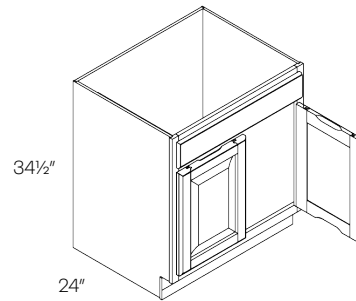
• Requires 36" x 36" wall space.



1 Drawer Front 2 Door Sink Base

SB24 575

SB27 617

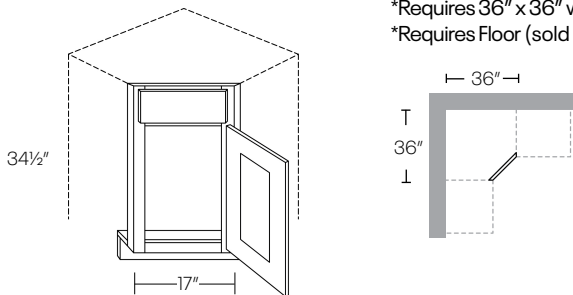


Diagonal Corner Sink Front

CSF36* 312

CSFFL36 (Floor) 145

*Requires 36" x 36" wall space.
*Requires Floor (sold separately)



2 Drawer Front 2 Door Sink Base

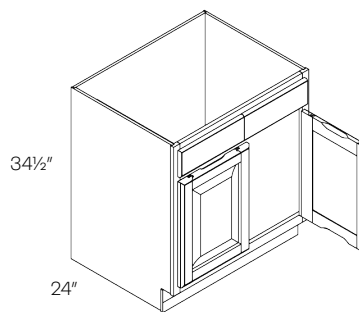
SB30 656

SB33 693

SB36 710

SB39 728

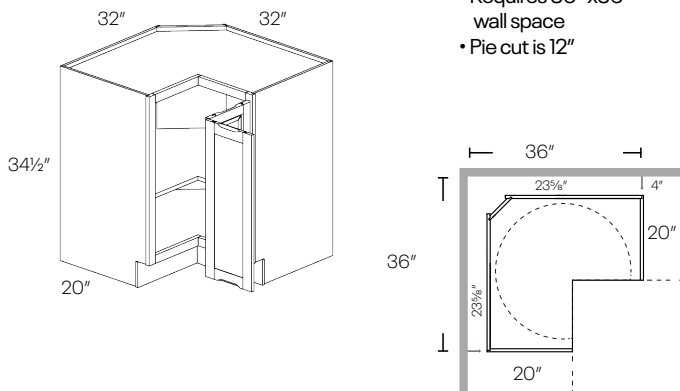
SB42 743



Carousel Corner Base Cabinet

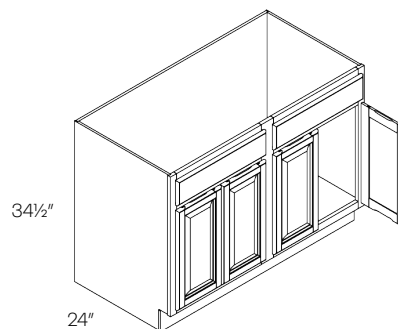
CAR36 1270

- Wood rotating shelf
- Requires 36" x 36" wall space
- Pie cut is 12"



2 Drawer 4 Door Base Cabinet

SB48 835

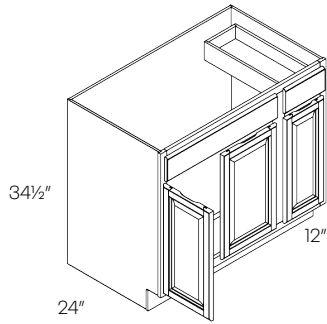


Item Number	R
-------------	---

Combination Sink Base Cabinet

SB42RD	789
SB42LD	789

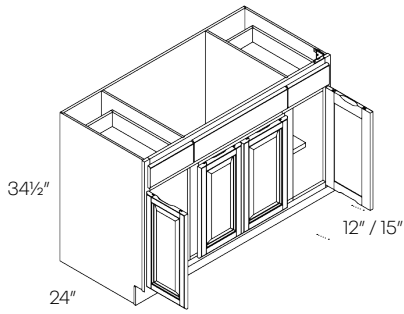
- Drawer is 12" wide
- Right Drawer (RD) shown



Combination Sink Base Cabinet

SB54	934
SB60	1017

	Door	Sink	Door
SB54	12"	30"	12"
SB60	15"	30"	15"



Item Number

R

Single Door Utility Cabinet

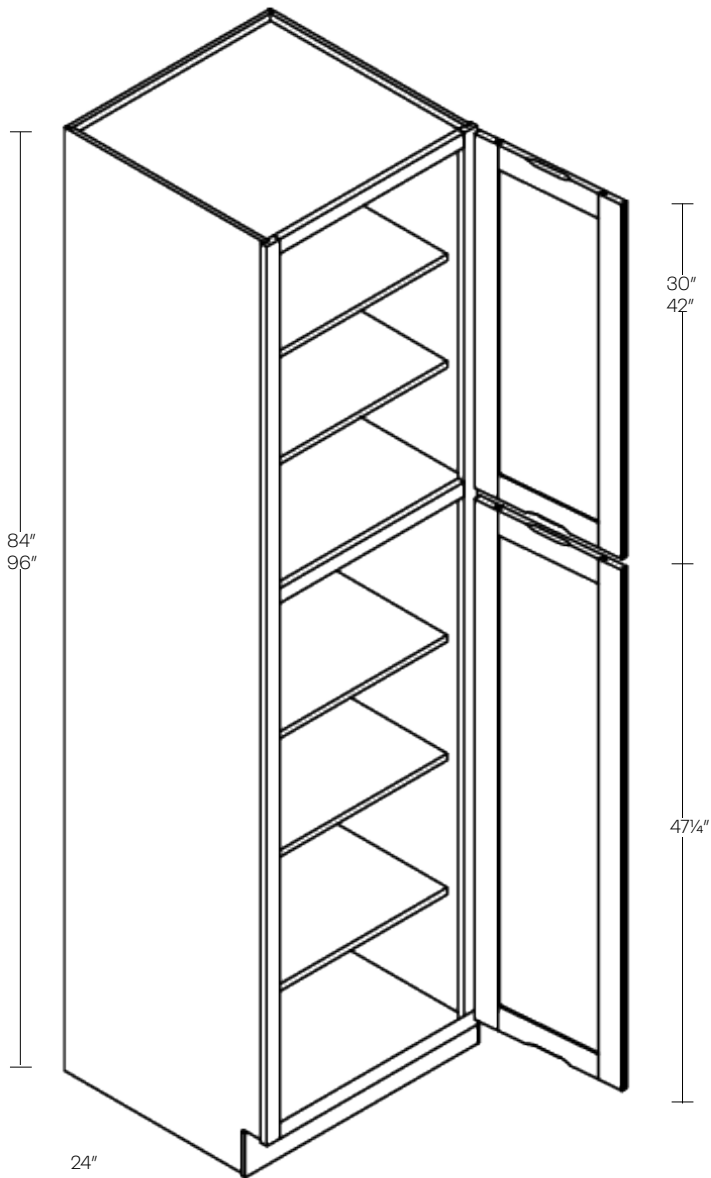
UC1824X84*

1453

UC1824X96*

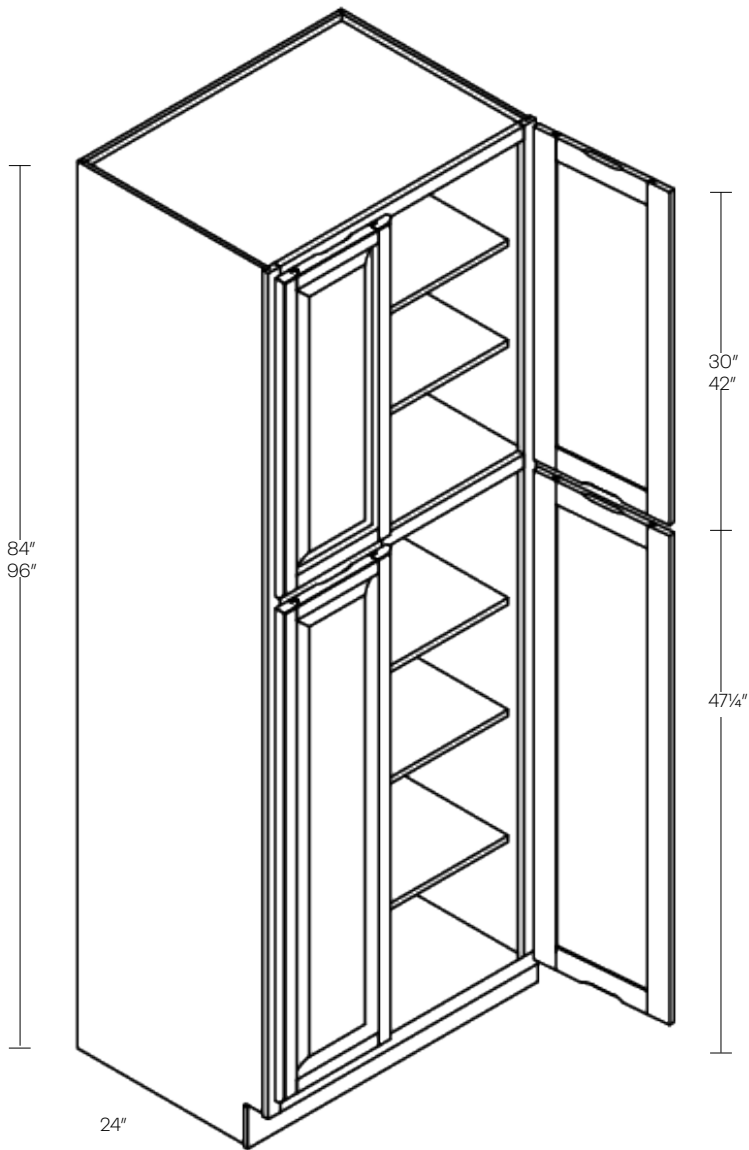
1888

- 3 bottom adjustable shelves
- 84" has 2 upper shelves
- 96" has 3 upper shelves



	Item Number	R
Double Door Utility Cabinet	UC2424X84*	1673
	UC2424X96*	2112

- 3 bottom adjustable shelves
- 84" has 2 upper shelves
- 96" has 3 upper shelves
- *POS not available



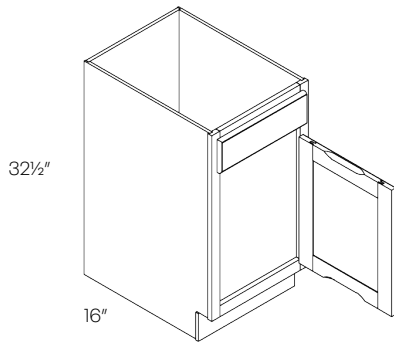
Item Number

R

1 Door Vanity Sink Base Cabinet

V1816-32.5

284



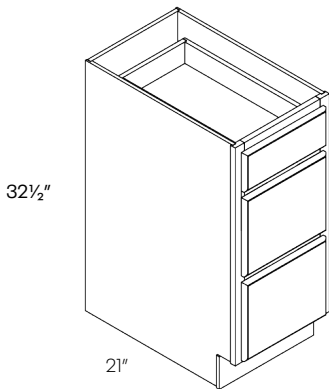
Vanity Drawer Base Cabinet

VDB15-32.5

653

VDB18-32.5

668



2 Door Vanity Sink Base Cabinet

V2418-32.5

366

V3018-32.5

465

V2421-32.5

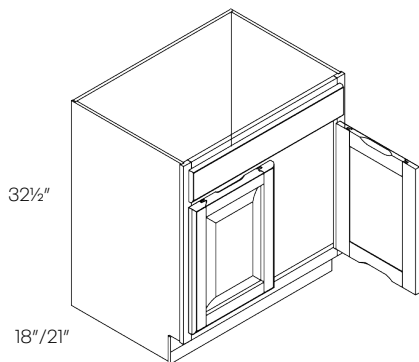
394

V3021-32.5

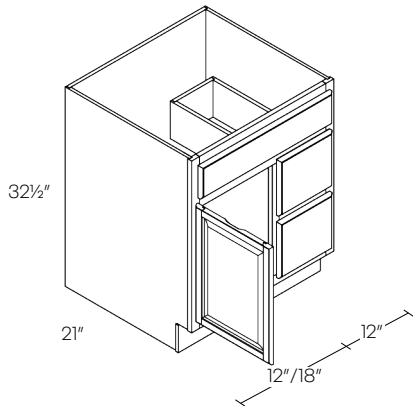
493

V3621-32.5

596

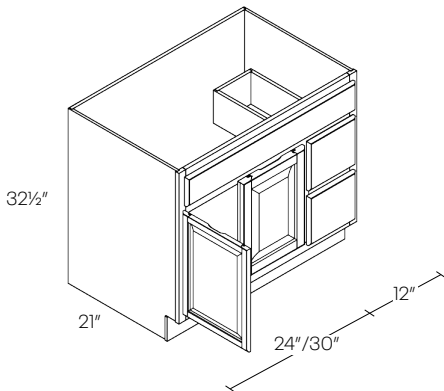


	Item Number	R
1 Door 2 Drawer Vanity Sink Base Cabinet	V2421D-32.5	569
	V3021D-32.5	780



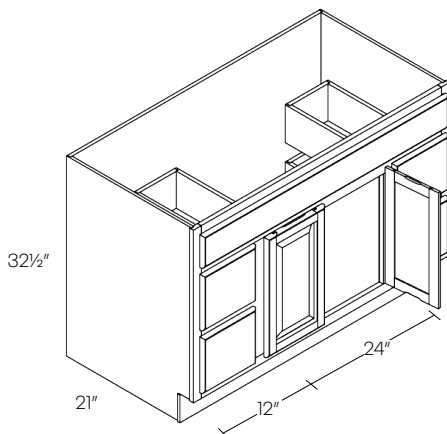
• Drawers on right hand side only

2 Door 2 Drawer Vanity Sink Base Cabinet	V3621D-32.5	881
	V4221D-32.5	894



• Drawers on right hand side only

2 Door 4 Drawer Vanity Sink Base Cabinet	V4821DD-32.5	1023
---	--------------	------



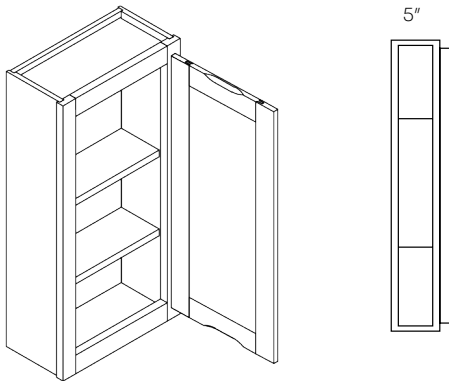
Item Number

R

Single Door Medicine Cabinet

MC1830

285



Double Door Medicine Cabinet

MC2430

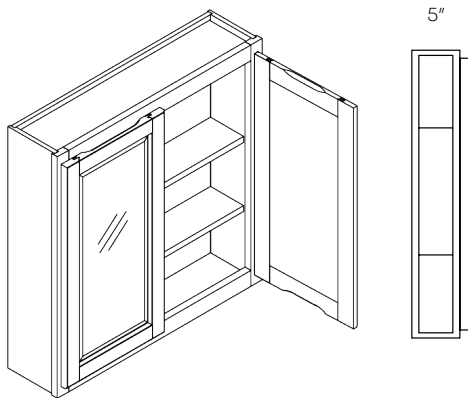
508

MC3030

567

MC3630

638



	Item Number	R
Filler	F330	47
	F630	73
	F342	63
	F642	103
	F396	120
	F696	234

3/4" 3/4"

F330/F630/F342/F642 F396/F696

• Fillers finished on all 4 sides

	Item Number	R
Plywood Panel	PLY4X8	349

48" 96" 1/4"

	Item Number	R
Base End Panel	DWR3	159

1/2" 24" 3 1/2" 3"

DWR

	Item Number	R
Crown Molding	CRM	115

• 8 feet long

CRM
Height: 2"
Projection: 2"

	Item Number	R
Refrigerator End Panel	REP384	444
	REP396	489

1/2" 24" 3"

REP3

	Item Number	R
Corner Molding	OCM	109
	ICM	109

• 8 feet long

3/4" 3/4" 3/4" 3/4"

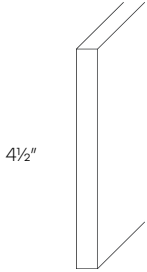
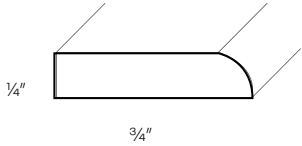
OCM ICM

Item Number R

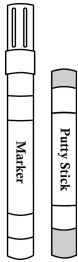
Item Number R

Scribe Molding **SCM** 72
• 8 feet long

Toe Kick **TKS** 81
• 8 feet long



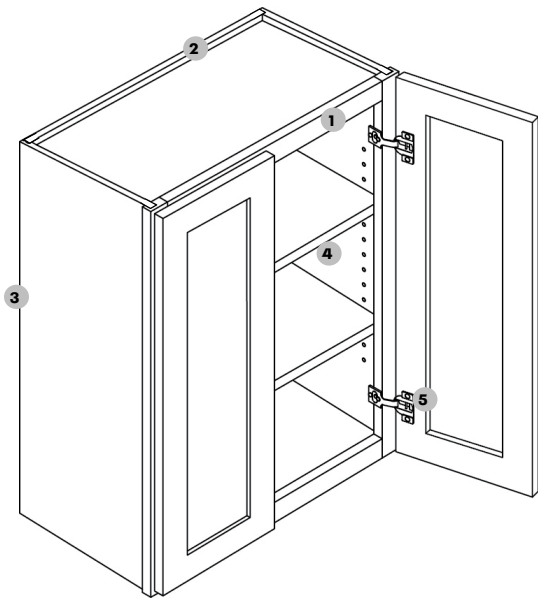
Touch Up Kit **TUP** 100



TUP

Cabinet & Door Information

Concord Collection



1 Frame — 3/4" thick, 1 1/2" wide, kiln-dried solid hardwood. Frame and sides are installed with a DADO interlocking system, which insures easy assembly and inseparable strength

2 Back panel — Full 1/2" plywood back with 3" hanging rails, installed with DADO groove. Screwed to top and bottom. Exterior is finished.

3 End panel

Concord Collection

1/2" Plywood sides. Finished exterior with a natural wood-finish veneer interior.

Concord Plus Program

1/4" Applied finished ends - Customer must order. End panel will be flush.

4 Shelves — 3/4" thick, plywood; fully adjustable with metal clips.

5 Hinges

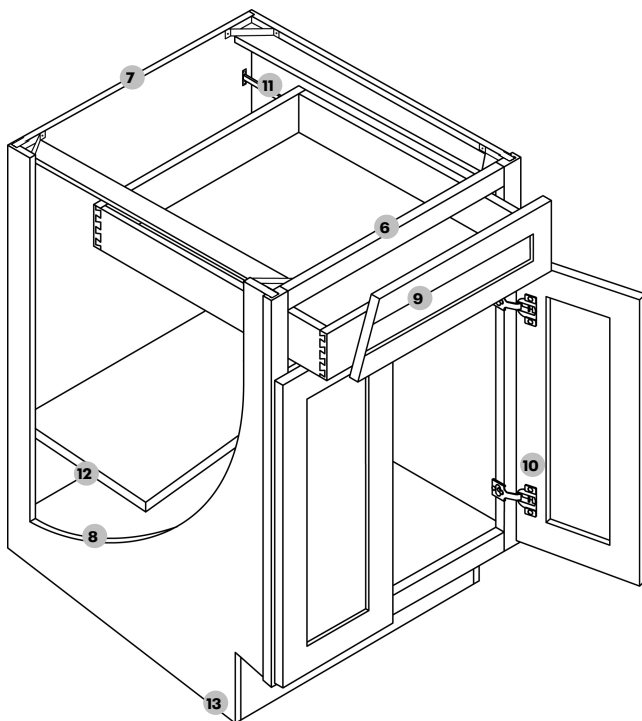
Concord Collection

Six-way, soft close adjustable hinges

Concord Plus Program

BLUM soft close adjustable hinges

*36" and 42" Wall cabinets will have 3 hinges



6 Base frame — 3/4" thick, 1 1/2" wide, kiln-dried solid hardwood. Frame and sides are installed with a DADO groove, which insures easy assembly. Exterior is finished.

7 Back panel — Full 1/2" plywood back with 3" hanging rails, installed with DADO groove. Screwed to top and bottom.

8 End panel

Concord Collection

1/2" Plywood sides. Finished exterior with a natural wood-finish veneer interior.

Concord Plus Program

1/4" Applied finished ends - Customer must order. End panel will be flush.

9 Drawers — 3/4" Solid wood, dovetail construction. With high quality stainless steel full extension under-mount glide. With soft-close safety feature.

10 Hinges

Concord Collection

Six-way, soft close adjustable hinges

Concord Plus Program

BLUM soft close adjustable hinges

11 Glides

Concord Collection

High quality stainless steel full extension under-mount glide. With soft-close safety feature.

Concord Plus Program

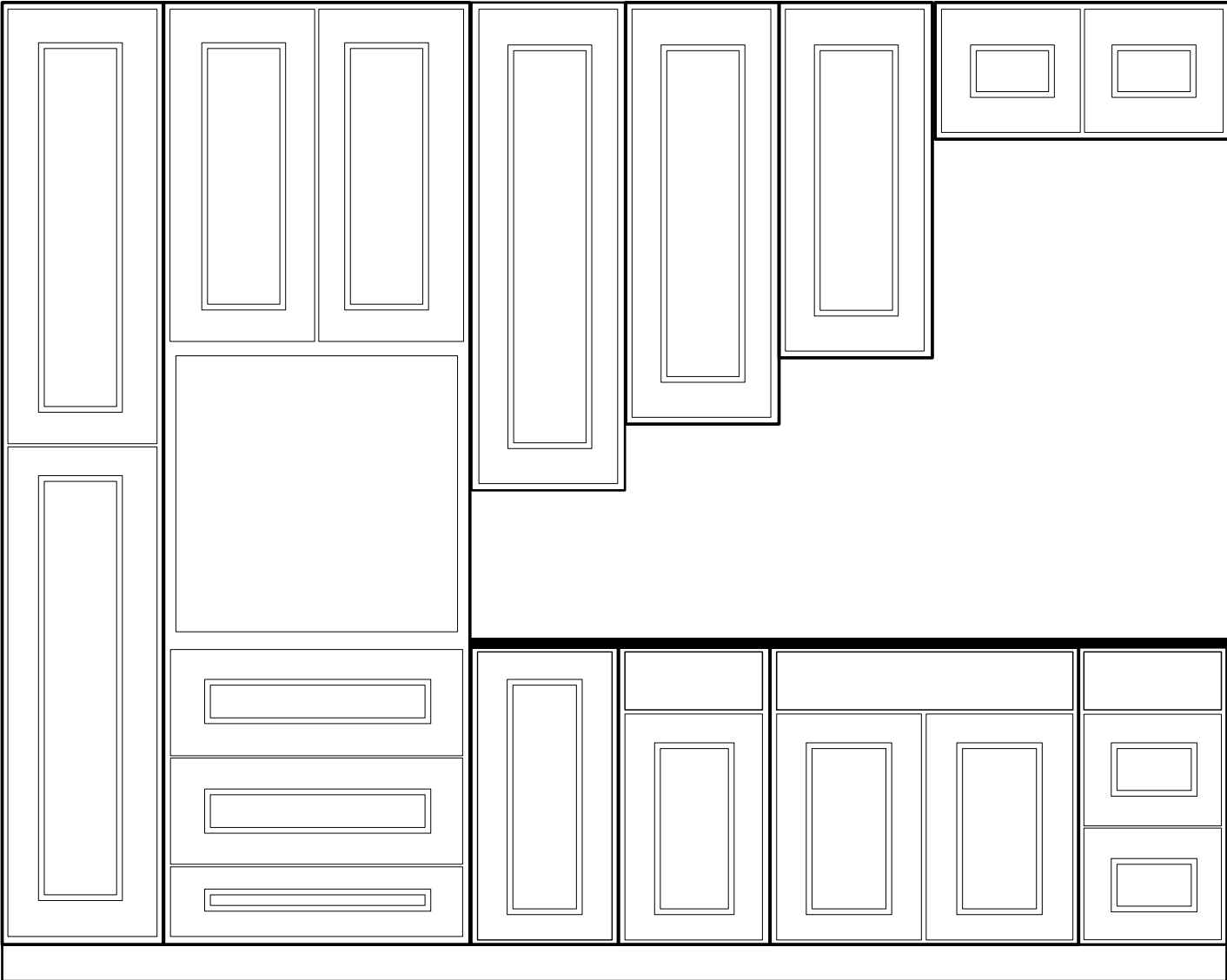
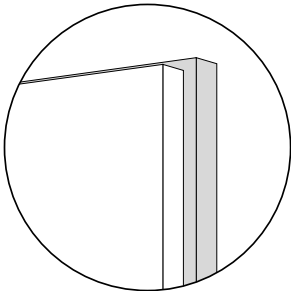
BLUM soft close adjustable ull extension under-mount glides

12 Shelves — 3/4" thick, plywood; fully adjustable with metal clips. (10" deep)

13 Toe kick — 4 1/2" Toe kick with 2 1/2" inset on all standard base and vanity cabinets.

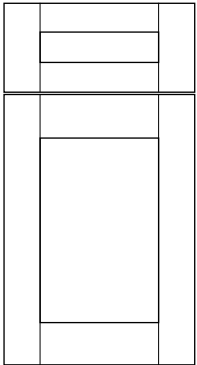
Full Overlay

1/4" Reveal

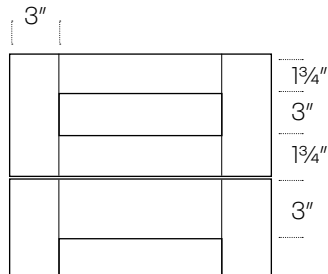


4 1/2"
Toe Kick

Elegant



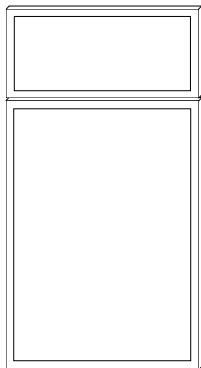
A full overlay 5 piece solid wood, with solid MDF veneer flat center panel. Mortise and Tenon construction.



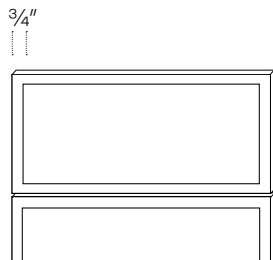
Finish	Price Code
EB02 - Smoky Grey (stain)	A
EB10 - White (paint)	A
EB23 - Stone (hybrid stain)	B
EB27 - Ocean (paint)	A

Elegant Plus - EBP	Price Code
101 - Sleek White	M
102 - Linen	M
103 - Sahara	M
104 - Mountain Stream	M
105 - Adirondack Blue	M
106 - Sage	M
107 - Evergreen	M
108 - Rumors	M
109 - Cracked Pepper	M
110 - Jet Black	M

Newport



A full overlay 5 piece solid wood, with solid MDF veneer flat center panel. The Newport door features a 3/4" frame.



Finish	Price Code
NB10 - White	A

Newport Plus	Price Code
--------------	------------

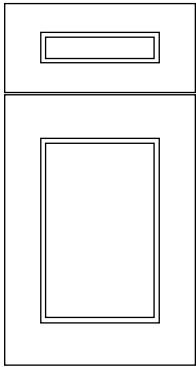
Stain - NKP

200 - Ale	D
201 - Bourbon	D

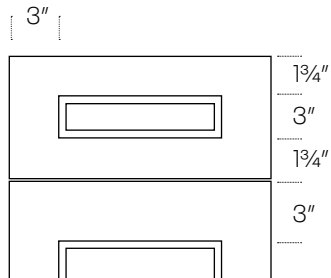
Paint - NBP

101 - Sleek White	M
102 - Linen	M
103 - Sahara	M
104 - Mountain Stream	M
105 - Adirondack Blue	M
106 - Sage	M
107 - Evergreen	M
108 - Rumors	M
109 - Cracked Pepper	M
110 - Jet Black	M

Fashion



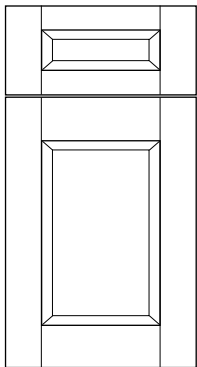
A full overlay 5 piece solid wood, with solid MDF veneer flat center panel. Mortise and Tenon construction.



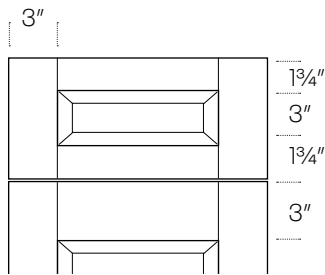
Finish	Price Code
FB10 - White (paint)	B
FB27 - Ocean (paint)	B

Fashion Plus - FBP	Price Code
101 - Sleek White	N
102 - Linen	N
103 - Sahara	N
104 - Mountain Stream	N
105 - Adirondack Blue	N
106 - Sage	N
107 - Evergreen	N
108 - Rumors	N
109 - Cracked Pepper	N
110 - Jet Black	N

Sydney



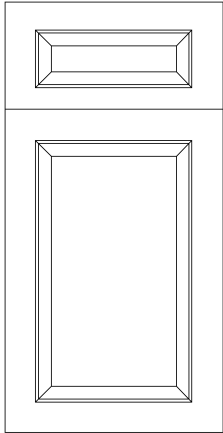
A full overlay 5 piece solid wood, MDF veneer center panel. French mitered construction.



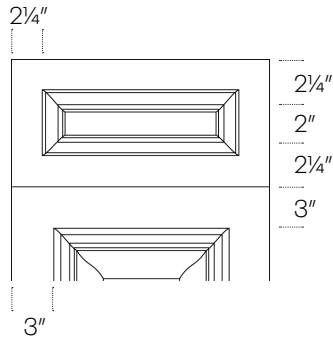
Finish	Price Code
SB10 - White	C

Sydney Plus	Price Code
Stain - SKP	
200 - Ale	P
201 - Bourbon	P
Paint - SBP	
101 - Sleek White	O
102 - Linen	O
103 - Sahara	O
104 - Mountain Stream	O
105 - Adirondack Blue	O
106 - Sage	O
107 - Evergreen	O
108 - Rumors	O
109 - Cracked Pepper	O
110 - Jet Black	O

Richmond

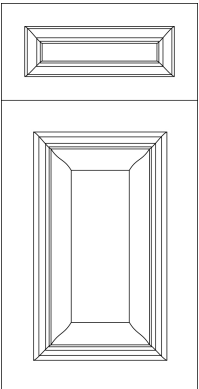


A full overlay 5 piece solid wood, raised panel MDF veneer center. Mitered construction.

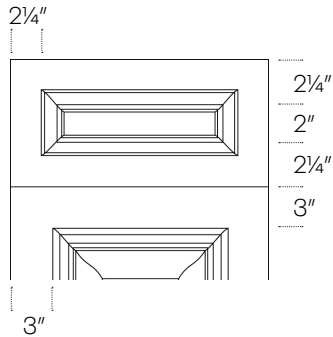


Finish	Price Code
RB10 - White (paint)	C
RB23 - Stone (hybrid stain)	C
Richmond Plus - RBP	Price Code
101 - Sleek White	O
102 - Linen	O
103 - Sahara	O
104 - Mountain Stream	O
105 - Adirondack Blue	O
106 - Sage	O
107 - Evergreen	O
108 - Rumors	O
109 - Cracked Pepper	O
110 - Jet Black	O

Park Avenue



A full overlay 5 piece solid wood, raised panel MDF veneer center. Mitered construction.



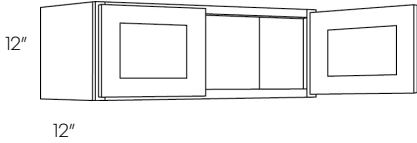
Finish	Price Code
PB10 - White (paint)	C
PB27- Ocean (paint)	C

Specifications & Pricing

Concord Collection

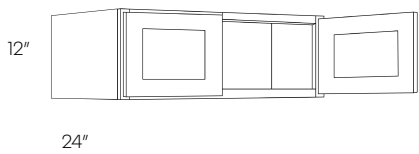
Plus Program

Item Number	Plus Program								
	A	B	C	D	M	N	O	P	
12" High Wall Cabinet									
3012	428	454	479	540	514	545	575	604	
3312	453	480	508	572	544	576	610	641	
3612	493	523	553	622	592	628	664	698	
3912	566	595	625	714	690	714	750	788	



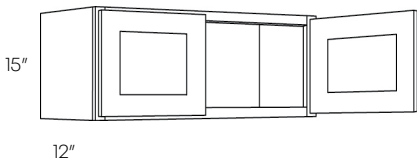
• No Shelf

12" High, 24" Deep Wall Cabinet									
3012X24	603	640	677	761	724	768	813	854	
3312X24	615	653	689	775	738	784	827	869	
3612X24	663	705	744	836	796	846	893	938	
3912X24	711	747	784	897	854	897	941	989	



• No Shelf

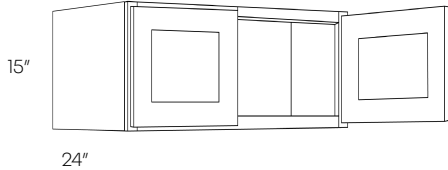
15" High Wall Cabinet									
1215 (one door)	275	311	330	347	330	374	396	416	
1515 (one door)	294	327	347	371	353	393	417	438	
1815 (one door)	317	344	365	401	381	413	438	460	
2115 (one door)	339	361	383	428	407	434	460	483	
2415	431	457	481	544	518	549	578	607	
3015	444	471	498	560	533	566	598	628	
3315	469	498	525	592	563	598	630	662	
3615	540	573	604	681	648	688	725	762	
3915	597	627	659	753	717	753	791	831	



• No Shelf

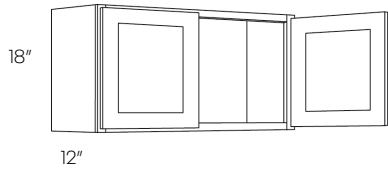
Plus Program

	Item Number	Plus Program								
		A	B	C	D	M	N	O	P	
15" High, 24" Deep Wall Cabinet	3015X24	639	680	718	806	767	816	862	906	
	3315X24	672	712	754	848	807	855	905	951	
	3615X24	720	763	807	908	864	916	969	1018	
	3915X24	768	807	847	969	922	969	1017	1068	



• No Shelf

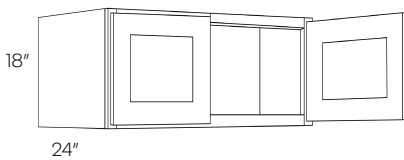
18" High Wall Cabinet



1218 (one door)	314	356	377	396	377	428	453	476
1518 (one door)	338	374	396	427	406	449	476	500
1818 (one door)	363	394	417	458	436	473	501	527
2118 (one door)	408	433	457	515	490	520	549	577
2418	451	478	504	570	542	574	605	636
3018	474	502	531	598	569	603	638	670
3318	489	518	548	617	587	622	658	691
3618	559	593	626	705	671	712	752	790
3918	626	658	691	790	752	790	830	872

• No Shelf

18" High, 24" Deep Wall Cabinet

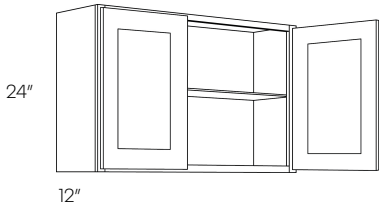


3018X24	676	717	758	853	812	861	910	956
3318X24	729	772	816	919	875	927	980	1029
3618X24	774	822	869	976	929	987	1043	1096
3918X24	819	860	903	1033	983	1032	1084	1139

• No Shelf

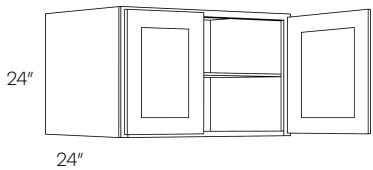
Plus Program

	Item Number	Plus Program							
		A	B	C	D	M	N	O	P
24" High Wall Cabinet	2424	607	645	681	766	729	774	818	859
	2724	611	648	684	771	734	778	821	863
	3024	620	657	693	782	744	789	832	874
	3324	658	698	737	830	790	838	885	930
	3624	706	748	791	891	848	898	950	998
	3924	734	771	810	926	881	926	972	1021
	4224	795	844	892	1002	954	1013	1071	1125



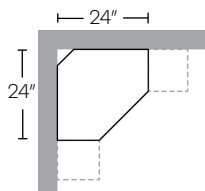
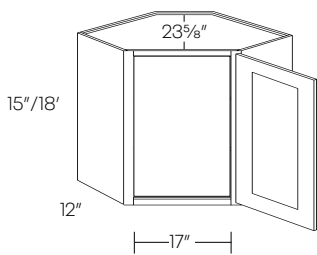
• Has One Shelf

24" High, 24" Deep Wall Cabinet	3024X24	831	880	930	1048	998	1056	1116	1172
	3324X24	891	944	998	1124	1070	1133	1198	1258
	3624X24	955	1013	1071	1204	1146	1216	1286	1351
	3924X24	1019	1070	1124	1285	1223	1284	1349	1417



• Has One Shelf

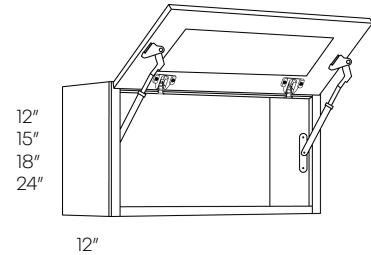
15" - 18" High Diagonal Corner Wall Cabinet	CW2415	634	671	711	800	761	806	854	897
	CW2418	725	769	816	914	870	923	980	1029



- 2430 uses 14 1/16" door
- Requires 24" X 24" wall space

Plus Program

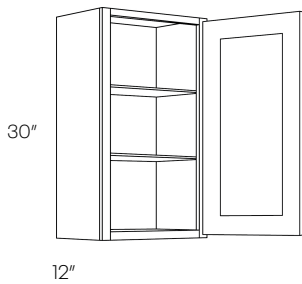
Item Number	Plus Program								
	A	B	C	D	M	N	O	P	
Horizontal Wall Cabinet									
3012-HD	687	730	770	867	825	876	924	971	
3015-HD	704	746	789	888	845	896	947	995	
3018-HD	710	754	795	895	852	905	954	1002	
3024-HD *	878	931	984	1107	1054	1118	1181	1241	
3612-HD	753	797	843	950	904	957	1012	1063	
3615-HD	798	847	895	1006	958	1017	1074	1128	
3618-HD	818	868	917	1032	982	1042	1101	1157	
3624-HD*	965	1024	1082	1216	1158	1229	1299	1364	



*Has One Shelf

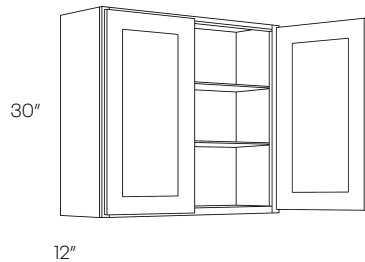
30" High Single Door Wall Cabinet

930	351	372	393	444	422	447	472	496
1230	392	416	439	495	471	500	527	554
1530	422	447	472	533	507	537	567	596
1830	475	503	532	599	570	604	639	671
2130	567	602	636	716	681	723	764	803



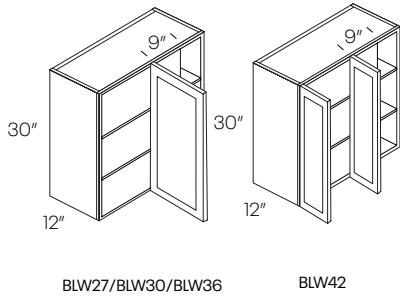
30" High Double Door Wall Cabinet

2430	604	641	678	762	725	770	814	855
2730	667	708	747	842	801	850	897	942
3030	683	725	766	861	820	870	920	966
3330	745	791	835	939	894	950	1002	1053
3630	791	839	887	998	950	1007	1065	1119
3930	855	907	959	1078	1026	1089	1151	1209
4230	922	977	1033	1163	1107	1173	1240	1302

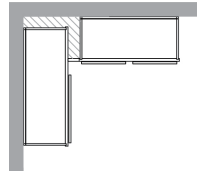


Plus Program

Item Number	Plus Program								
	A	B	C	D	M	N	O	P	
30" High Blind Wall Cabinet									
BLW27/3030 (1 door)	861	913	964	1086	1034	1096	1157	1215	
BLW30/3330 (1 door)	947	1004	1061	1194	1137	1205	1274	1338	
BLW36/3930 (1 door)	1033	1095	1157	1302	1240	1314	1389	1459	
BLW42/4530	1237	1312	1385	1560	1485	1575	1662	1746	



• Reversible left or right

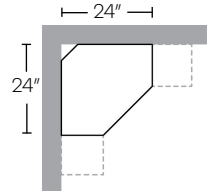
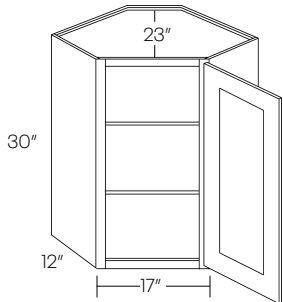


Cabinet	Min. Pull	Max. Pull	Actual Size	Door(s)	Door Opening
BLW27/3030	27"	30"	27"	1230	9" X 27"
BLW30/3330	30"	33"	30"	1530	12" X 27"
BLW36/3930	36"	39"	36"	2130	18" X 27"
BLW42/4530	42"	45"	42"	2730	24" X 27"

30" High Diagonal Corner Wall Cabinet

Item Number	A	B	C	D	M	N	O	P
CW2430	881	935	987	1111	1058	1122	1185	1245

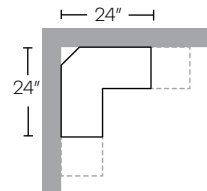
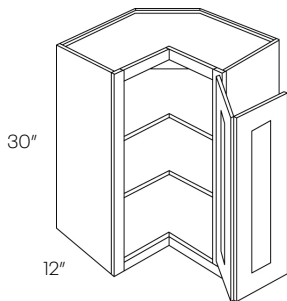
- 2430 uses 14¹/₁₆" door
- Requires 24" X 24" wall space



30" High Corner Wall Cabinet

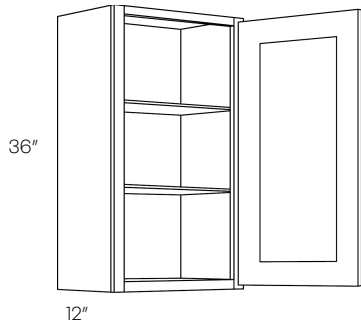
Item Number	A	B	C	D	M	N	O	P
WSQ2430	947	1003	1060	1194	1137	1204	1272	1336

- Requires 24" X 24" wall space
- Pie is 12" X 12"

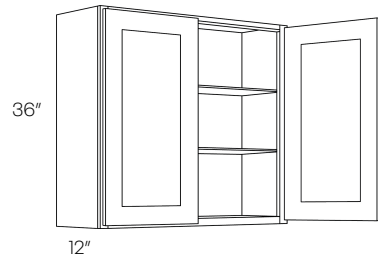


Plus Program

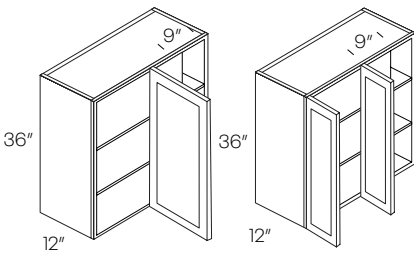
Item Number	Plus Program								
	A	B	C	D	M	N	O	P	
36" High Single Door Wall Cabinet									
936	422	447	472	533	507	537	567	596	
1236	466	494	522	588	560	593	627	659	
1536	507	539	569	640	609	647	683	718	
1836	564	599	633	711	677	719	760	798	
2136	678	719	760	855	814	863	912	958	



36" High Double Door Wall Cabinet									
2436	722	766	809	911	867	920	971	1020	
2736	798	847	895	1006	958	1017	1074	1128	
3036	833	884	934	1050	1000	1061	1121	1178	
3336	891	944	998	1124	1070	1133	1198	1258	
3636	942	999	1056	1188	1131	1199	1268	1332	
4236	1106	1172	1239	1395	1328	1407	1487	1562	



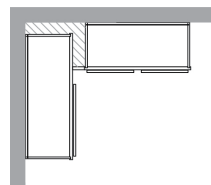
36" High Blind Wall Cabinet									
BLW27/3036	1002	1062	1122	1264	1203	1275	1347	1415	
BLW30/3336	1096	1163	1228	1382	1316	1396	1474	1548	
BLW36/3936	1190	1263	1333	1500	1428	1516	1600	1680	
BLW42/4536	1384	1467	1552	1745	1661	1678	1863	1957	



BLW27/BLW36

BLW39

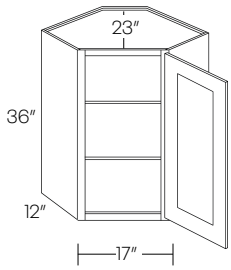
• Reversible left or right



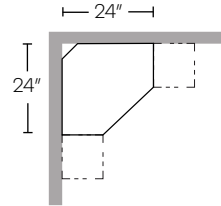
Cabinet	Min. Pull	Max. Pull	Actual Size	Door(s)	Door Opening
BLW27/3036	27"	30"	27"	1236	9" X 33"
BLW30/3336	30"	33"	30"	1536	12" X 33"
BLW36/3936	36"	39"	36"	2136	18" X 33"
BLW42/4536	42"	45"	42"	2736	24" X 33"

Plus Program

Item Number	Plus Program								
	A	B	C	D	M	N	O	P	
36" High Diagonal Corner Wall Cabinet	CW2436	928	984	1039	1170	1114	1181	1247	1310

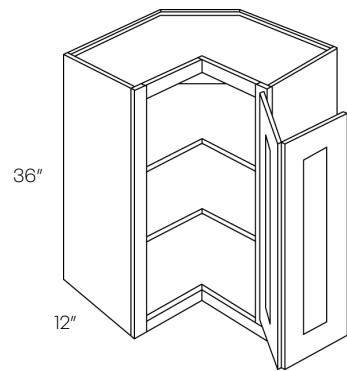


- 2430 uses 14¹/₁₆" door
- Requires 24" X 24" wall space

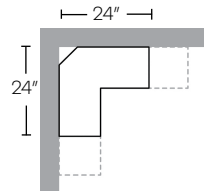


36" High Corner Wall Cabinet

Item Number	A	B	C	D	M	N	O	P
WSQ2436	996	1056	1116	1256	1196	1268	1340	1407

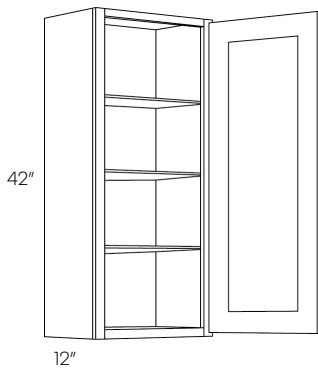


- Requires 24" X 24" wall space
- Pie is 12" X 12"



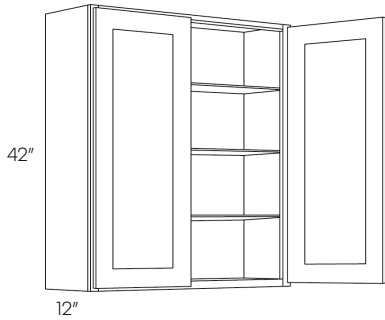
42" High Single Door Wall Cabinet

942	470	499	527	593	564	599	633	665
1242	515	546	577	649	618	656	693	728
1542	565	600	634	712	678	720	761	800
1842	627	665	704	791	753	798	845	888
2142	752	796	842	949	903	956	1011	1062



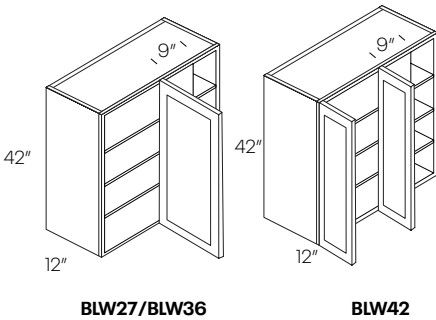
Plus Program

Item Number	Plus Program								
	A	B	C	D	M	N	O	P	
42" High Double Door Wall Cabinet									
2442	807	855	903	1018	969	1026	1084	1139	
2742	886	939	992	1118	1064	1127	1191	1251	
3042	917	973	1027	1157	1101	1168	1233	1295	
3342	987	1048	1107	1245	1185	1258	1329	1396	
3642	1046	1109	1171	1319	1256	1331	1406	1477	
4242	1216	1290	1362	1533	1460	1548	1635	1717	

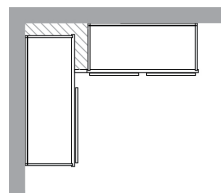


42" High Blind Wall Cabinet

BLW27/3042	1116	1183	1250	1407	1340	1420	1500	1575
BLW30/3342	1228	1302	1375	1548	1474	1563	1650	1733
BLW36/3942	1339	1420	1500	1688	1607	1704	1800	1890
BLW42/4542	1525	1620	1712	1922	1830	1864	2055	2158



• Reversible left or right

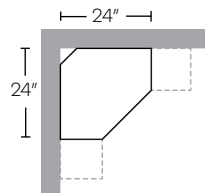
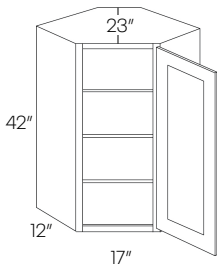


Cabinet	Min. Pull	Max. Pull	Actual Size	Door(s)	Door Opening
BLW27/3042	27"	30"	27"	1242	9" X 39"
BLW30/3342	30"	33"	30"	1542	12" X 39"
BLW36/3942	36"	39"	36"	2142	18" X 39"
BLW42/4542	42"	45"	42"	2742	24" X 39"

42" High 4 Door Wall Cabinet

CW2442	1150	1220	1289	1449	1380	1464	1547	1625
---------------	------	------	------	------	------	------	------	------

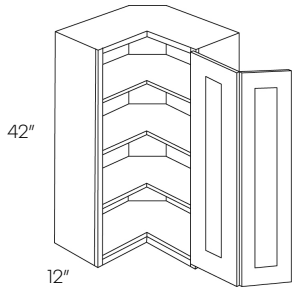
• Requires 24" X 24" wall space



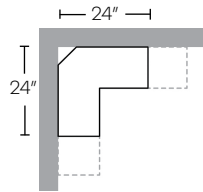
Plus Program

Item Number	Plus Program								
	A	B	C	D	M	N	O	P	
42" High Corner Wall Cabinet	WSQ2442	1234	1309	1383	1556	1481	1571	1660	1743

42" High Corner Wall Cabinet

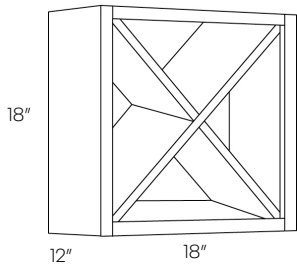


- Requires 24" X 24"
- Pie is 12" X 12"



Wine Rack Cabinet

WCX1818	360	360	360	454	432	432	432	454
----------------	-----	-----	-----	-----	-----	-----	-----	-----

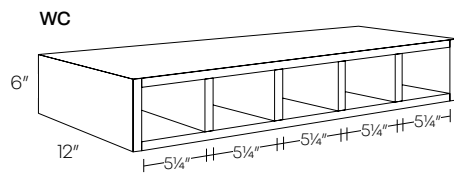


WCX1818

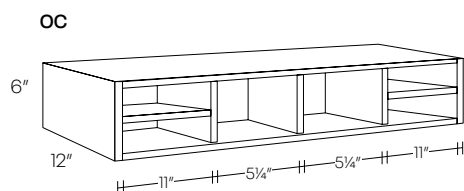
- Finished interior

Organizer Cubby

OC36	297	297	297	375	357	357	357	375
WC30	272	272	272	344	327	327	327	344
WC36	282	282	282	356	339	339	339	356



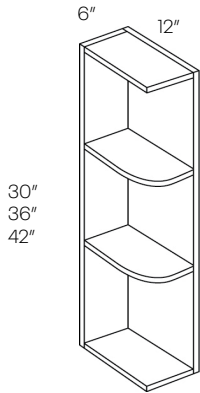
- Finished interior
- Wood is 3/4" thick



Plus Program

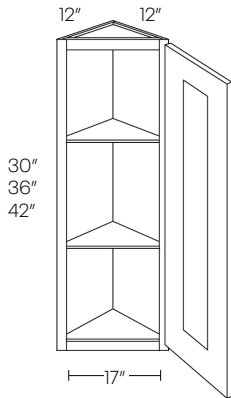
Item Number	Plus Program								
	A	B	C	D	M	N	O	P	
WS30	208	208	208	263	250	250	250	263	
WS36	245	245	245	309	294	294	294	309	
WS42	278	278	278	351	334	334	334	351	

Knick Knack Wall Shelf



- Reversible
- Fixed shelves
- 42" Has 3 shelves

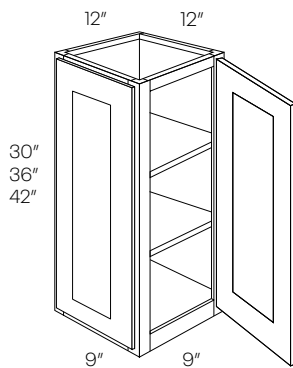
Single Door Wall End Cabinet



WEC1230	405	430	453	511	486	516	544	572
WEC1236	453	480	508	572	544	576	610	641
WEC1242	506	538	567	639	608	806	681	716

- 42" Has 3 shelves

Double Door Wall End Cabinet



WECD1230	506	538	567	639	608	646	681	716
WECD1236	567	602	636	716	681	723	764	803
WECD1242	633	671	708	798	760	806	850	893

- 42" Has 3 shelves

Plus Program

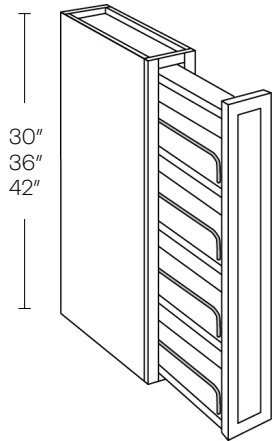
Item Number

A B C D M N O P

Wall Spice Cabinet

WSP30	450	477	503	567	540	573	604	635
WSP36	523	555	586	660	628	666	704	740
WSP42	553	586	621	698	664	704	746	784

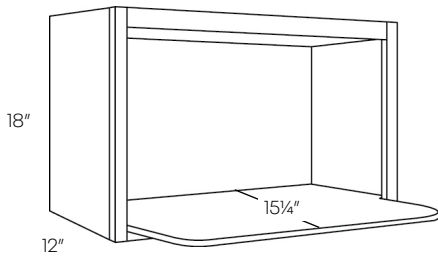
- Cabinet is 6" wide



Microwave Cabinet

MW3018	507	533	560	640	609	609	609	640
---------------	-----	-----	-----	-----	-----	-----	-----	-----

- Finished interior
- Opening 27" W X 14¼" H
- Shelf ships loose
- Depth of the shelf may be cut-down



Plus Program

Item Number

A

B

C

D

M

N

O

P

Single Door & Drawer Base Cabinet

B9

563

598

632

710

676

718

759

797

B12

635

674

711

801

762

809

854

897

B15

662

702

742

835

795

843

891

936

B18

698

739

782

880

838

887

939

986

B21

783

830

876

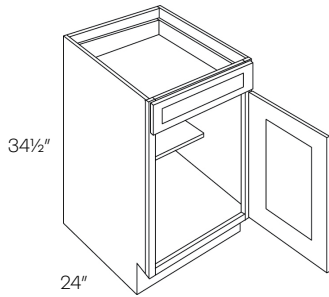
987

940

996

1052

1105



Single Drawer Double Door Base Cabinet

B24

843

893

943

1063

1012

1072

1132

1189

B27

922

977

1033

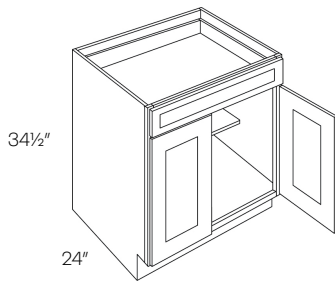
1163

1107

1173

1240

1302



Double Drawer & Door Base Cabinet

B30

1046

1109

1171

1319

1256

1331

1406

1477

B33

1110

1179

1244

1399

1332

1415

1493

1568

B36

1160

1229

1299

1462

1392

1475

1559

1637

B39

1225

1299

1373

1544

1470

1559

1648

1731

B42

1294

1373

1451

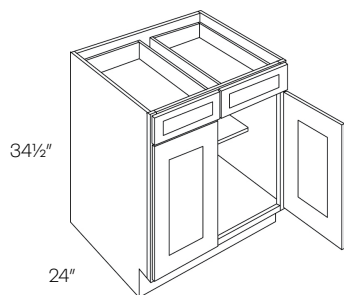
1631

1553

1648

1742

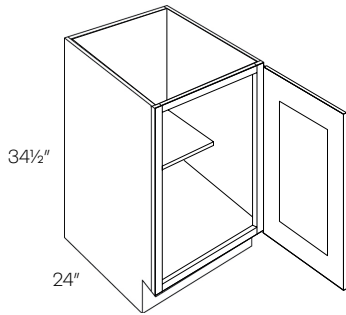
1830



Plus Program

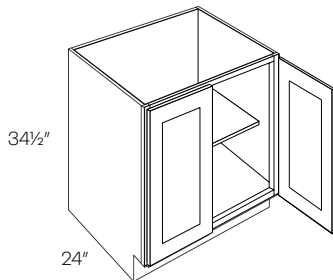
Item Number	Plus Program								
	A	B	C	D	M	N	O	P	
B9-FH	563	598	632	710	676	718	759	797	
B12-FH	635	674	711	801	762	809	854	897	
B15-FH	662	702	742	835	795	843	891	936	
B18-FH	698	739	782	880	838	887	939	986	
B21-FH	783	830	876	987	940	996	1052	1105	

Full Height Single Door & Drawer Base Cabinet



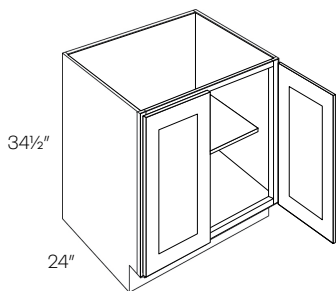
Full Height Single Drawer Double Door Base Cabinet

B24-FH	843	893	943	1063	1012	1072	1132	1189
B27-FH	922	977	1033	1163	1107	1173	1240	1302



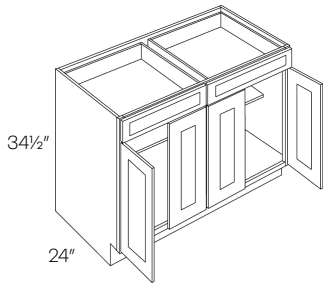
Full Height Double Drawer & Door Base Cabinet

B30-FH	1046	1109	1171	1319	1256	1331	1406	1477
B33-FH	1110	1179	1244	1399	1332	1415	1493	1568
B36-FH	1160	1229	1299	1462	1392	1475	1559	1637
B39-FH	1225	1299	1373	1544	1470	1559	1648	1731
B42-FH	1294	1373	1451	1631	1553	1648	1742	1830

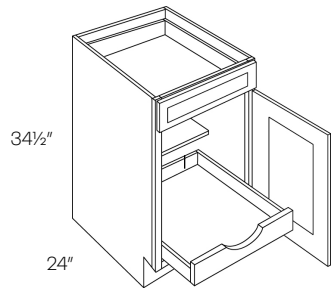


Plus Program

Item Number	Plus Program								
	A	B	C	D	M	N	O	P	
Double Drawer & 4 Door Base Cabinet	B48	1434	1520	1607	1808	1721	1824	1929	2026

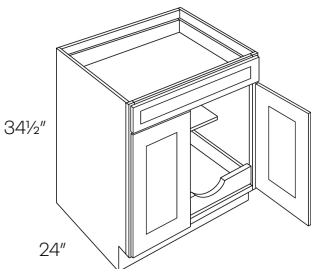


Single Door & Drawer Base Cabinet W/ 1 POS	B12-POS1	927	983	1038	1049	1010	1057	1102	1145
	B15-POS1	962	1021	1079	1092	1052	1100	1148	1193
	B18-POS1	1020	1081	1142	1158	1116	1165	1217	1264
	B21-POS1	1117	1184	1251	1277	1230	1286	1342	1395



- BLUM glides not available for POS in PLUS program
- Ball bearing soft close glides for POS
- POS has natural finish

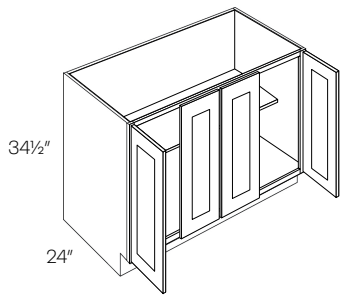
Single Drawer Double Door Base Cabinet W/1 POS	B24-POS1	1206	1278	1351	1384	1333	1393	1453	1510
	B27-POS1	1295	1374	1452	1495	1439	1505	1572	1634



- BLUM glides not available for POS in PLUS program
- Ball bearing soft close glides for POS
- POS has natural finish

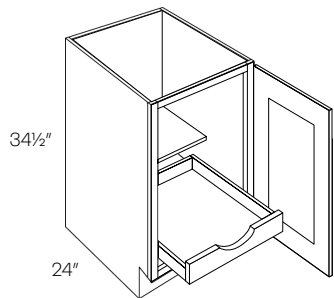
Plus Program

Item Number	Plus Program								
	A	B	C	D	M	N	O	P	
Full Height Double Drawer & 4 Door Base Cabinet	B48-FH	1434	1520	1607	1808	1721	1824	1929	2026



Full Height Single Door & Drawer Base Cabinet W/ 1 POS

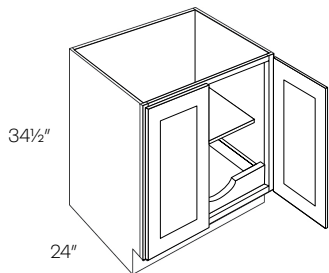
B12-FH-POS1	927	983	1038	1049	1010	1057	1102	1145
B15-FH-POS1	962	1021	1079	1092	1052	1100	1148	1193
B18-FH-POS1	1020	1081	1142	1158	1116	1165	1217	1264
B21-FH-POS1	1117	1184	1251	1277	1230	1286	1342	1395



- BLUM glides not available for POS in PLUS program
- Ball bearing soft close glides for POS
- POS has natural finish

Full Height Single Drawer Double Door Base Cabinet W/1 POS

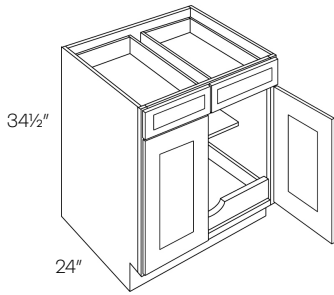
B24-FH-POS1	1206	1278	1351	1384	1333	1393	1453	1510
B27-FH-POS1	1295	1374	1452	1495	1439	1505	1572	1634



- BLUM glides not available for POS in PLUS program
- Ball bearing soft close glides for POS
- POS has natural finish

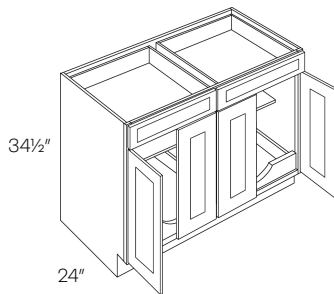
Plus Program

Item Number	Plus Program								
	A	B	C	D	M	N	O	P	
Double Drawer & Door Base Cabinet W/1 POS									
B30-POS1	1433	1519	1605	1663	1600	1675	1750	1821	
B33-POS1	1509	1601	1691	1756	1689	1772	1850	1925	
B36-POS1	1580	1674	1770	1841	1771	1854	1938	2016	
B42-POS1	1862	1974	2087	2026	1948	2043	2137	2225	



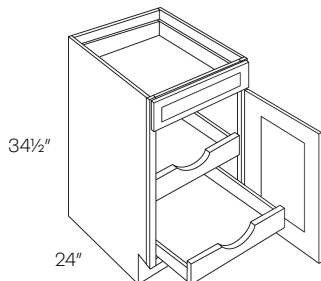
- BLUM glides not available for POS in PLUS program
- Ball bearing soft close glides for POS
- POS has natural finish

Double Drawer & 4 Door Base Cabinet W/2 POS	B48-POS2 (Has 2 POS)	1433	1519	1605	2992	2905	3008	3113	2620
--	-----------------------------	------	------	------	------	------	------	------	------



- BLUM glides not available for POS in PLUS program
- Has two POS
- Ball bearing soft close glides for POS
- POS has natural finish

Single Door & Drawer Base Cabinet W/ 2 POS	B12-POS2	1119	1186	1253	1297	1258	1305	1350	1393
	B15-POS2	1164	1234	1304	1349	1309	1357	1405	1450
	B18-POS2	1242	1316	1391	1436	1394	1443	1495	1542
	B21-POS2	1351	1433	1512	1567	1520	1576	1632	1685

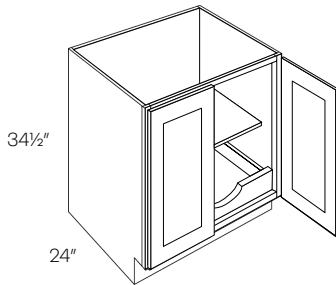


- BLUM glides not available for POS in PLUS program
- Ball bearing soft close glides for POS
- POS has natural finish

Plus Program

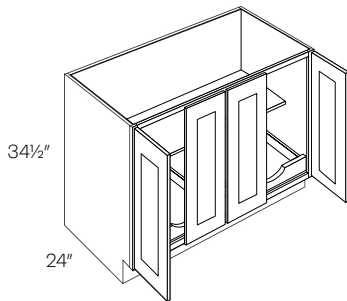
Item Number	Plus Program								
	A	B	C	D	M	N	O	P	
B30-FH-POS1	1433	1519	1605	1663	1600	1675	1750	1821	
B33-FH-POS1	1509	1601	1691	1756	1689	1772	1850	1925	
B36-FH-POS1	1580	1674	1770	1841	1771	1854	1938	2016	
B42-FH-POS1	1862	1974	2087	2026	1948	2043	2137	2225	

Full Height Double Drawer & Door Base Cabinet W/1 POS



- BLUM glides not available for POS in PLUS program
- Ball bearing soft close glides for POS
- POS has natural finish

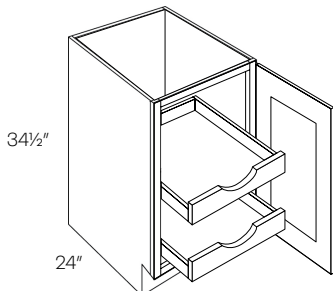
Full Height Double Drawer & 4 Door Base Cabinet W/2 POS



B48-FH-POS2 (Has 2 POS)	1433	1519	1605	2992	2905	3008	3113	2620
--------------------------------	------	------	------	------	------	------	------	------

- BLUM glides not available for POS in PLUS program
- Has two POS
- Ball bearing soft close glides for POS
- POS has natural finish

Full Height Single Door & Drawer Base Cabinet W/ 2 POS

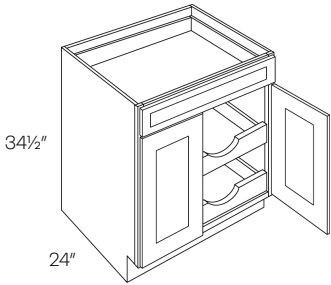


B12-FH-POS2	1119	1186	1253	1297	1258	1305	1350	1393
B15-FH-POS2	1164	1234	1304	1349	1309	1357	1405	1450
B18-FH-POS2	1242	1316	1391	1436	1394	1443	1495	1542
B21-FH-POS2	1351	1433	1512	1567	1520	1576	1632	1685

- BLUM glides not available for POS in PLUS program
- Ball bearing soft close glides for POS
- POS has natural finish

Plus Program

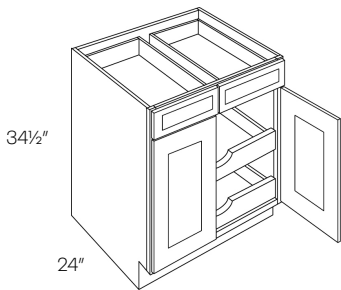
Item Number	Plus Program								
	A	B	C	D	M	N	O	P	
Single Drawer Double Door Base Cabinet W/2 POS									
B24-POS2	1468	1558	1645	1705	1654	1714	1774	1831	
B27-POS2	1569	1665	1758	1827	1771	1837	1904	1966	



- BLUM glides not available for POS in PLUS program
- Ball bearing soft close glides for POS
- POS has natural finish

Double Drawer & Door Base Cabinet W/2 POS

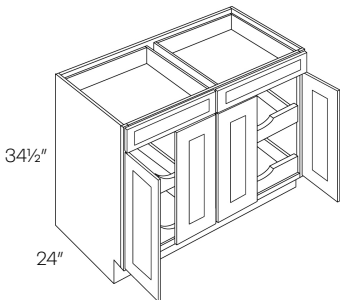
B30-POS2	1720	1823	1927	2007	1944	2019	2094	2165
B33-POS2	1809	1918	2026	2113	2046	2129	2207	2282
B36-POS2	1899	2013	2127	2220	2150	2233	2317	2395
B42-POS2	2430	2577	2722	2421	2343	2438	2532	2620



- BLUM glides not available for POS in PLUS program
- Ball bearing soft close glides for POS
- POS has natural finish

Double Drawer & 4 Door Base Cabinet W/4 POS

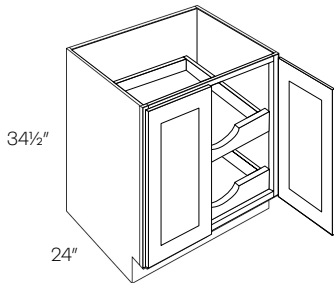
B48-POS4	2685	2848	3009	4176	4089	4192	4297	4394
-----------------	------	------	------	------	------	------	------	------



- BLUM glides not available for POS in PLUS program
- Has four POS
- Ball bearing soft close glides for POS
- POS has natural finish

Plus Program

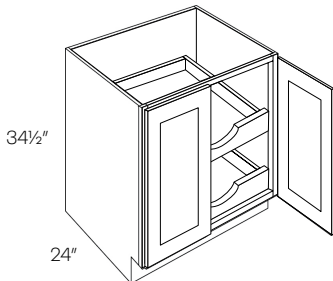
Item Number	Plus Program								
	A	B	C	D	M	N	O	P	
Full Height Single Drawer Double Door Base Cabinet W/2 POS									
B24-FH-POS2	1468	1558	1645	1705	1654	1714	1774	1831	
B27-FH-POS2	1569	1665	1758	1827	1771	1837	1904	1966	



- BLUM glides not available for POS in PLUS program
- Ball bearing soft close glides for POS
- POS has natural finish

Full Height Double Drawer & Door Base Cabinet W/2 POS

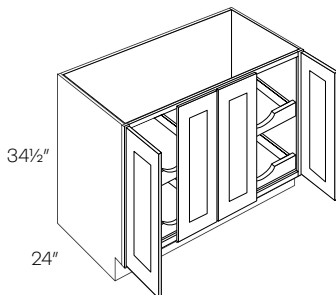
B30-FH-POS2	1720	1823	1927	2007	1944	2019	2094	2165
B33-FH-POS2	1809	1918	2026	2113	2046	2129	2207	2282
B36-FH-POS2	1899	2013	2127	2220	2150	2233	2317	2395
B42-FH-POS2	2430	2577	2722	2421	2343	2438	2532	2620



- BLUM glides not available for POS in PLUS program
- Ball bearing soft close glides for POS
- POS has natural finish

Full Height Double Drawer & 4 Door Base Cabinet W/4 POS

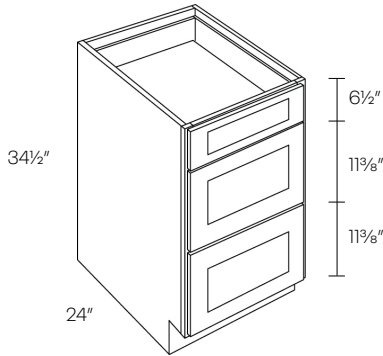
B48-FH-POS4	2685	2848	3009	4176	4089	4192	4297	4394
--------------------	------	------	------	------	------	------	------	------



- BLUM glides not available for POS in PLUS program
- Has four POS
- Ball bearing soft close glides for POS
- POS has natural finish

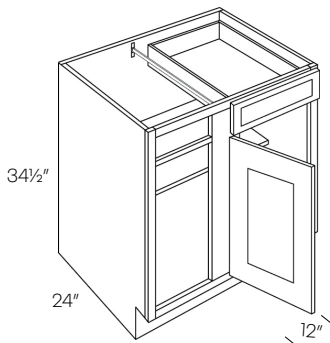
Plus Program

Item Number	Plus Program								
	A	B	C	D	M	N	O	P	
3 Drawer Base Cabinet									
DB12	1006	1067	1128	1269	1208	1281	1354	1422	
DB15	1047	1110	1172	1320	1257	1332	1407	1478	
DB18	1075	1140	1205	1355	1290	1368	1446	1519	
DB21	1109	1178	1243	1398	1331	1414	1492	1567	
DB24	1146	1216	1286	1445	1376	1460	1544	1622	
DB27	1203	1275	1348	1517	1444	1530	1618	1699	
DB30	1236	1311	1384	1559	1484	1574	1661	1745	
DB33	1297	1375	1453	1635	1557	1650	1744	1832	
DB36	1349	1431	1504	1700	1619	1718	1805	1896	

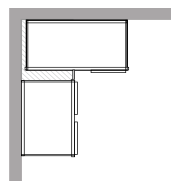
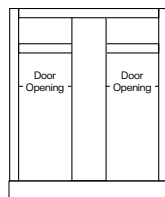


Blind Base Cabinet

BLB36/39	1100	1166	1232	1386	1320	1400	1479	1553
BLB39/42	1130	1197	1266	1424	1356	1437	1520	1596
BLB42/45	1209	1281	1354	1524	1451	1538	1625	1707
BLB45/48	1315	1395	1474	1657	1578	1674	1769	1858
BLB48/51	1415	1475	1554	1783	1698	1784	1865	1959



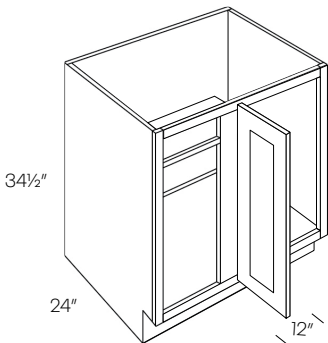
- Reversible Left or Right
- Must be pulled to the minimum position
- * Left blind shown



Cabinet	Min. Pull	Max. Pull	Actual Size	Door(s)	Door Opening
BLB36/39	36"	39"	27"	B9	6"
BLB39/42	39"	42"	33"	B12	9"
BLB42/45	42"	45"	39"	B15	12"
BLB45/48	45"	48"	42"	B18	15"
BLB48/51	48"	51"	48"	B39	16.6"

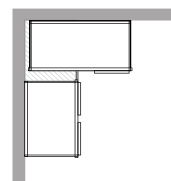
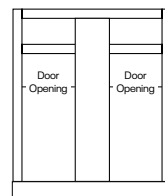
Full Height Blind Base Cabinet

BLB36/39-FH	1100	1166	1232	1386	1320	1400	1479	1553
BLB39/42-FH	1130	1197	1266	1424	1356	1437	1520	1596
BLB42/45-FH	1209	1281	1354	1524	1451	1538	1625	1707
BLB45/48-FH	1315	1395	1474	1657	1578	1674	1769	1858
BLB48/51-FH	1415	1475	1554	1783	1698	1784	1865	1959



Full Height Door

- Reversible Left or Right
- Must be pulled to the minimum position
- * Left blind shown



Cabinet	Min. Pull	Max. Pull	Actual Size	Door(s)	Door Opening
BLB36/39-FH	36"	39"	27"	B9	6"
BLB39/42-FH	39"	42"	33"	B12	9"
BLB42/45-FH	42"	45"	39"	B15	12"
BLB45/48-FH	45"	48"	42"	B18	15"
BLB48/51-FH	48"	51"	48"	B39	16.6"

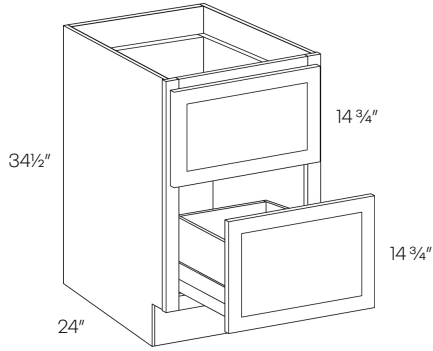
Plus Program

Item Number

A B C D M N O P

2 Drawer Base Cabinet

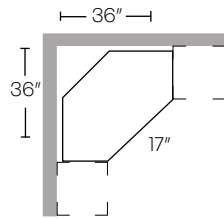
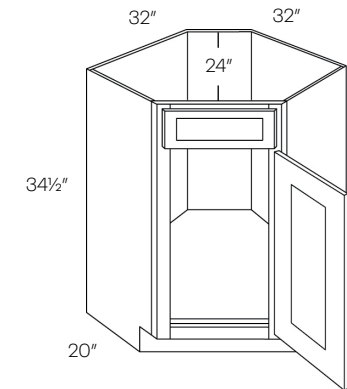
DB24-2	1146	1216	1286	1445	1376	1460	1544	1622
DB30-2	1236	1311	1384	1559	1484	1574	1661	1745
DB33-2	1297	1375	1453	1635	1557	1650	1744	1832
DB36-2	1349	1431	1504	1700	1619	1718	1805	1896



Diagonal Corner Sink Base Cabinet

CSB36	1552	1645	1738	1957	1863	1974	2086	2191
--------------	------	------	------	------	------	------	------	------

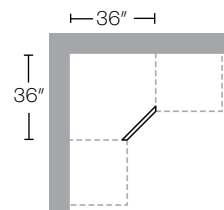
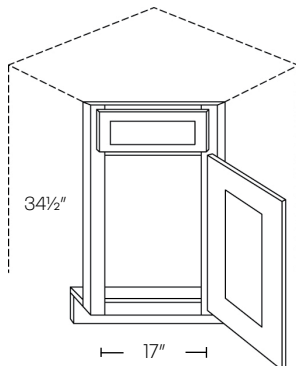
• Requires 36" X 36" wall space



Diagonal Corner Sink Front

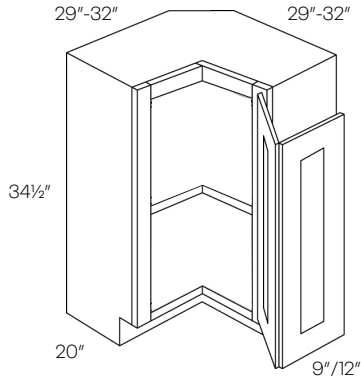
CSF36*	444	471	498	560	533	566	598	628
CSFFL36 (Floor)	155	155	155	196	186	186	186	196

*Requires 36" X 36" wall space
*Requires a floor (sold separately)

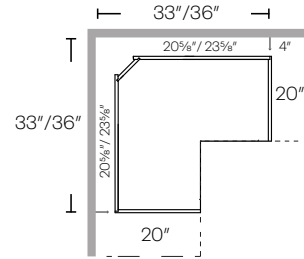


Plus Program

Item Number	Plus Program								
	A	B	C	D	M	N	O	P	
Easy Reach Corner Base Cabinet BSQC33R	1595	1692	1788	2010	1914	2031	2146	2254	
BSQC33L	1595	1692	1788	2010	1914	2031	2146	2254	
BSQC36R	1595	1692	1788	2010	1914	2031	2146	2254	
BSQC36L	1595	1692	1788	2010	1914	2031	2146	2254	

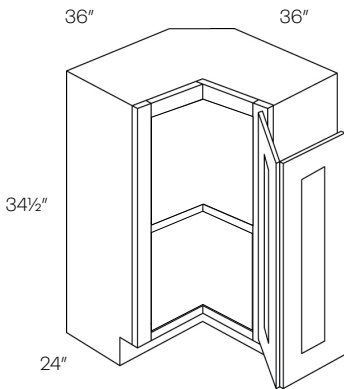


• Requires 33" X 33" / 36" X 36" wall space

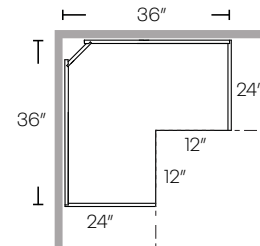


Easy Reach Corner Base Cabinet

ER36R	1765	1889	2014	2070	2178	2327	2477	2130
ERC36L	1765	1889	2014	2070	2178	2327	2477	2130

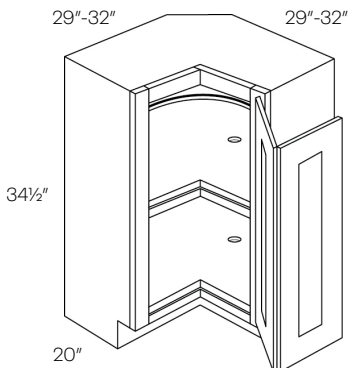


• Requires 36" X 36" wall space

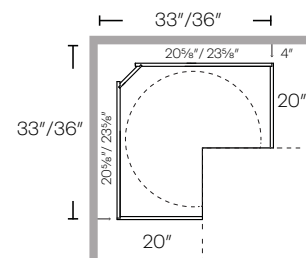


Carousel Corner Base Cabinet

CAR33R	2065	2189	2314	2602	2478	2627	2777	2916
CAR33L	2065	2189	2314	2602	2478	2627	2777	2916
CAR36R	2065	2189	2314	2602	2478	2627	2777	2916
CAR36L	2065	2189	2314	2602	2478	2627	2777	2916

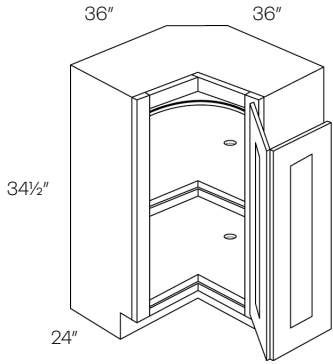


- Requires 33" X 33" / 36" X 36" wall space
- Pie is 9" X 9" / 12" X 12"
- Wooden Lazy Susan

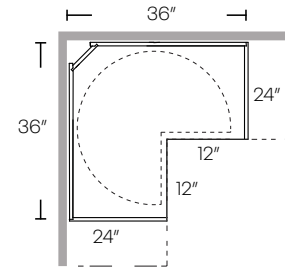


Plus Program

Item Number	Plus Program								
	A	B	C	D	M	N	O	P	
Lazy Susan Corner Base Cabinet									
LS36R	2065	2189	2314	2602	2478	2603	2777	2916	
LS36L	2065	2189	2314	2602	2478	2603	2777	2916	

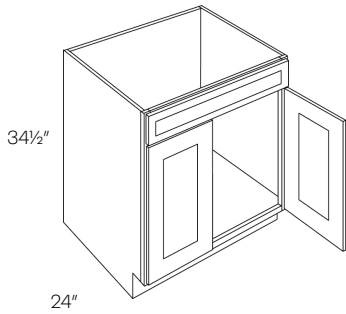


- Requires 36" X 36" wall space
- Pie is 2" X 12"
- Wooden Lazy Susan

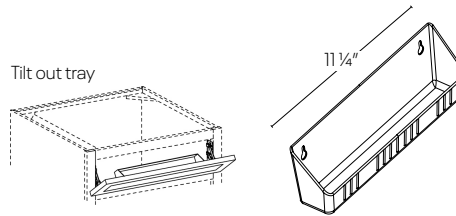


1 Drawer Front 2 Door Sink Base Cabinet

SB24	777	823	870	980	933	988	1044	1097
SB27	839	890	940	1058	1007	1068	1128	1185
TOT*	243	243	243	243	243	243	243	243

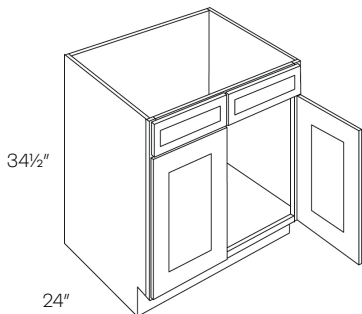


* Factory Installed

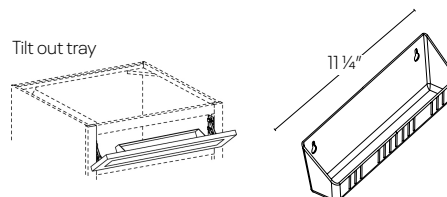


Double Drawer Front 2 Door Sink Base Cabinet

SB30	888	941	995	1120	1066	1130	1194	1254
SB33	949	1006	1062	1196	1139	1208	1275	1339
SB36	959	1017	1075	1209	1151	1221	1290	1355
SB39	1023	1084	1145	1290	1228	1301	1374	1443
SB42	1047	1110	1172	1320	1257	1332	1407	1478
TOT*	243	243	243	243	243	243	243	243

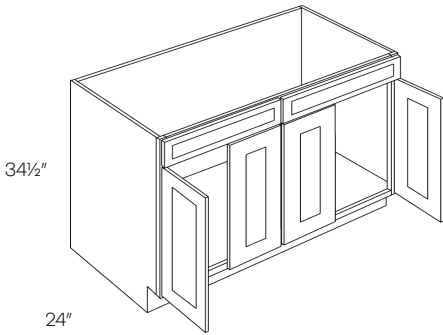


*Factory Installed
*Cabinets include two 11 1/4" tilt out trays



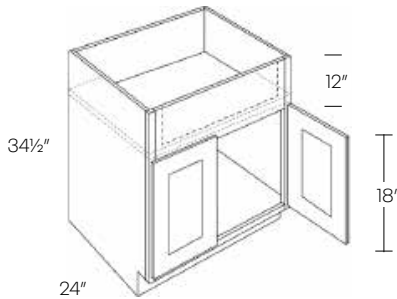
Plus Program

Item Number	Plus Program								
	A	B	C	D	M	N	O	P	
Double Drawer Front 4 Door Sink Base Cabinet	SB48	1171	1243	1313	1477	1406	1492	1576	1655



Double Door Farm Sink Base Cabinet

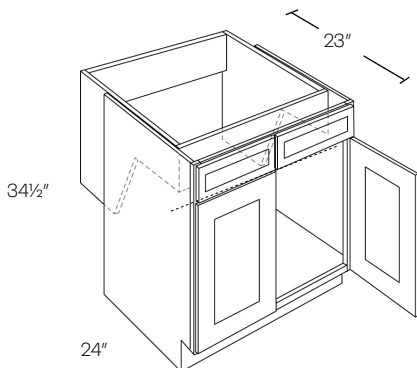
SB30-FS	944	999	1052	1190	1133	1199	1263	1327
SB33-FS	1006	1063	1120	1269	1208	1276	1344	1412
SB36-FS	1016	1075	1132	1281	1220	1290	1359	1427



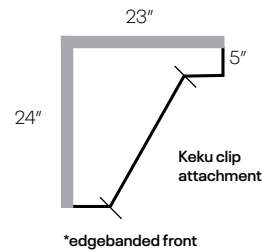
- Max trimmable 27"/30"/33" X 10"
- Trimming to be done in field
- Has a fixed platform

Double Door Handicap Removable Sink Base Cabinet

SB30-HR	1329	1410	1488	1675	1595	1692	1786	1876
SB33-HR	1386	1472	1554	1748	1664	1767	1865	1959
SB36-HR	1443	1530	1616	1819	1732	1836	1940	2037



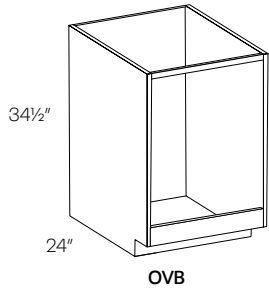
- * Factory Installed
- **Not ADA compliant



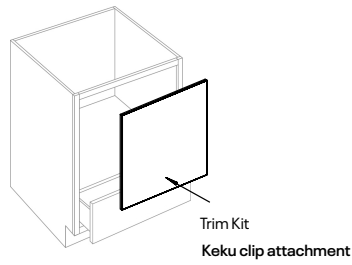
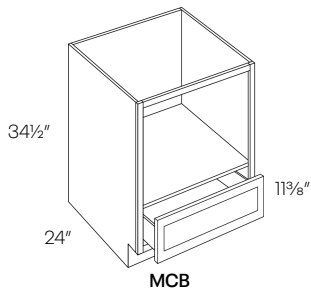
Plus Program

Item Number	Plus Program								
	A	B	C	D	M	N	O	P	
OVB30	681	721	762	859	818	866	915	961	
MCB24	1146	1216	1286	1445	1376	1460	1544	1622	
MCB24-TRM	250	250	250	315	300	300	300	315	
MCB27	1191	1264	1335	1502	1430	1517	1602	1683	
MCB27-TRM	275	275	275	347	330	330	330	347	
MCB30*	1236	1311	1384	1559	1484	1574	1661	1745	
MCB30-TRM	300	300	300	378	360	360	360	378	

Oven Base & Microwave Base Cabinet

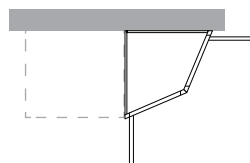
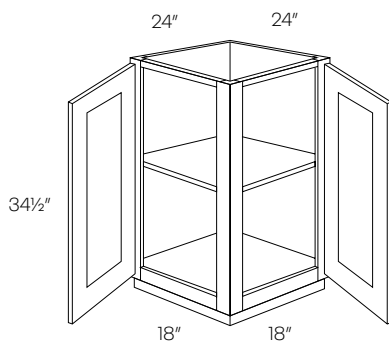


- OV front opening is 27"x27"
- MC front opening is 21"x16" / 24"x16" / 27"x16"



Base End Cabinet

BEC24	784	832	878	989	941	999	1054	1107
--------------	-----	-----	-----	-----	-----	-----	------	------



Plus Program

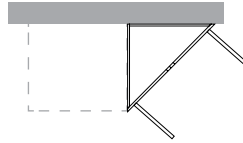
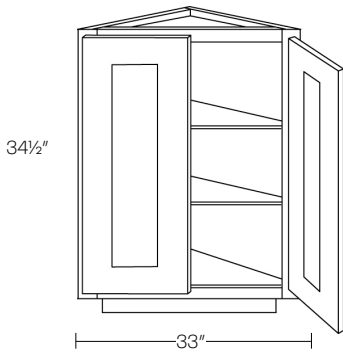
Item Number

A B C D M N O P

Straight Base End Cabinet

BECS24

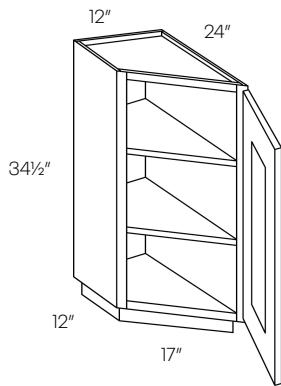
784 832 878 989 941 999 1054 1107



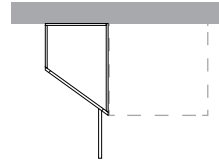
Angle Base End Cabinet

BTC2412

636 674 712 803 764 809 855 898



- Reversible
- Loose toe kick
- Hinged on 24"



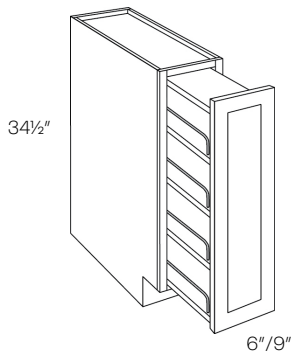
Base Spice Cabinet

BSP6

528 560 592 666 634 672 711 747

BSP9

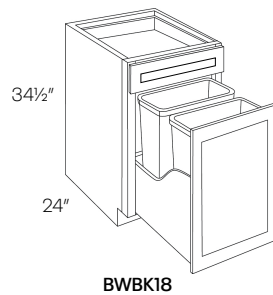
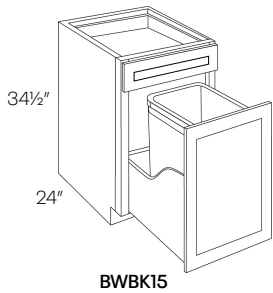
1075 1140 1205 1355 1290 1368 1446 1519



- BLUM glides not available in PLUS program

Plus Program

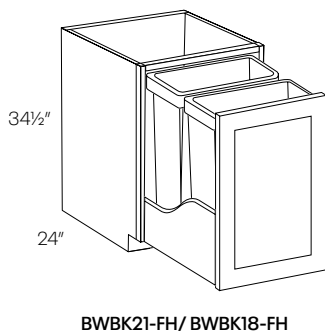
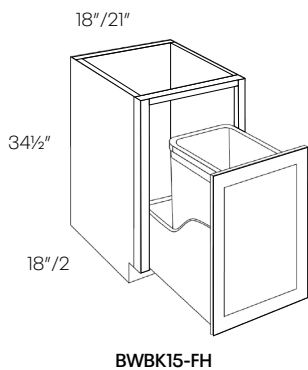
Item Number	Plus Program								
	A	B	C	D	M	N	O	P	
Waste Basket Cabinet									
BWBK15 (Single basket)	1076	1141	1206	1357	1292	1370	1448	1521	
BWBK18 (Double basket)	1140	1208	1276	1437	1368	1450	1532	1609	



- BLUM glides not available in PLUS program
- Soft-close hinges and glides
- Includes 35qt. waste basket (BK18 includes two waste baskets)
- Full Height Waste Basket includes two 50qt. waste baskets

Full Height Waste Basket Cabinet

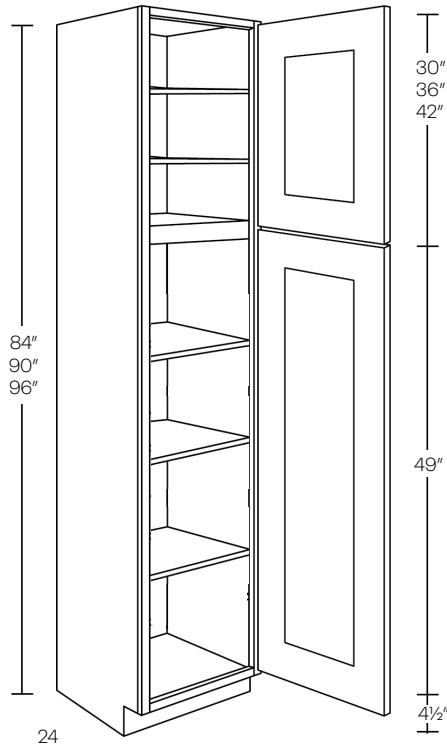
BWBK15-FH (Single basket)	1076	1141	1206	1357	1292	1370	1448	1521
BWBK18-FH (Double basket)	1140	1208	1276	1437	1368	1450	1532	1609
BWBK21-FH	1394	1477	1560	1757	1673	1773	1872	1966



- BLUM glides not available in PLUS program
- Soft-close hinges and glides
- Includes 35qt. waste basket (BK18 includes two waste baskets)
- Full Height Waste Basket includes two 50qt. waste baskets

Plus Program

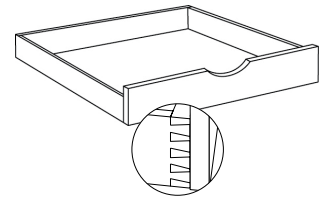
Single Door Utility Cabinet



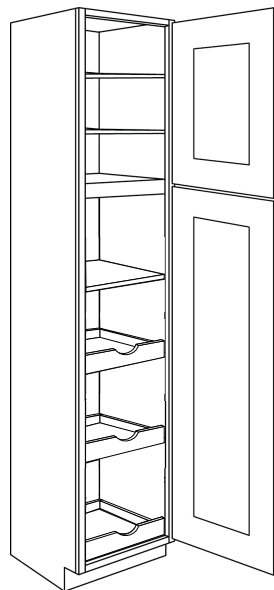
Item Number	Plus Program								
	A	B	C	D	M	N	O	P	
UC1521X84	1905	2020	2134	2401	2286	2424	2561	2690	
UC1524X84	1905	2020	2134	2401	2286	2424	2561	2690	
UC1524X90	2097	2223	2348	2643	2517	2668	2818	2959	
UC1524X96*	2306	2445	2583	2907	2768	2934	3100	3255	
UC1821X84	2007	2128	2249	2530	2409	2554	2699	2834	
UC1824X84	2007	2128	2249	2530	2409	2554	2699	2834	
UC1824X90	2102	2341	2473	2650	2523	2810	2968	3117	
UC1824X96*	2428	2575	2720	3060	2914	3090	3264	3428	
POS15-3 (factory installed)	743	743	743	743	743	743	743	743	
POS15-4 (factory installed)	1002	1002	1002	1002	1002	1002	1002	1002	
POS18-3 (factory installed)	1045	1045	1045	1045	1045	1045	1045	1045	
POS18-4 (factory installed)	1088	1088	1088	1088	1088	1088	1088	1088	

- BLUM glides not available for POS in PLUS program
- POS price is addition to cabinet list price
- POS uses dovetail construction
- POS has natural finish
- 4 bottom adjustable shelves

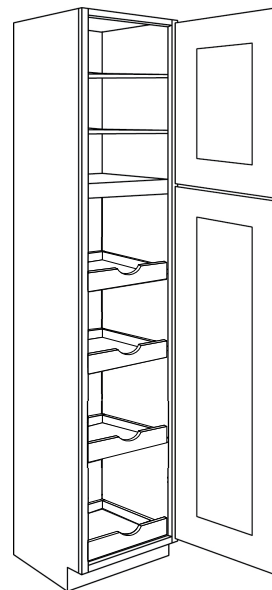
Pull Out Shelf



*84" and 90" have 2 upper shelves
 *96" has 3 upper shelves



POS-3

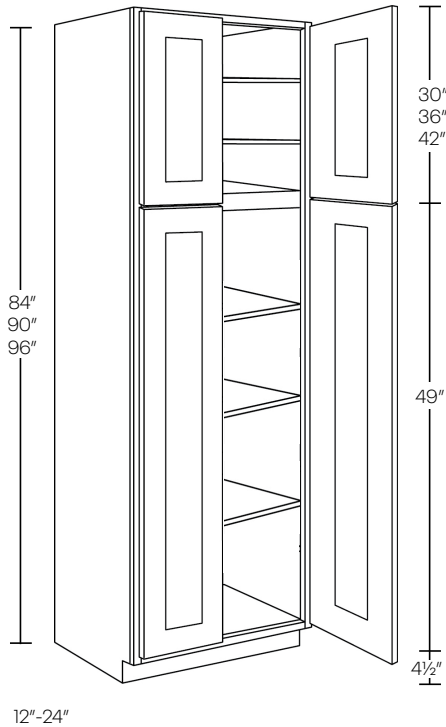


POS-4

Plus Program

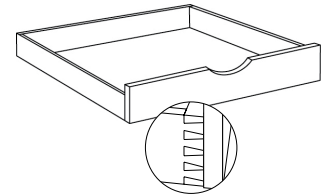
Item Number	A	B	C	D	M	N	O	P
UC2412X84	2068	2194	2317	2607	2482	2633	2781	2921
UC2412X90	2275	2412	2549	2867	2730	2895	3059	3212
UC2412X96*	2502	2653	2802	3154	3003	3184	3363	3532
UC2424X84	2344	2486	2625	2954	2813	2984	3150	3308
UC2424X90	2580	2735	2890	3251	3096	3282	3468	3642
UC2424X96*	2838	3008	3178	3577	3406	3610	3814	4005
UC3024X84	2478	2734	2889	3123	2974	3281	3467	3641
UC3024X90	2839	3009	3180	3578	3407	3611	3816	4007
UC3024X96*	3119	3307	3494	3931	3743	3969	4193	4403
POS24-3 (factory installed)	989	989	989	989	989	989	989	989
POS24-4 (factory installed)	1253	1253	1253	1253	1253	1253	1253	1253
POS30-3 (factory installed)	1301	1301	1301	1301	1301	1301	1301	1301
POS30-4 (factory installed)	1349	1349	1349	1349	1349	1349	1349	1349

Double Door Utility Cabinet

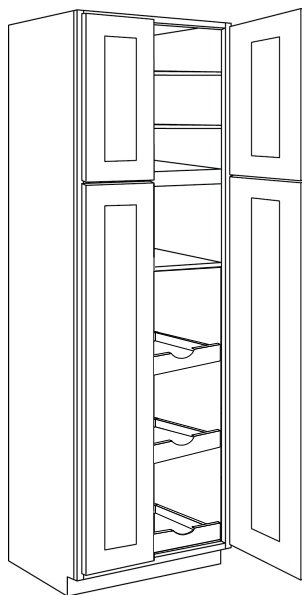


- BLUM glides not available for POS in PLUS program
- POS price is addition to cabinet list price
- POS uses dovetail construction
- POS has natural finish
- 4 bottom adjustable shelves
- POS only available in 24" deep

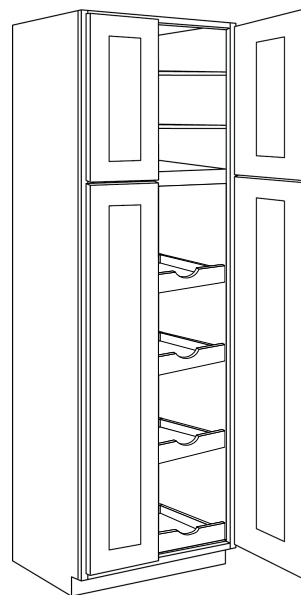
Pull Out Shelf



*84" and 90" have 2 upper shelves
 *96" has 3 upper shelves



POS-3

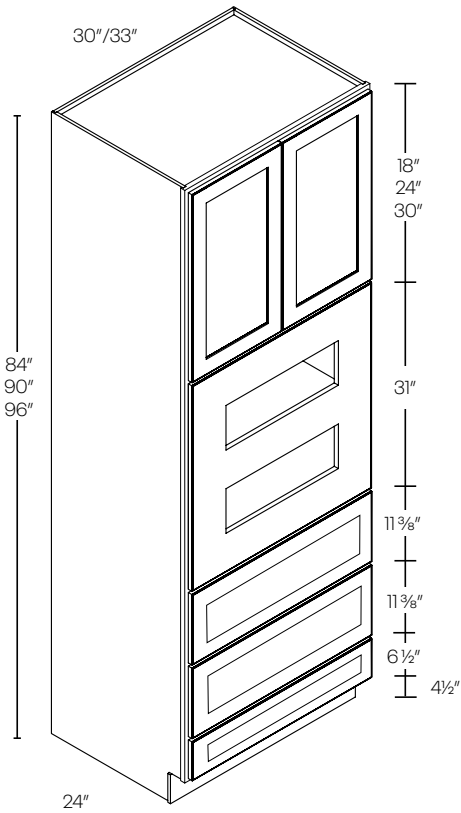


POS-4

Plus Program

Item Number	Plus Program								
	A	B	C	D	M	N	O	P	
OV3084	2397	2541	2685	3021	2877	3050	3222	3384	
OV3090	2547	2701	2852	3210	3057	3242	3423	3595	
OV3096*	2694	2855	3017	3395	3233	3426	3621	3803	
OV3384	2493	2643	2792	3142	2992	3172	3351	3519	
OV3390	2648	2807	2967	3337	3178	3369	3561	3740	
OV3396**	2801	2970	3138	3531	3362	3564	3766	3955	
OV30-TRM	500	500	500	441	420	420	420	441	
OV33-TRM	540	540	540	467	444	444	444	467	

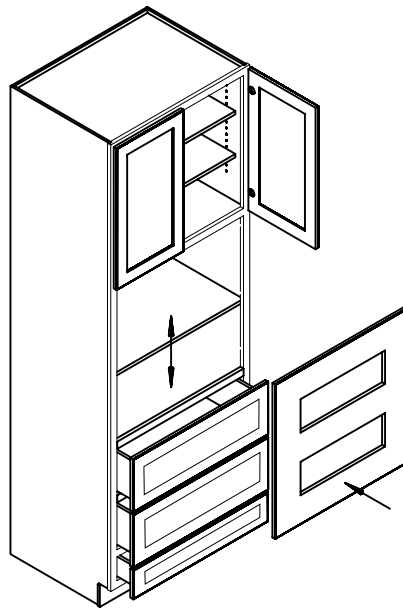
Single Oven Cabinet



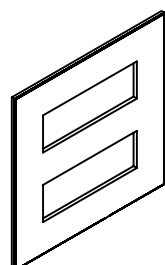
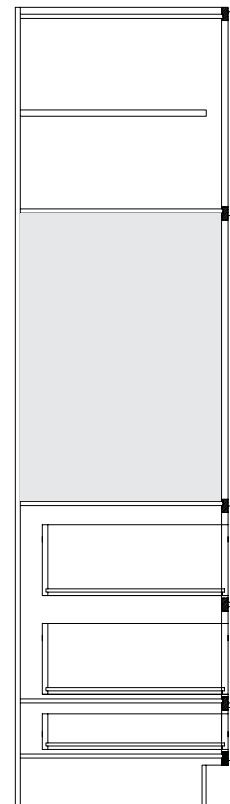
- Trimming to be done in field
- 84" and 90" has 1 upper shelves
- 96" has 2 upper shelves
- Remove drawers and floor as needed
- Center panel included

*Maximum cut out width is 27" wide on 30"
 **Maximum cut out width is 30" wide on 33"

Assembly



Side

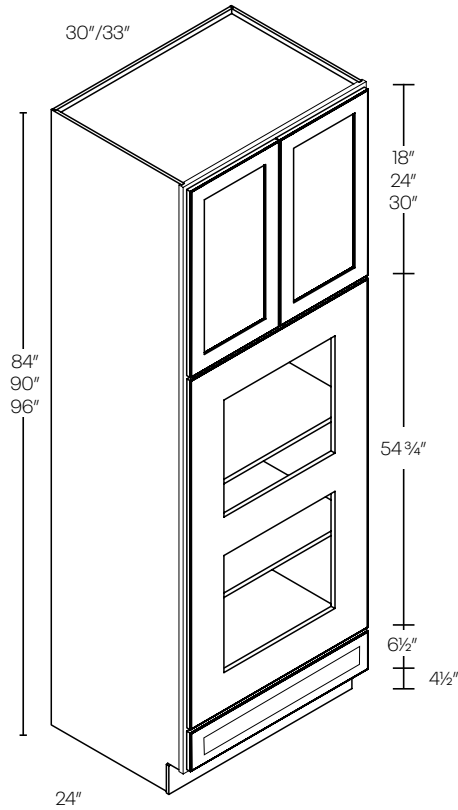


Trim Kit
 Keku clip attachment

Plus Program

Item Number	Plus Program								
	A	B	C	D	M	N	O	P	
OVD3084	2397	2541	2685	3021	2877	3050	3222	3384	
OVD3090	2547	2701	2852	3210	3057	3242	3423	3595	
OVD3096*	2694	2855	3017	3395	3233	3426	3621	3803	
OVD3384	2493	2643	2792	3142	2992	3172	3351	3519	
OVD3390	2648	2807	2967	3337	3178	3369	3561	3740	
OVD3396*	2801	2970	3138	3531	3362	3564	3766	3955	
OVD30-TRM	500	500	500	630	600	600	600	630	
OVD33-TRM	540	540	540	681	648	648	648	681	

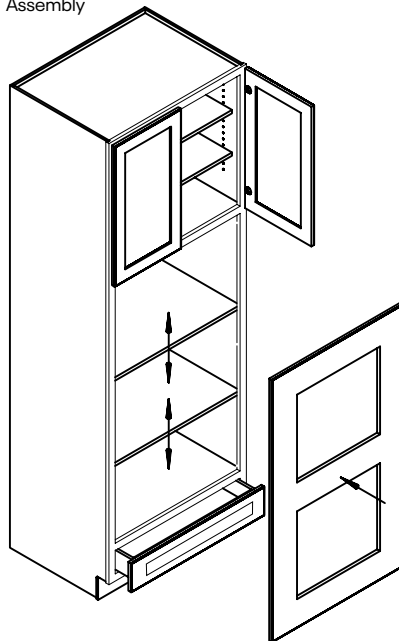
Double Oven Cabinet



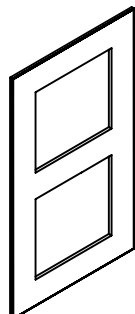
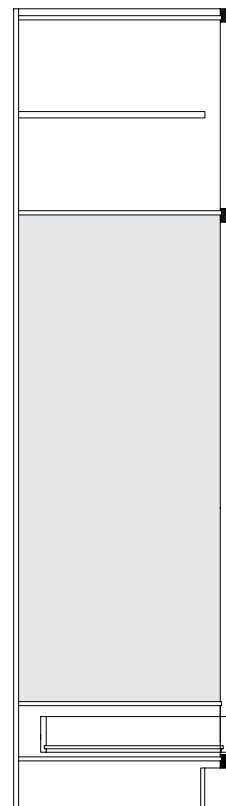
- Trimming to be done in field
- Shelves need to be adjusted and secured with screws
- 84" ad 90" has 1 upper shelves
- 96" has 2 upper shelves
- Center panel included

*Maximum cut out width is 27" wide on 30"
 **Maximum cut out width is 30" wide on 33"

Assembly



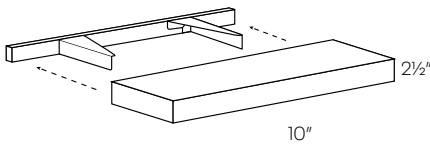
Side



Trim Kit
 Keku clip attachment

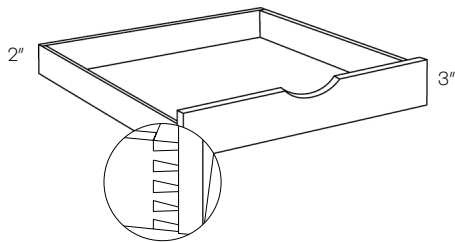
Plus Program

Item Number	Plus Program								
	A	B	C	D	M	N	O	P	
Floating Shelves									
F-SHELF-24	483	483	483	609	580	580	580	609	
F-SHELF-30	576	576	576	727	692	692	692	727	
F-SHELF-36	668	668	668	843	802	802	802	843	
F-SHELF-42	760	760	760	958	912	912	912	958	



• Mounting hardware included

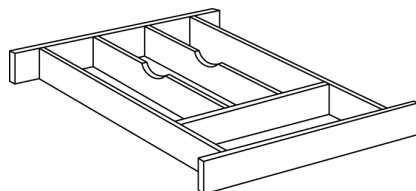
Pull Out Shelf



POS12	198	198	198	198	198	198	198	198
POS15	207	207	207	207	207	207	207	207
POS18	228	228	228	228	228	228	228	228
POS21	240	240	240	240	240	240	240	240
POS24	271	271	271	271	271	271	271	271
POS27	282	282	282	282	282	282	282	282
POS30	294	294	294	294	294	294	294	294
POS33	307	307	307	307	307	307	307	307
POS36	329	329	329	329	329	329	329	329
POS42	345	345	345	345	345	345	345	345

- Ball bearing soft-close glides included
- POS uses dovetail construction with a natural finish
- Natural finish

Wooden Cutlery Divider



WCD-14	202	202	202	202	202	202	202	202
WCD-16	215	215	215	215	215	215	215	215
WCD-25	223	223	223	223	223	223	223	223
WCD-7	242	242	242	242	242	242	242	242

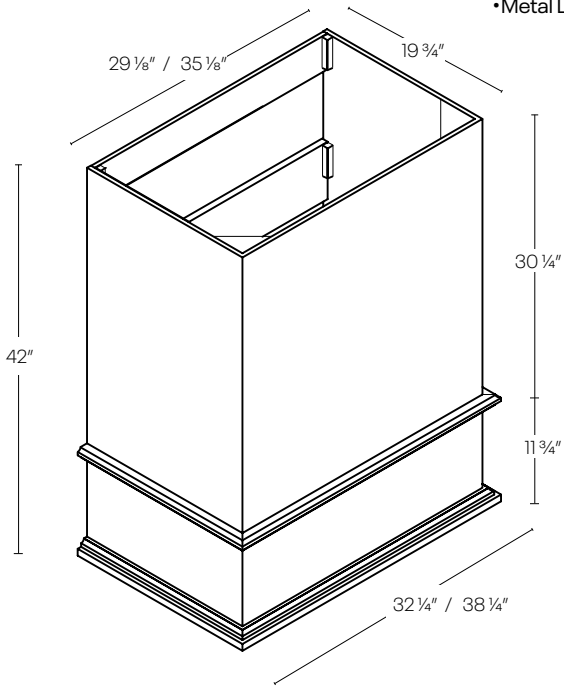
- To be trimmed on site
- * Need to buy 2 pieces

WCD-14	B33*, B39*, BLB48/51
WCD-16	B15, B18, B21, B36*
WCD-25	B24, B27, DB30
WCD-7	B12, BLB39/42

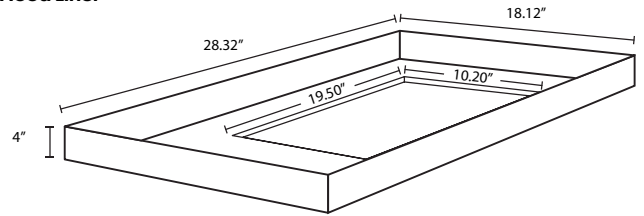
Plus Program

Item Number	Plus Program								
	A	B	C	D	M	N	O	P	
Boxed Wood Hood									
WHB30	2500	2500	2500	3150	3000	3000	3000	3150	
WHB36	3000	3000	3000	3780	3600	3600	3600	3780	

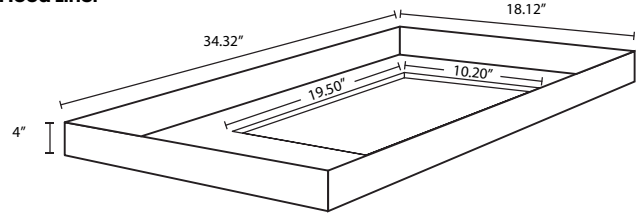
•Metal Liners Included



30" Hood Liner



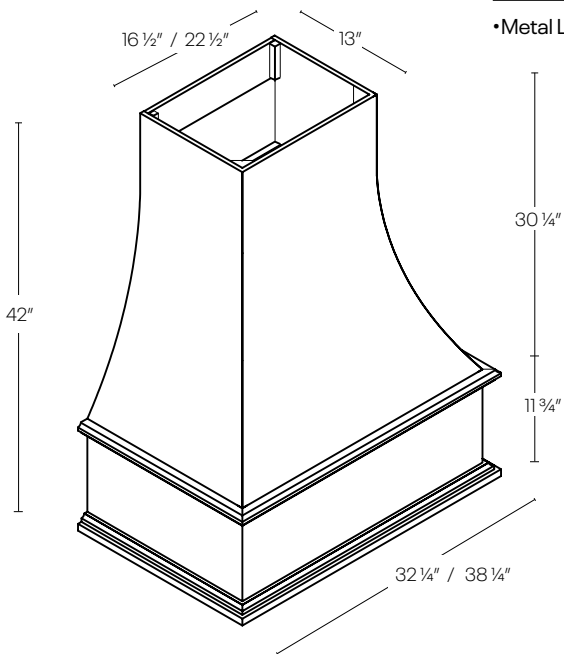
36" Hood Liner



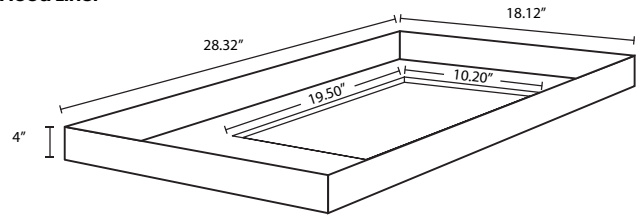
Coved Wood Hood

WHC30	2500	2500	2500	3150	3000	3000	3000	3150
WHC36	3000	3000	3000	3780	3600	3600	3600	3780

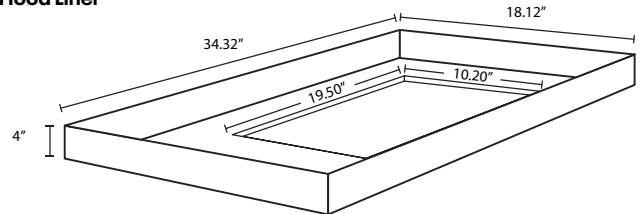
•Metal Liners Included



30" Hood Liner

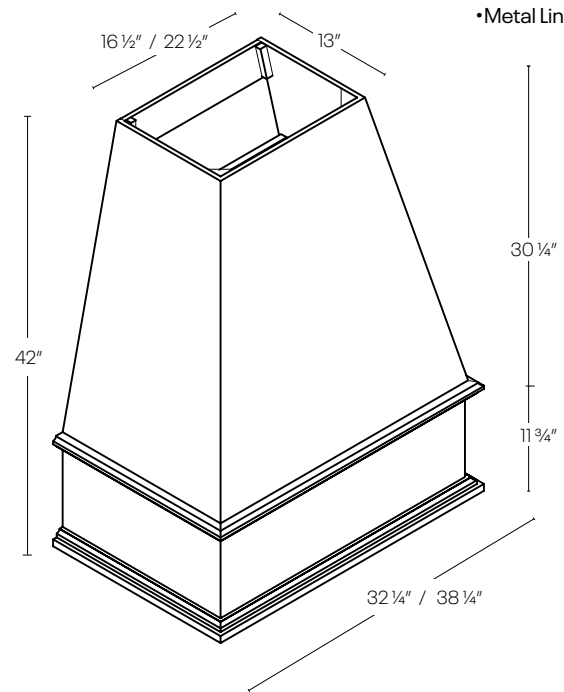


36" Hood Liner



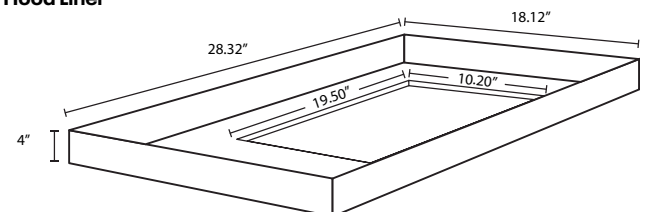
Plus Program

Item Number	Plus Program								
	A	B	C	D	M	N	O	P	
Sloped Wood Hood									
WHS30	2500	2500	2500	3150	3000	3000	3000	3150	
WHS36	3000	3000	3000	3780	3600	3600	3600	3780	

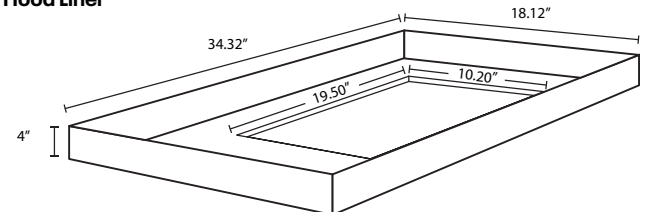


•Metal Liners Included

30" Hood Liner

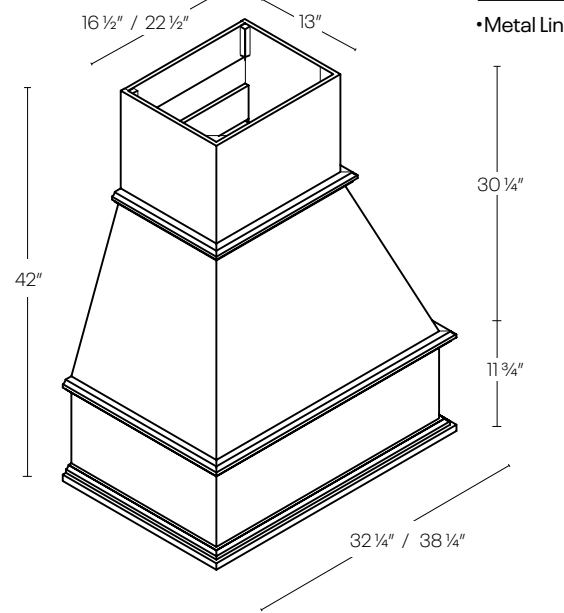


36" Hood Liner



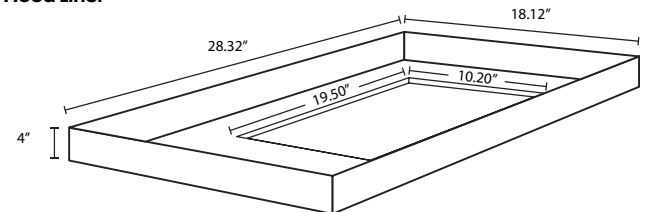
Traditional Wood Hood

WHT30	2500	2500	2500	3150	3000	3000	3000	3150
WHT36	3000	3000	3000	3780	3600	3600	3600	3780

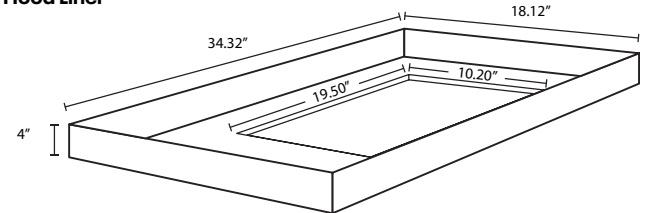


•Metal Liners Included

30" Hood Liner



36" Hood Liner



Plus Program

Item Number

A

B

C

D

M

N

O

P

Single Door Vanity Sink Base Cabinet

VB12

525

551

579

768

731

731

807

848

VB15

550

578

604

803

764

764

843

886

VB18

576

605

636

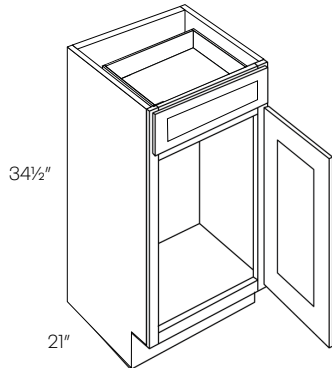
836

796

796

878

922



Double Door Vanity Sink Base Cabinet

V24

718

761

805

906

862

914

966

1015

V27

766

812

853

966

920

920

1024

1076

V30

814

864

913

1026

977

1037

1096

1151

V33

857

929

955

1081

1029

1029

1146

1204

V36

900

954

1008

1134

1080

1145

1210

1271

V42

1002

1049

1102

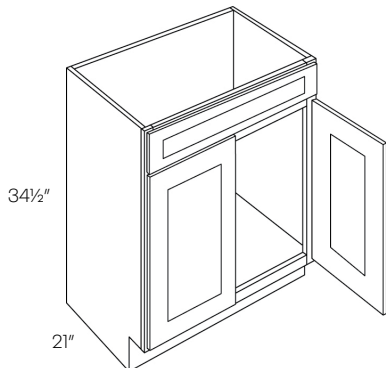
1263

1203

1259

1323

1390



1 Door 2 Drawer Vanity Sink Base Cabinet

V30DL

1146

1216

1286

1445

1376

1460

1544

1622

V30DR

1146

1216

1286

1445

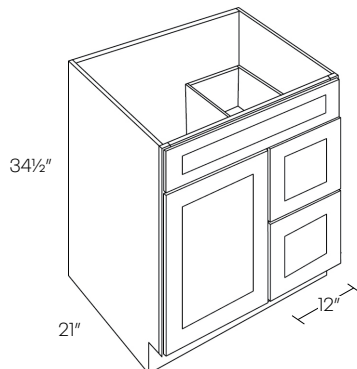
1376

1460

1544

1622

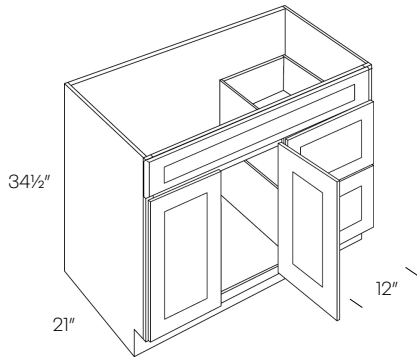
• Right Drawer Shown



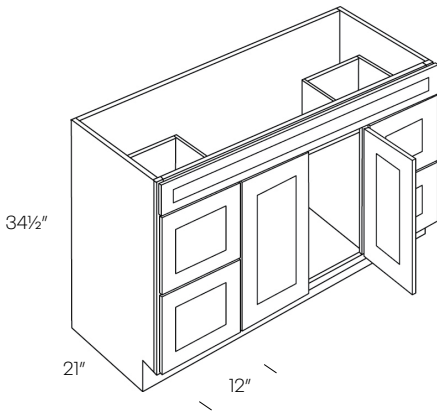
Plus Program

Item Number	Plus Program								
	A	B	C	D	M	N	O	P	
2 Door 2 Drawer Vanity Sink Base Cabinet									
V36DL	1178	1247	1318	1485	1414	1497	1582	1662	
V36DR	1178	1247	1318	1485	1414	1497	1582	1662	
V42DL	1317	1397	1476	1661	1581	1677	1772	1861	
V42DR	1317	1397	1476	1661	1581	1677	1772	1861	

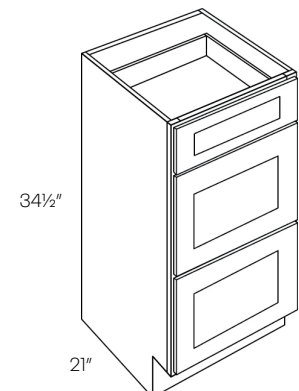
• Right Drawer Shown



Double Door 4 Drawer Vanity Sink Base Cabinet	V48DD	1434	1520	1606	1808	1721	1824	1928	2025
--	-------	------	------	------	------	------	------	------	------



Vanity Drawer Base Cabinet	VDB12	907	939	1028	1144	1089	1127	1234	1296
	VDB15	947	1003	1060	1194	1137	1204	1272	1336
	VDB18	968	1026	1084	1221	1162	1232	1301	1367
	VDB21	1010	1061	1114	1273	1212	1274	1337	1404
	VDB24	1055	1108	1164	1330	1266	1330	1397	1467

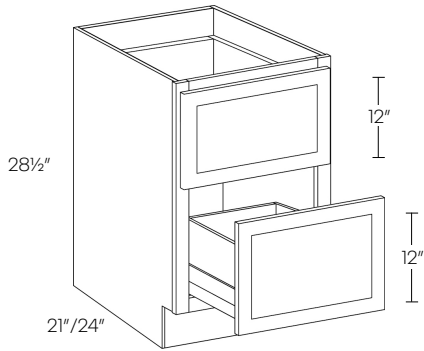


Plus Program

Item Number

A B C D M N O P

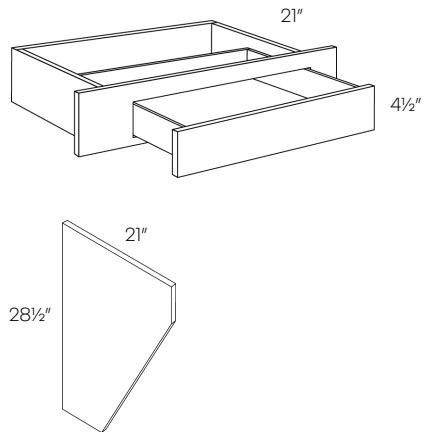
Desk Cabinet



Item Number	A	B	C	D	M	N	O	P
DDC18x21	969	1026	1084	1222	1163	1232	1301	1367
DDC18x24	1075	1140	1208	1355	1290	1368	1450	1523

• Does not hold files

Desk Drawer



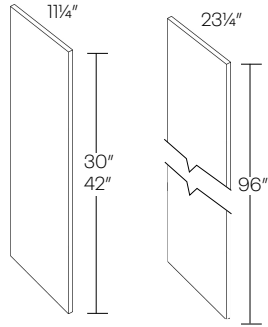
Item Number	A	B	C	D	M	N	O	P
DD30	319	338	357	403	383	406	429	451
DS	203	203	203	257	244	244	244	257

- 2 1/2" trimmable sides
- Drawer front is 22 1/2" wide
- Slab drawer front
- DS is 21"

Plus Program

Item Number	Plus Program								
	A	B	C	D	M	N	O	P	
FS30	107	107	107	136	129	129	129	136	
FS42	149	149	149	188	179	179	179	188	
FS9624	283	283	283	357	340	340	340	357	
FSB	139	139	139	176	166	166	166	176	
FSV	139	139	139	175	166	166	166	175	

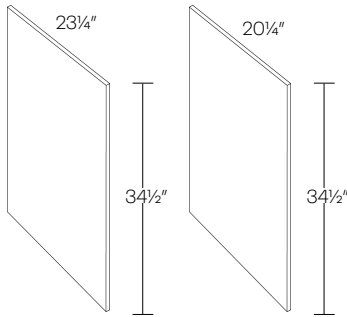
Finished Skin



FS30/FS42

FS9624

• 1/4" Thick

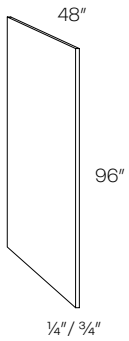


FSB

FSV

Plywood Panel

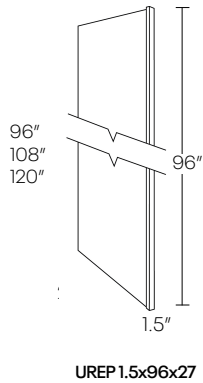
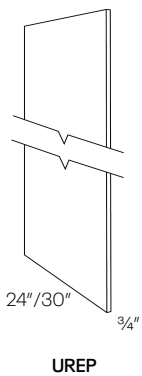
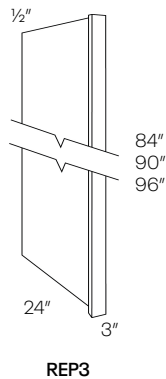
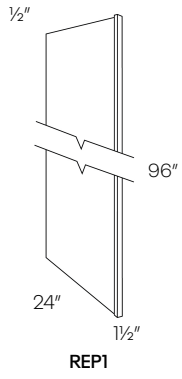
PLY4X8.25	410	410	410	517	492	492	492	517
PLY4X8.75	1323	1323	1323	1669	1588	1588	1588	1669



Plus Program

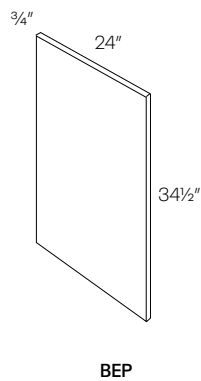
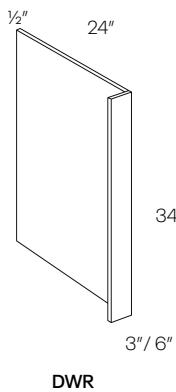
Item Number	Plus Program							
	A	B	C	D	M	N	O	P
Refrigerator End Panel								
REP196	518	518	518	654	622	622	622	654
REP384	470	470	470	593	564	564	564	593
REP390	494	494	494	623	593	593	593	623
REP396	518	518	518	654	622	622	622	654
UREP24	361	361	361	456	434	434	434	456
UREP30	480	480	480	605	576	576	576	605
UREP24-9	406	406	406	513	488	488	488	513
UREP30-9	540	540	540	681	648	648	648	681
UREP24-10	457	457	457	577	549	549	549	577
UREP30-10	608	608	608	767	730	730	730	767
UREP1.5x96x27	540	540	540	675	648	648	648	675

• Finished on one side



Dishwasher Return Panel

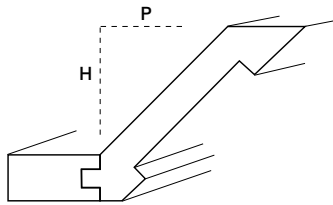
DWR1	272	272	272	299	327	327	327	299
DWR3	272	272	272	344	327	327	327	344
DWR6	302	302	302	382	363	363	363	382
BEP	238	238	238	301	286	286	286	301



Plus Program

Item Number	Plus Program								
	A	B	C	D	M	N	O	P	
Full Overlay Crown Moldings									
MFLOCR	400	400	400	501	477	477	477	501	

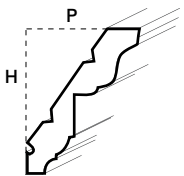
• 8 Feet long



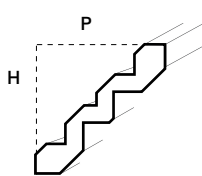
MFLOCR
Height: 3/2"
Projection: 2 1/2"

Royal Crown Molding	RCRM	397	397	397	N/A	477	477	477	N/A
	RCRMS	397	397	397	N/A	477	477	477	N/A
	RCRMC	397	397	397	501	477	477	477	501
	RCRMR	397	397	397	501	477	477	477	501

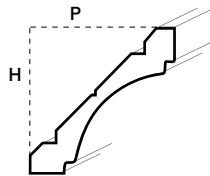
• 8 Feet long



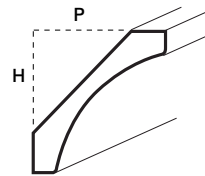
RCRM
Height: 3/2"
Projection: 2 1/2"



RCRMS
Height: 3/8"
Projection: 3/8"



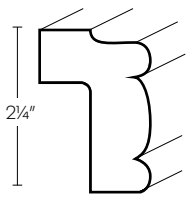
RCRMC
Height: 3/8"
Projection: 3/8"



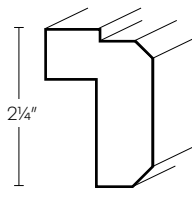
RCRMR
Height: 3 1/4"
Projection: 3 1/4"

Light Rail Molding	LTRM	275	275	275	N/A	330	330	330	N/A
	LTRMS	275	275	275	N/A	330	330	330	N/A
	LTRMI	207	207	207	262	249	249	249	262

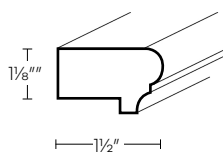
• 8 Feet long



LTRM



LTRMS

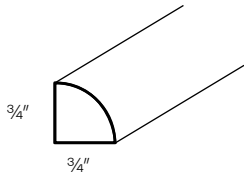


LTRMI

Plus Program

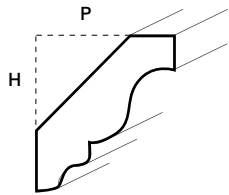
Item Number	Plus Program									
	A	B	C	D	M	N	O	P		
Shoe Molding	SHM									
	119	119	119	151	143	143	143	151		

• 8 Feet long

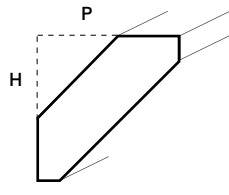


Crown Moldings	Crown Molding									
	CRM	141	141	141	N/A	170	170	170	N/A	
	CRMS									
	141	141	141	N/A	170	170	170	N/A		

• 8 Feet long



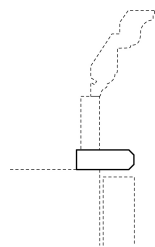
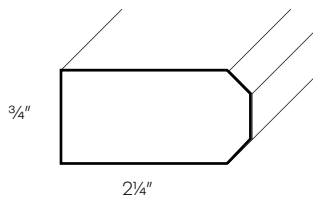
CRM
Height: 2"
Projection: 2"



CRMS
Height: 2"
Projection: 2"

Trim Molding	Trim Molding									
	TBMS	130	130	130	164	156	156	156	164	
	Trim Molding									

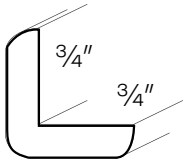
• 8 Feet long



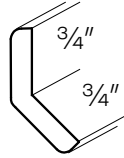
*Suggested use

Plus Program

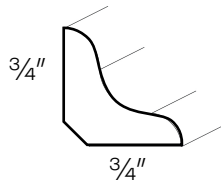
Item Number	Plus Program								
	A	B	C	D	M	N	O	P	
Corner Molding									
OCM	107	107	107	136	129	129	129	136	
OCM135	107	107	107	136	129	129	129	136	
ICM	107	107	107	136	129	129	129	136	



OCM



OCM135

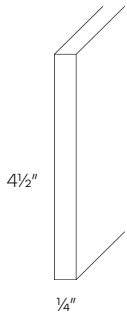


ICM

Toe Kick

TKS	89	89	89	113	107	107	107	113
-----	----	----	----	-----	-----	-----	-----	-----

• 8 Feet long

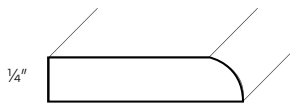


Scribe / Batten Molding

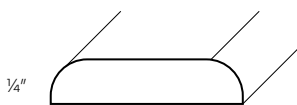
SCM	87	87	87	111	105	105	105	111
-----	----	----	----	-----	-----	-----	-----	-----

BAT	87	87	87	111	105	105	105	111
-----	----	----	----	-----	-----	-----	-----	-----

• 8 Feet long



SCM

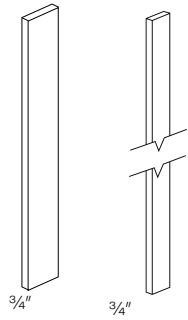


BAT

Plus Program

Item Number	Plus Program								
	A	B	C	D	M	N	O	P	
F330	52	52	52	67	63	63	63	67	
F630	89	89	89	113	107	107	107	113	
F342	68	68	68	87	82	82	82	87	
F642	120	120	120	152	144	144	144	152	
F396	160	160	160	202	192	192	192	202	
F696	265	265	265	334	318	318	318	334	

Filler



F330/F630/
F342/F642

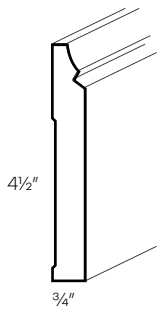
F396/F696

• Fillers finished on all 4 sides

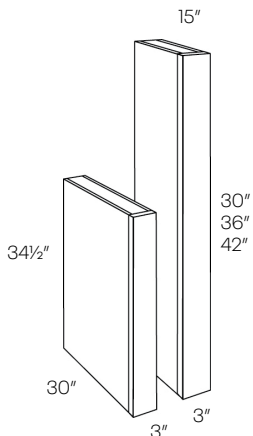
Base Molding

BSMS	283	283	283	357	340	340	340	357
------	-----	-----	-----	-----	-----	-----	-----	-----

• 8 Feet long



Column



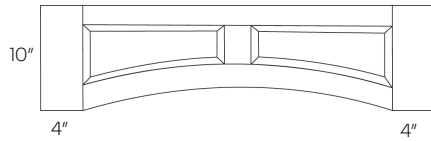
CLM-B30 (34 1/2"H X 30"D)	451	451	451	570	542	542	542	570
CLM-30X15 (30"H X 15"D)	228	228	228	288	274	274	274	288
CLM-36X15 (36"H X 15"D)	255	255	255	322	306	306	306	322
CLM-42X15 (42"H X 15"D)	283	283	283	357	340	340	340	357

• Trimmable
• Finished 3 sides

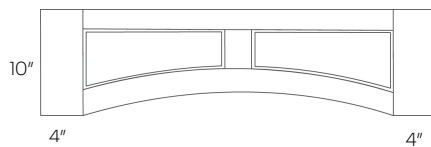
Plus Program

Item Number	Plus Program								
	A	B	C	D	M	N	O	P	
Arched Valance									
VALP-36	238	238	238	N/A	286	286	286	N/A	
VALP-42	264	264	264	N/A	317	317	317	N/A	
VALP-48	300	300	300	N/A	360	360	360	N/A	
VALP-60	353	353	353	N/A	424	424	424	N/A	
VALPR-36	238	238	238	N/A	286	286	286	N/A	
VALPR-42	264	264	264	N/A	317	317	317	N/A	
VALPR-48	300	300	300	N/A	360	360	360	N/A	
VALPR-60	353	353	353	N/A	424	424	424	N/A	

Arched Valance



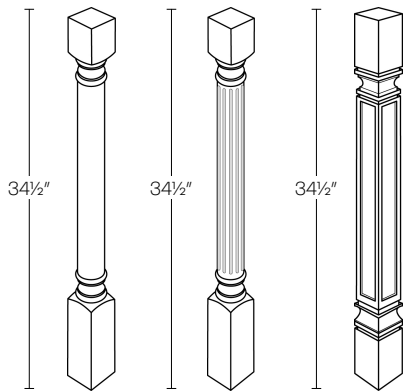
VALP - Raised panel



VALP - Flat panel

• 2" Trimmable on both sides

Post



POST-P

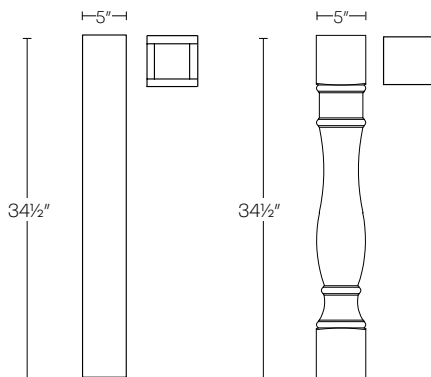
POST-F

POST-S

POST-P	683	683	683	N/A	820	820	820	N/A
POST-F	735	735	735	N/A	882	882	882	N/A
POST-S	1103	1103	1103	1391	1324	1324	1324	1391

• 3" X 3"

Large Post



POST5-C

POST5-R

POST5-C	887	887	887	1119	1065	1065	1065	1119
POST5-R	992	992	992	N/A	1191	1191	1191	N/A

• 5" X 5"

Plus Program

Item Number	Plus Program								
	A	B	C	D	M	N	O	P	
Corner Post									
POST-P-CR	392	392	392	N/A	471	471	471	N/A	
POST-F-CR	392	392	392	N/A	471	471	471	N/A	
POST-S-CR	392	392	392	495	471	471	471	495	

34 1/2" 34 1/2" 34 1/2"

POST-P-CR POST-F-CR POST-S-CR

• 3" X 3"

CAB CAB CAB

Corner Post

Spindle									
SPIN-P-30	203	203	203	N/A	244	244	244	N/A	
SPIN-P-36	259	259	259	N/A	311	311	311	N/A	
SPIN-P-42	300	300	300	N/A	360	360	360	N/A	
SPIN-F-30	203	203	203	N/A	244	244	244	N/A	
SPIN-F-36	259	259	259	N/A	311	311	311	N/A	
SPIN-F-42	300	300	300	N/A	360	360	360	N/A	
SPIN-S-30	203	203	203	N/A	244	244	244	N/A	
SPIN-S-36	259	259	259	N/A	311	311	311	N/A	
SPIN-S-42	300	300	300	N/A	360	360	360	N/A	

2 1/2" 2 1/2" 2 1/2"

SPIN-P SPIN-F SPIN-S

• To be applied on top of filler (not included)

Bun Feet								
BUN-P	111	111	111	N/A	134	134	134	N/A
BUN-F	116	116	116	N/A	140	40	40	N/A

3" 4 1/2"

Plain

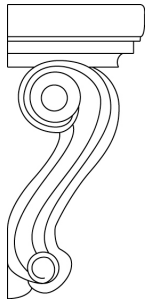
3" 4 1/2"

Fluted

Plus Program

Item Number	Plus Program								
	A	B	C	D	M	N	O	P	
CBO6	382	382	382	N/A	459	459	459	N/A	
CBO9	430	430	430	N/A	516	516	516	N/A	
CBO13	512	512	512	N/A	615	615	615	N/A	
CBM6	382	382	382	N/A	459	459	459	N/A	
CBM9	430	430	430	N/A	516	516	516	N/A	
CBM13	512	512	512	N/A	615	615	615	N/A	
CBS6	100	100	100	126	120	120	120	126	
CBS10	139	139	139	176	167	167	167	176	

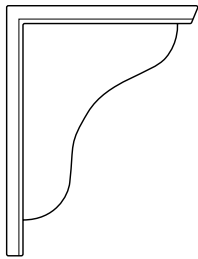
Corbel



CBO



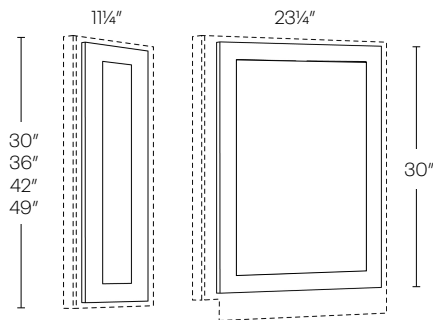
CBM



CBS

	W	D	H
CBO6	3"	3 ⁵ / ₈ "	6"
CBO9	4 ³ / ₄ "	3 ⁵ / ₈ "	9"
CBO13	4 ³ / ₄ "	6"	13"
CBM6	3"	3 ¹ / ₂ "	6"
CBM9	4 ¹ / ₂ "	4 ¹ / ₂ "	9"
CBM13	4 ¹ / ₂ "	6"	13"
CBS6	3"	3 ¹ / ₂ "	6 ¹ / ₂ "
CBS10	3"	7 ¹ / ₂ "	10 ¹ / ₂ "

Decorative End



WDE12

BDE24

WDE1230	175	185	197	249	237	237	237	249
WDE1236	249	264	279	352	335	335	335	352
WDE1242	292	310	329	415	395	395	395	415
WDE1250	361	383	405	511	486	486	486	511
BDE24	420	446	471	595	566	566	566	595

• Use finished skin to flush with frame

Plus Program

Item Number

A

B

C

D

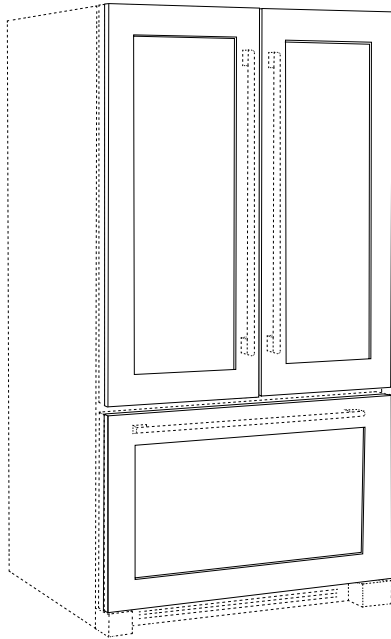
M

N

O

P

Refrigerator Door



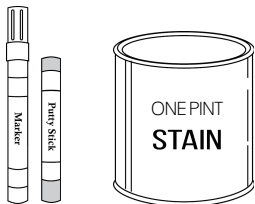
Custom Decorative Panel*

- - -

- Customer must provide drawings and dimensions for custom price quote and lead time
- Can not be combined with existing quote
- Custom Decorative Panels will have an extended lead time

* Doors are made custom, please provide accurate drawings with your order

Touch Up Kit

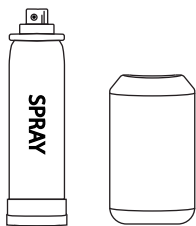


TUP

TUP-PINT

TUP	100	100	100	120	120	120	120	120
TUP-PINT	118	118	118	123	123	123	123	123
CHW-UNI-AERSOL-SPRAY	100	100	100	100	100	100	100	100

- TUP-PINT is not available in the Stone finish
- *Must purchase TUP-PINT with Aerosol Spray

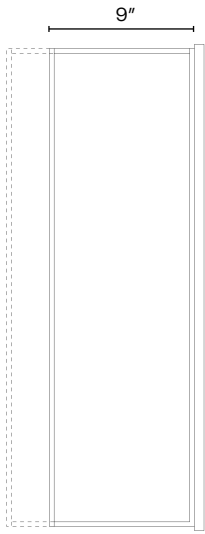


CHW-UNI-AERSOL-SPRAY

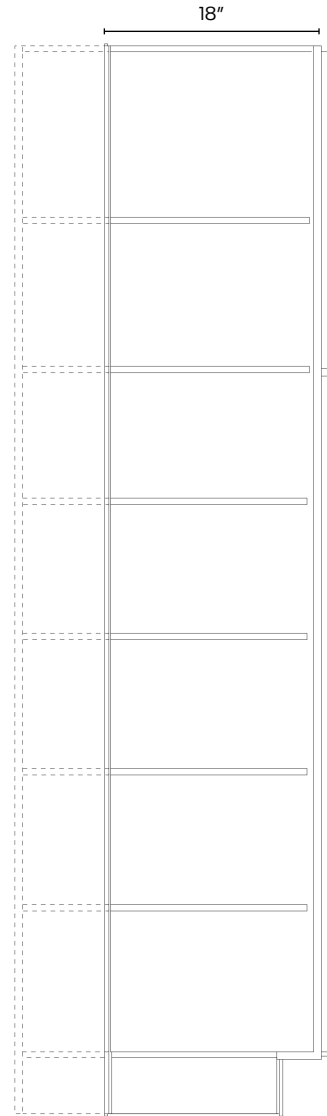
Modifications & Upgrades



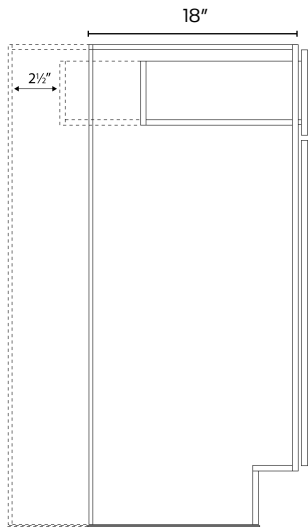
Concord Collection



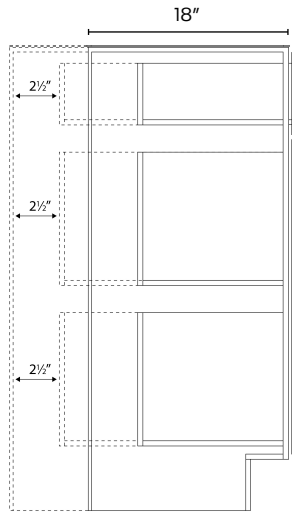
Wall Cabinet



Tall Cabinet



Base Cabinet

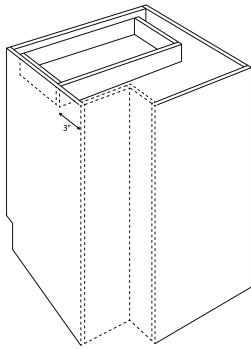


Drawer Base Cabinet

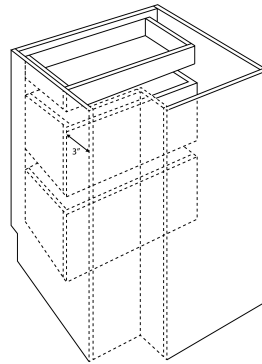
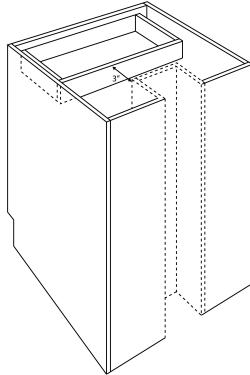
*Dovetail not in back

Cut Down Depth	Description	List Price
CT-BCUT*	Base cabinet, cut down depth	400
CT-DBCUT*	Drawer base cabinet, cut down depth	500
CT-TCUT*	Tall cabinet, cut down depth	500
CT-WCUT**	Wall cabinet, cut down depth	400

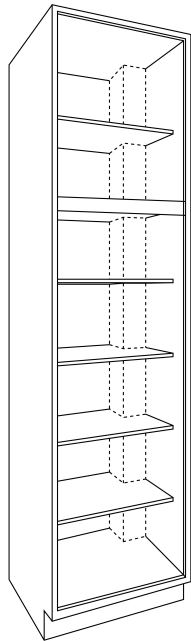
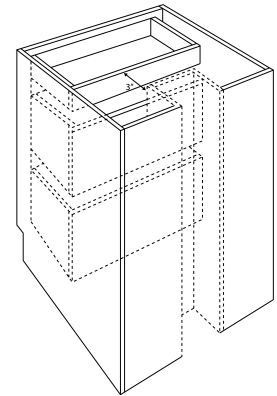
*Can be cut down to 9", 12", 15", 18" & 21" | **Can be cut down to 6", 9" & 11"
 *All 9" Base Cabinets will have a dummy drawer front



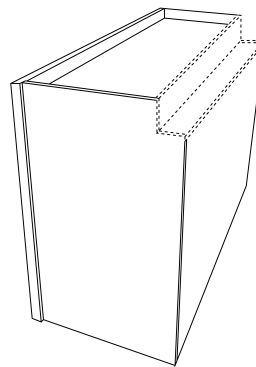
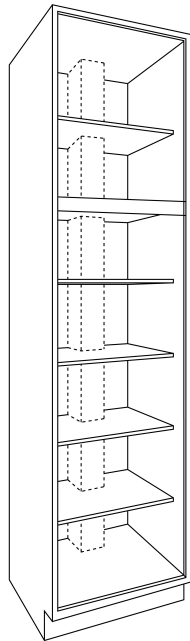
Base Cabinet



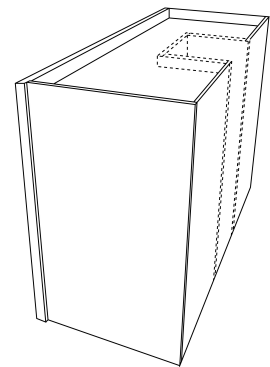
Drawer Base Cabinet



Tall Cabinet



Wall Cabinet

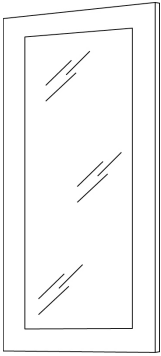


Chase Cuts	Description	List Price
CT-BCHASE	Base cabinet, chase cut	700
CT-DBCHASE	Drawer base cabinet, chase cut	900
CT-TCHASE	Tall cabinet, chase cut	900
CT-WCHASE	Wall cabinet, chase cut	600

- Non-stock cabinets, parts including doors and drawers, custom modifications, wood hoods and countertops (post form and self-edge) are not returnable.
- Must provide accurate drawings with your order
- Only available in NorthEast

Item	Description	List Price
CT-DCG	Door cut for glass	205
CT-DCG-GLI	Door cut and insert glass	381
CT-DCG-GLI-F	Door cut and insert frosted glass	576
CT-GLI	Glass Insert	197
CT-GLI-F	Frosted glass insert	392

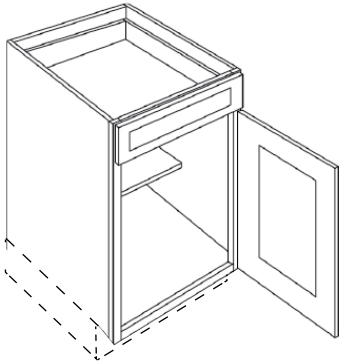
Door cut for glass



- Only Wall Cabinets can be cut for glass
- Loose glass not for sale
- *Per door cost shown above

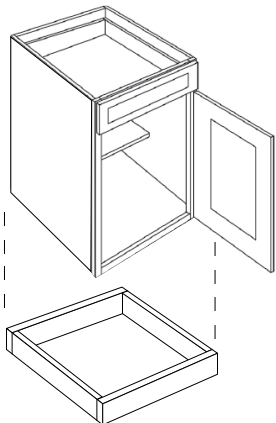
Remove Toe Kick

CT-HANDICUT	Base cabinet, cut off toe kick	116
--------------------	--------------------------------	-----



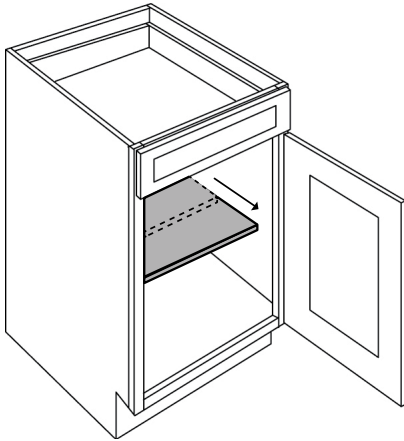
Cut and Send Toe Kick

CT-HANDICUTSHIP	Base cabinet, cut off toe kick and ship	200
------------------------	---	-----



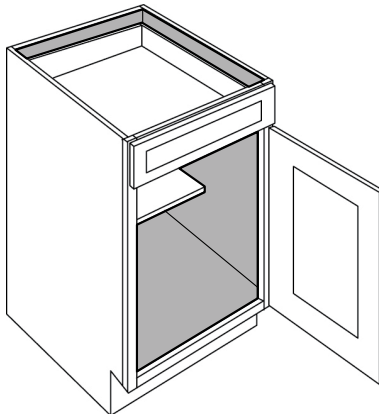
Item	Description	List Price
------	-------------	------------

Concord Full Depth Shelf



CT-SHELF-FD-B9	Full Depth Shelf	7
CT-SHELF-FD-B12	Full Depth Shelf	9
CT-SHELF-FD-B15	Full Depth Shelf	11
CT-SHELF-FD-B18	Full Depth Shelf	14
CT-SHELF-FD-B21	Full Depth Shelf	15
CT-SHELF-FD-B24	Full Depth Shelf	17
CT-SHELF-FD-B30	Full Depth Shelf	23
CT-SHELF-FD-B33	Full Depth Shelf	27
CT-SHELF-FD-B36	Full Depth Shelf	30
CT-SHELF-FD-B39	Full Depth Shelf	34
CT-SHELF-FD-B42	Full Depth Shelf	37
CT-SHELF-FD-B48	Full Depth Shelf	40

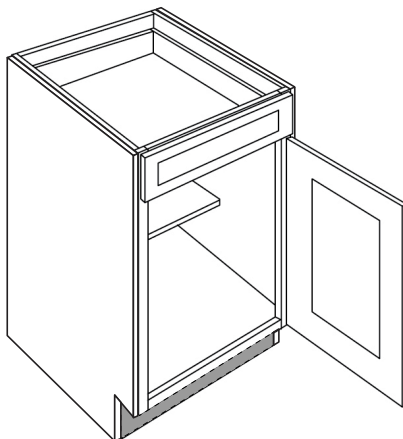
Finished Interior



CT-FINISH-B	Finished Interior - Base Cabinet	450
CT-FINISH-W	Finished Interior - Wall Cabinet	450
CT-FINISH-T	Finished Interior - Tall Cabinet	800

- Drawers will not be finished

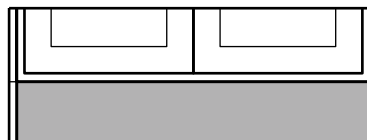
Recessed Toe Kick



CT-TK-REDUCE	Recessed Toe Kick	800
--------------	-------------------	-----

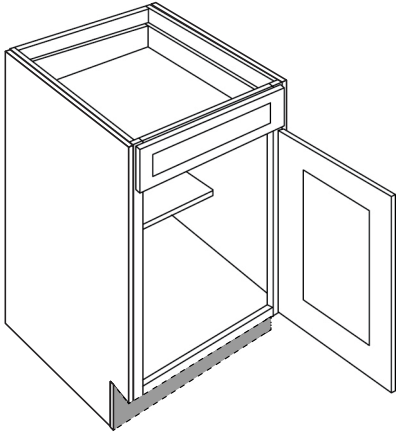
- Must specify front, left, right dimensions

Front View - Toe Kick

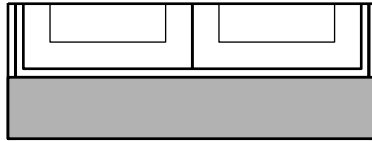


Item	Description	List Price
CT-TKFLUSH	Flush Toe Kick	100

Flush Toe Kick

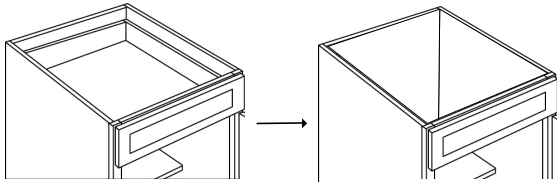


Front View - Toe Kick



Base Cabinet to Sink Base

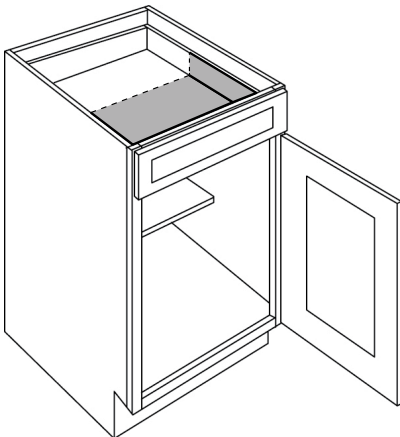
CHARGE-SINK BASE	Base to Sink Base	210
-------------------------	-------------------	-----



Reduced Top Drawer

CT-TD-REDUCE	Reduce Depth of Top Drawer	120
---------------------	----------------------------	-----

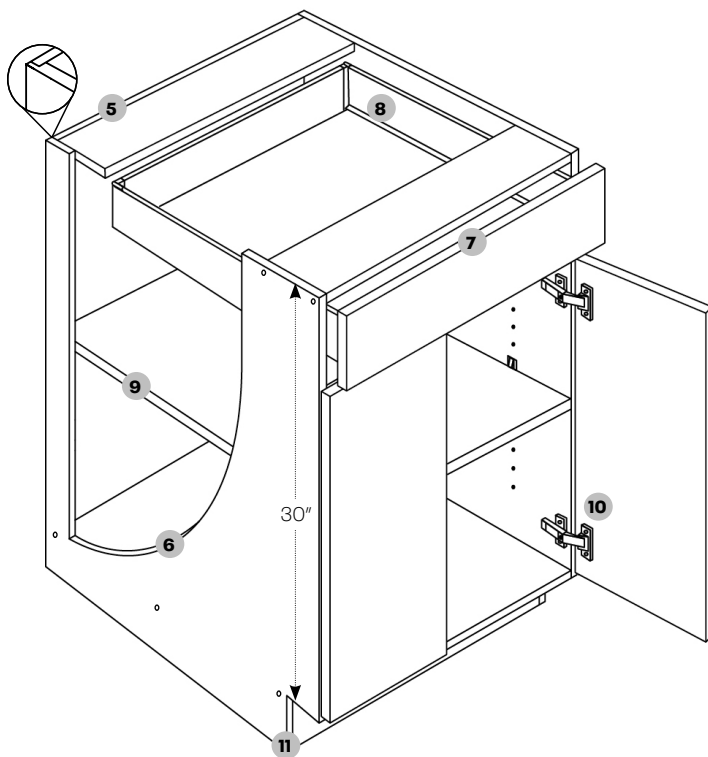
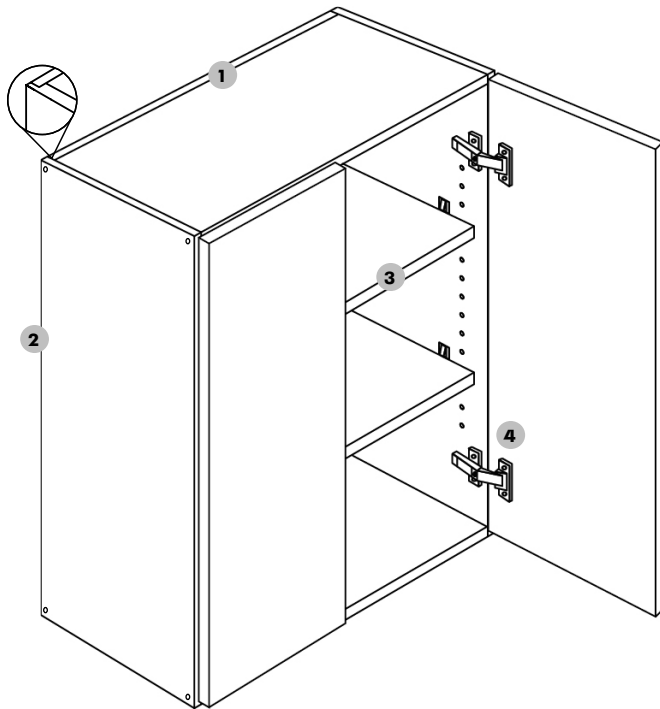
- Can be cut down to 9", 12", 15", 18" & 21"



Cabinet & Door Information

Classic Collection

White Finish Frameless Box



- 1 Back panel** — 3/4" back panel
- 2 End panel** — 3/4" thick plywood sides, constructed with glue, screws, and wooden dowels for durability and strength.
- 3 Shelves** — 3/4" thick, plywood; fully adjustable with metal clips.
- 4 Hinges** — Heavy duty steel concealed 6 way adjustable clip-on hinges with soft-close mechanism
*36" and 42" Wall cabinets will have 3 hinges

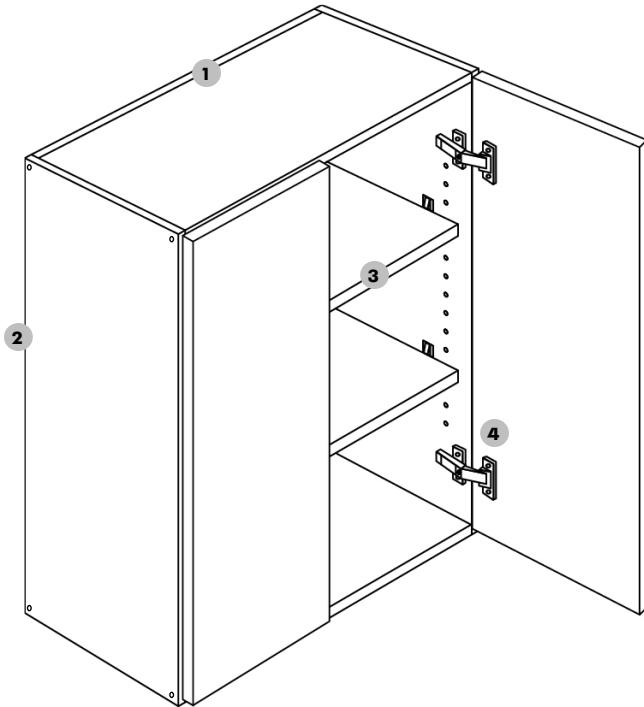
- 5 Back panel** — 3/4" full back panel constructed with wood dowels, glued and screwed together.
- 6 End panel** — 3/4" thick plywood sides, constructed with glue, screws, and wooden dowels for durability and strength.
- 7 Drawers** — Double white wall metal drawer with 1/2" plywood bottom.
- 8 Glides** — Full extension glides, with soft closing feature.
- 9 Shelves** — 3/4" thick, full depth plywood; fully adjustable with metal clips.
- 10 Hinges** — Heavy duty steel concealed hinge, adjustable with soft-close mechanism
- 11 Toe Kick** — 4 1/2" Toe kick with 3" inset on all standard base and vanity cabinets. White toe kick is standard.

Cabinet boxes are white edge banded with white interior and exterior.

On diagonal corner cabinets, matching edge banding will be applied vertically.

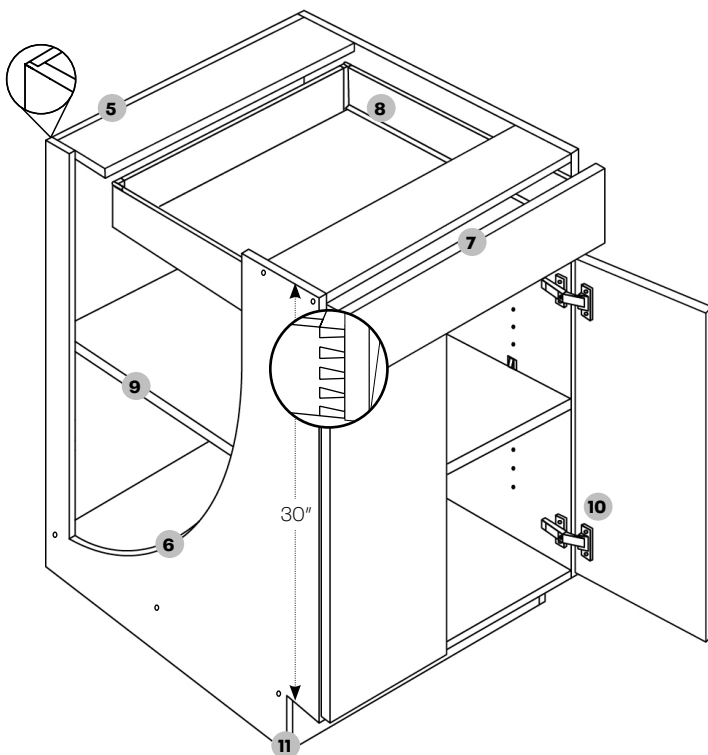
Classic cabinets are only available assembled.

Maple Finish Frameless Box



- 1 **Back panel** — 3/4" back panel
- 2 **End panel** — 3/4" thick plywood sides, constructed with glue, screws, and wooden dowels for durability and strength.
- 3 **Shelves** — 3/4" thick, plywood; fully adjustable with metal clips.
- 4 **Hinges** — Heavy duty steel concealed 6 way adjustable hinge with soft-close mechanism

*36" and 42" Wall cabinets will have 3 hinges



- 5 **Back panel** — 3/4" full back panel constructed with wood dowels, glued and screwed together.
- 6 **End panel** — 3/4" thick plywood sides, constructed with glue, screws, and wooden dowels for durability and strength.
- 7 **Drawers** — 3/4" Solid wood, dovetail construction with soft-close glides.
- 8 **Glides** — Full extension glides, with soft closing feature.
- 9 **Shelves** — 3/4" thick, full depth plywood; fully adjustable with metal clips.
- 10 **Hinges** — Heavy duty steel concealed hinge, adjustable with soft-close mechanism
- 11 **Toe Kick** — 4 1/2" Toe kick with 3" inset on all standard base and vanity cabinets. White toe kick is standard.

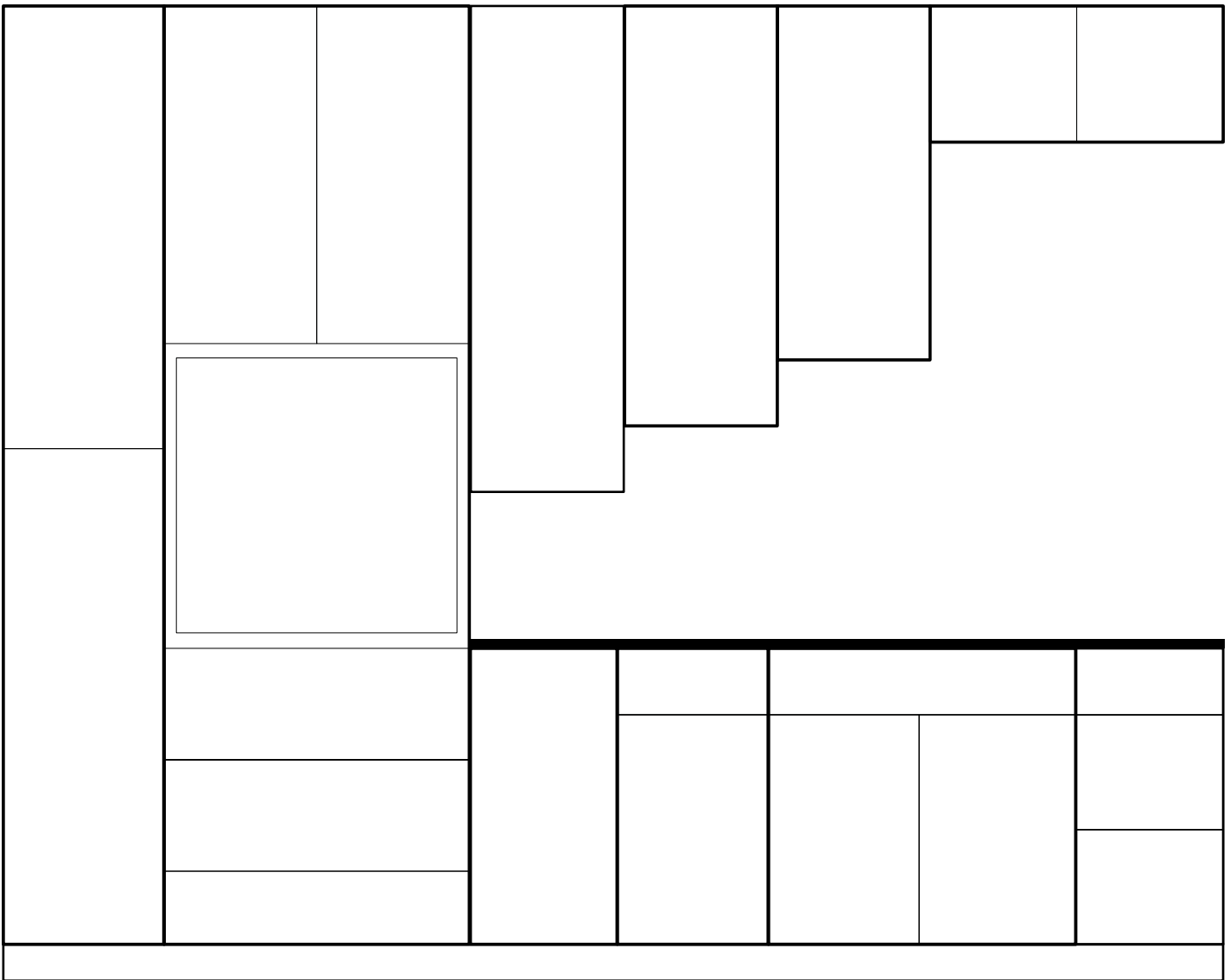
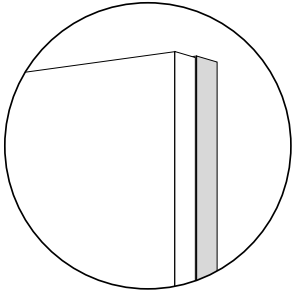
Cabinet boxes are maple edge banded with maple interior and exterior.

On diagonal corner cabinets, matching edge banding will be applied vertically.

Classic cabinets are only available assembled.

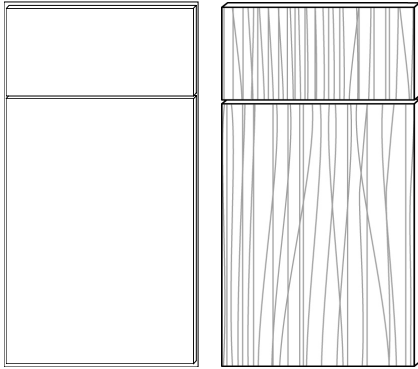
Frameless

1/8" Reveal



4 1/2"
Toe Kick

Broadway



A full overlay low pressure laminate flat panel MDF door with matching back

White Box	Maple Box	Finish	Price Code
BMW	BMM	600 - Cotton	E
BMW	BMM	601 - Silk	E
BMW	BMM	650 - Almond	E
BMW	BMM	651 - Chestnut	E
BMW	BMM	652 - Walnut	E
BMW	BMM	656 - Silver Birch	E
BMW	BMM	653 - Coastal	E
BMW	BMM	654 - Driftwood	E
BMW	BMM	655 - Beach	E
BMW	BMM	602 - Nimbus	E
BMW	BMM	603 - Cobalt	E
BMW	BMM	604 - Graphite	E

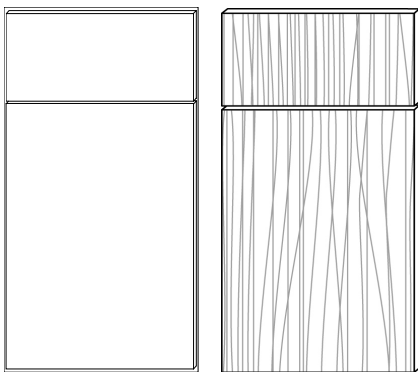
End Panel Options

- 3/4" field applied finished end (customer must order end panel)

Hardware

- 6 way, soft-close clip-on hinges and full extension glides

Milano



A full overlay slab door made from a MDF core, wrapped in PET with a matching edgeband and melamine back.

White Box	Maple Box	Finish	Price Code
MPW	MPM	400 - Polar White (gloss)	F
MPW	MPM	401 - Fossil Grey (gloss)	F
MPW	MPM	402 - Sand (matte)	F
MPW	MPM	403 - Seaside (matte)	F
MPW	MPM	404 - Pine (matte)	F
MPW	MPM	405 - Snow (matte)	F
MPW	MPM	406 - Sunset (matte)	F
MPW	MPM	407 - Obsidian (matte)	F
MPW	MPM	450 - Mirage (reeded)	F
MPW	MPM	451 - Dune (textured)	F
MPW	MPM	452 - Autumn (textured)	F
MPW	MPM	453 - Ash (textured)	F

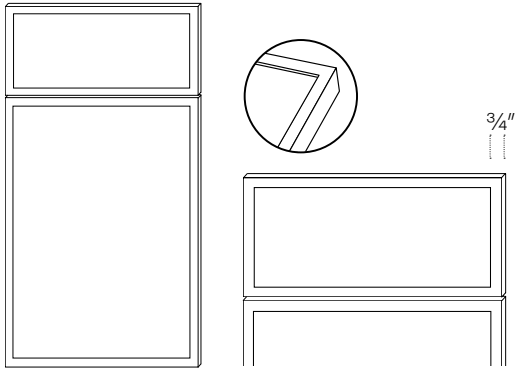
End Panel Options

- 3/4" applied or integrated finished sides. (customer must order)

Hardware

- BLUM 6 way, soft-close clip-on hinges and full extension glides

Versailles



A full overlay 5 piece solid wood, with solid MDF veneer flat center panel. The Versailles door features a 3/4" frame.

- 3/4" Applied finished sides (Customer must order)
- 6 way, soft-close clip-on hinges and full extension glides

PLUS Program Upgrades

- BLUM 6 way, soft-close clip-on hinges and full extension glides

White Box	Maple Box	Finish	Price Code
VBW	VBM	10 - White	G

White Box	Maple Box	Finish	Price Code
-----------	-----------	--------	------------

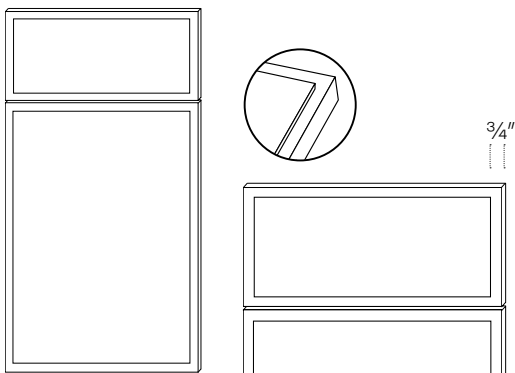
Stain

VKPW	VBPM	VBP200 - Ale	I
VKPW	VBPM	VBP201 - Bourbon	I

Paint

VBPW	VBPM	101 - Sleek White	H
VBPW	VBPM	102 - Linen	H
VBPW	VBPM	103 - Sahara	H
VBPW	VBPM	104 - Mountain Stream	H
VBPW	VBPM	105 - Adirondack Blue	H
VBPW	VBPM	106 - Sage	H
VBPW	VBPM	107 - Evergreen	H
VBPW	VBPM	108 - Rumors	H
VBPW	VBPM	109 - Cracked Pepper	H
VBPW	VBPM	110 - Jet Black	H

Highland



A full overlay 5 piece solid wood, with solid MDF veneer raised center panel. The Highland door features a 3/4" frame.

- 3/4" Applied finished sides (Customer must order)
- 6 way, soft-close clip-on hinges and full extension glides

PLUS Program Upgrades

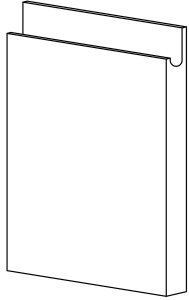
- BLUM 6 way, soft-close clip-on hinges and full extension glides

White Box	Maple Box	Finish	Price Code
HBW	HBM	10 - White	G

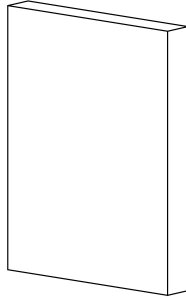
White Box	Maple Box	Finish	Price Code
-----------	-----------	--------	------------

HBPW	HBPM	101 - Sleek White	H
HBPW	HBPM	102 - Linen	H
HBPW	HBPM	103 - Sahara	H
HBPW	HBPM	104 - Mountain Stream	H
HBPW	HBPM	105 - Adirondack Blue	H
HBPW	HBPM	106 - Sage	H
HBPW	HBPM	107 - Evergreen	H
HBPW	HBPM	108 - Rumors	H
HBPW	HBPM	109 - Cracked Pepper	H
HBPW	HBPM	110 - Jet Black	H

Alvic Doors



Finger-Pull



Slab

Finish	Price Code
Syncron (Textured)	J
Luxe (High Gloss) / Zenit (Matte)	K

Alvic doors come with a color matching soft postforming edge band.

Finger-Pull is 25% Up-charged

Panels cannot exceed 107"

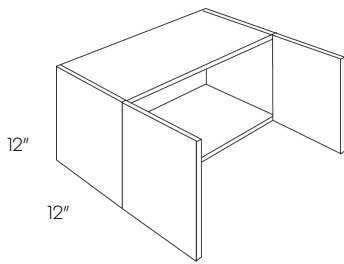
*Alvic Doors come standard equipped with Blum hinges

- Exposed ends need 3/4" finished panels (Not Factory Installed)
- Finger Pull only available on doors and drawers that are 47.5" or less

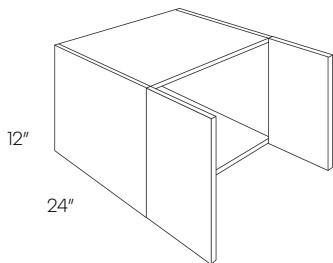
Specifications & Pricing

Classic Collection

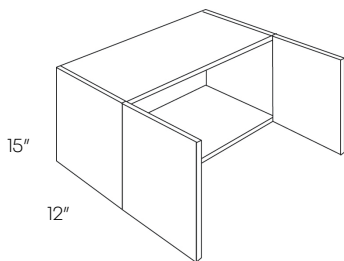
Item Number	Plus Program				Alvic		
	E	F	G	H	I	J	K
12" High Wall Cabinet							
3012	360	440	427	540	604	500	560
3312	382	468	452	572	641	530	595
3612	416	510	492	622	698	577	647
3912	473	573	595	714	788	624	699



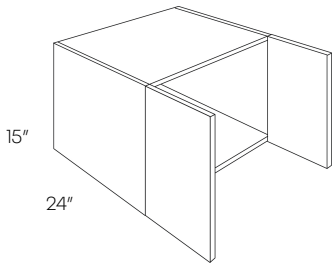
12" High, 24" Deep Wall Cabinet							
3012X24	487	597	602	761	854	677	758
3312X24	496	608	613	776	869	688	770
3612X24	538	658	661	837	938	745	834
3912X24	619	711	747	897	989	803	898



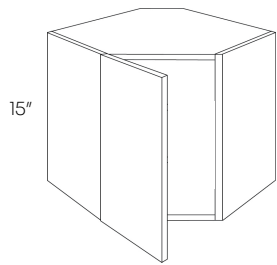
15" High Wall Cabinet							
1215 (1 Door)	275	304	289	347	416	368	439
1515 (1 Door)	297	328	309	371	438	378	449
1815 (1 Door)	320	354	336	400	460	388	459
2115 (1 Door)	343	378	356	428	483	398	469
2415	367	449	430	544	607	508	569
3015	374	458	443	561	628	518	580
3315	394	482	468	592	662	546	611
3615	416	510	538	681	762	577	647



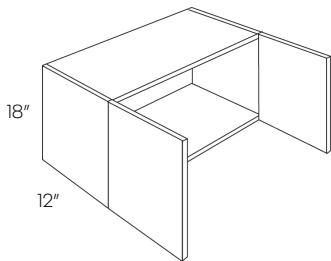
Item Number	Plus Program				Alvic		
	E	F	G	H	I	J	K
15" High, 24" Deep Wall Cabinet							
3015X24	505	620	637	806	906	702	786
3315X24	517	633	670	848	951	717	804
3615X24	561	688	718	908	1018	780	871
3915X24	583	716	627	753	831	843	938



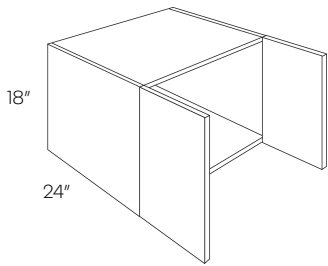
15" High Diagonal Corner Wall Cabinet	CW2415	448	550	666	800	897	622	697
--	---------------	-----	-----	-----	-----	-----	-----	-----



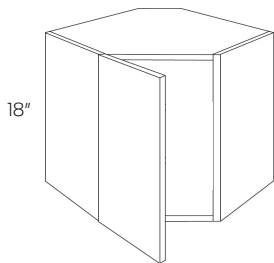
18" High Wall Cabinet	1218 (1 Door)	295	314	330	396	476	378	423
	1518 (1 Door)	306	330	355	426	500	388	435
	1818 (1 Door)	326	345	382	459	527	403	452
	2118 (1 door)	346	360	407	515	577	479	538
	2418	378	462	451	569	636	524	647
	3018	416	510	473	598	670	577	587
	3318	459	562	488	617	691	635	646
	3618	504	616	557	705	790	698	711
	3918	558	586	658	790	872	761	776



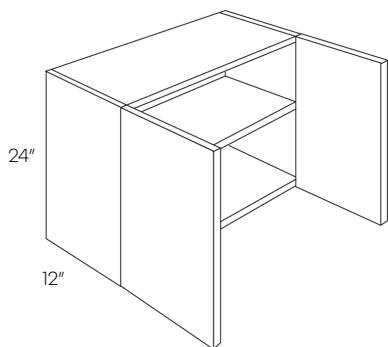
Item Number	Plus Program				Alvic		
	E	F	G	H	I	J	K
18" High, 24" Deep Wall Cabinet							
3018X24	525	644	674	852	956	729	816
3318X24	537	657	727	920	1029	744	833
3618X24	632	775	772	976	1096	877	983
3918X24	680	830	860	1032	1139	1010	1133



18" High Diagonal Corner Wall Cabinet	CW2418	485	596	762	915	1029	675	755
--	---------------	-----	-----	-----	-----	------	-----	-----

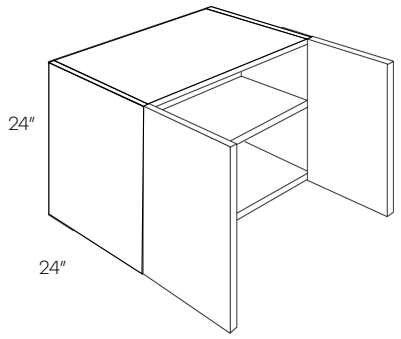


24" High Wall Cabinet	2424	517	633	606	766	859	717	804
	2724	522	638	610	771	863	725	811
	3024	540	660	618	782	874	750	846
	3324	558	684	656	830	930	773	867
	3624	598	733	704	891	998	831	930
	3924	690	758	771	926	1021	882	988
	4224	736	823	792	1002	1125	932	1045



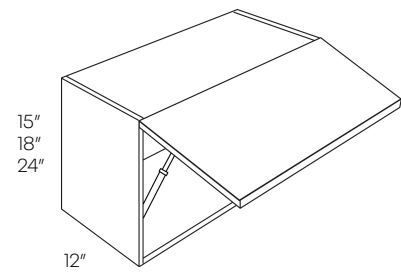
• No center brace

Item Number	Plus Program				Alvic		
	E	F	G	H	I	J	K
24" High, 24" Deep Wall Cabinet							
3024X24	703	862	828	1048	1172	975	1092
3324X24	752	921	888	1124	1258	1045	1169
3624X24	810	991	952	1204	1351	1124	1258
3924X24	839	1026	1070	1284	1417	1203	1347



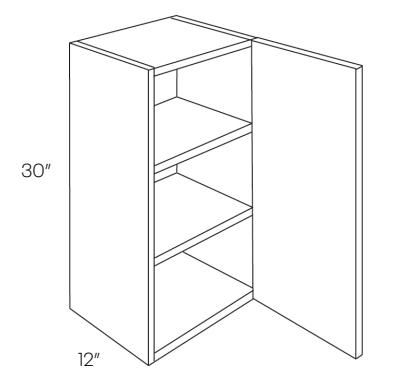
• No center brace

Item Number	Plus Program				Alvic		
	E	F	G	H	I	J	K
Horizontal Wall Cabinet							
3012-HD	560	640	722	867	971	840	940
3015-HD	612	750	702	888	995	849	951
3018-HD	616	755	708	896	1002	854	958
3024-HD*	708	867	875	1107	1241	983	1101
3612-HD	616	710	791	950	1063	1025	1143
3615-HD	762	929	795	1006	1128	1067	1185
3618-HD	772	945	816	1031	1157	1076	1203
*3624-HD	800	976	1014	1217	1364	983	1101

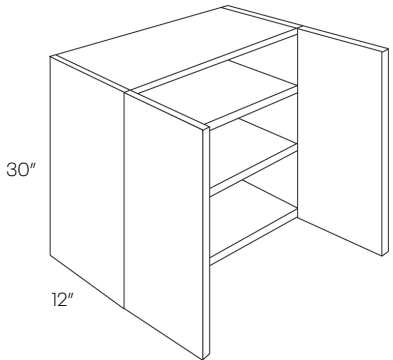


* Has shelf

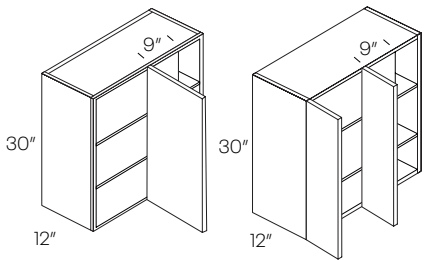
Item Number	Plus Program				Alvic		
	E	F	G	H	I	J	K
30" High 1 Door Wall Cabinet							
930	298	365	351	443	496	414	464
1230	333	407	392	495	554	462	517
1530	356	436	422	533	596	494	554
1830	402	492	474	599	671	557	624
2130	479	587	566	716	803	665	745



Item Number	Plus Program				Alvic		
	E	F	G	H	I	J	K
30" High 2 Door Wall Cabinet							
2430	514	630	602	762	855	712	797
2730	565	692	666	842	942	785	878
3030	576	706	681	862	966	801	897
3330	631	774	742	940	1053	876	980
3630	669	820	789	998	1119	929	1039
3930	725	888	852	1078	1209	1004	1127
4230	767	940	919	1163	1302	1064	1193



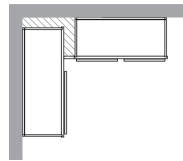
30" High Blind Wall Cabinet	BLW27/3030 (1 door)	729	894	858	1086	1215	1013	1134
	BLW30/3330 (1 door)	890	935	995	1194	1338	1212	1355
	BLW36/3930	873	1069	1029	1302	1459	1212	1355
	BLW42/4530	1048	1284	1233	1559	1746	1455	1628



BLW27/BLW36

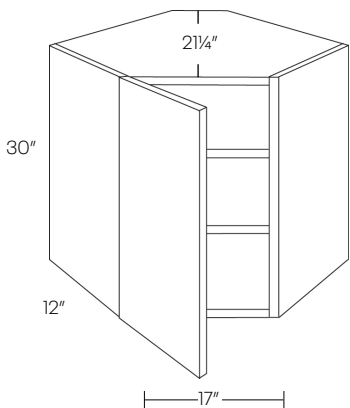
BLW42

• Can be installed at actual size

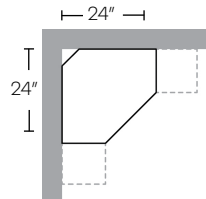


Cabinet	Min. Pull	Max. Pull	Actual Size	Door	Door Opening
BLW27/3030	27"	30"	27"	1230	11.25" X 28.5"
BLW30/3330	30"	33"	36"	1530	14.25" X 28.5"
BLW36/3930	36"	39"	36"	2130	20.25" X 28.5"
BLW42/4530	42"	45"	42"	2730	26.25" X 28.5"

30" High Diagonal Corner Wall Cabinet	CW2430	747	916	878	1112	1245	1037	1161
--	---------------	-----	-----	-----	------	------	------	------

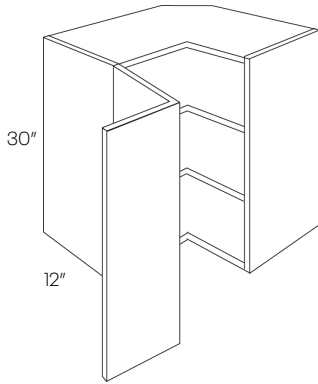


- Requires 24" x 24" wall space
- Matching Edgeband on vertical side

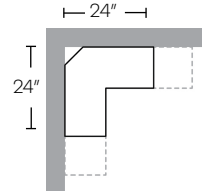


Item Number	Plus Program				Alvic		
	E	F	G	H	I	J	K
30" High Square Corner Wall Cabinet	805	986	944	1194	1336	1118	1252

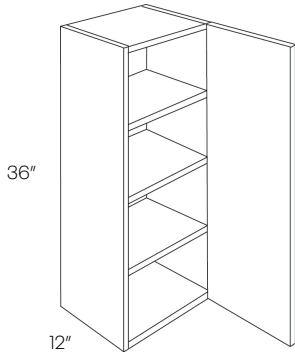
30" High Square Corner Wall Cabinet



- Requires 24" x 24" wall space
- Pie is 12" x 12"

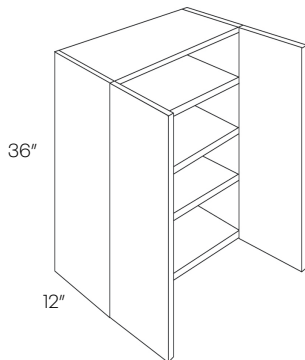


36" High 1 Door Wall Cabinet



936	356	436	422	533	596	494	554
1236	394	482	465	588	659	546	611
1536	477	584	506	640	718	661	741
1836	529	648	562	712	798	737	806
2136	575	704	676	855	958	797	893

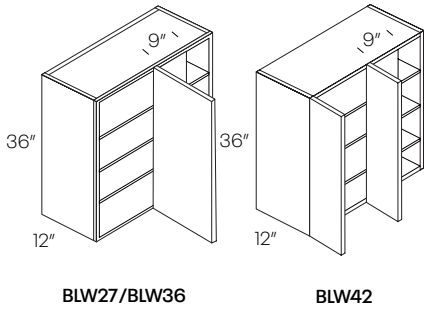
36" High 2 Door Wall Cabinet



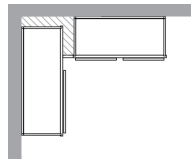
2436	613	752	720	911	1020	851	952
2736	678	831	795	1006	1128	941	1053
3036	695	852	830	1050	1178	966	1082
3336	752	921	888	1124	1258	1045	1169
3636	799	979	939	1188	1332	1107	1241
4236	917	1000	1162	1395	1562	1169	1313

Item Number	Plus Program				Alvic		
	E	F	G	H	I	J	K
36" High Blind Wall Cabinet							
BLW27/3036 (1 door)	847	1038	999	1264	1415	1178	1317
BLW30/3336 (1 door)	929	1139	1151	1382	1548	1291	1445
BLW36/3936	1012	1240	1185	1500	1680	1404	1572
BLW42/4536	1095	1341	1379	1745	1957	1517	1700

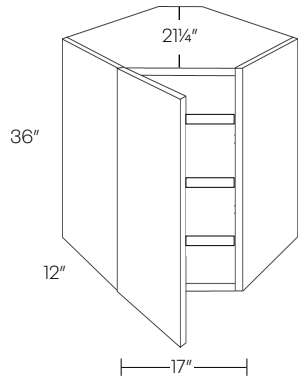
Cabinet	Min. Pull	Max. Pull	Actual Size	Door	Door Opening
BLW27/3036	27"	30"	27"	1236	11.25" X 34.5"
BLW30/3336	30"	33"	30"	1536	14.25" X 34.5"
BLW36/3936	36"	39"	36"	2136	20.25" X 34.5"
BLW42/4536	42"	45"	42"	2736	26.25" X 34.5"



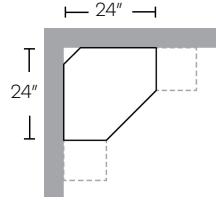
• Can be installed at actual size



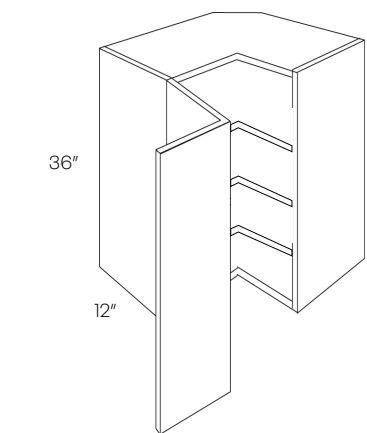
36" High Diagonal Corner Wall Cabinet	CW2436	786	963	925	1170	1310	1091	1221
--	---------------	-----	-----	-----	------	------	------	------



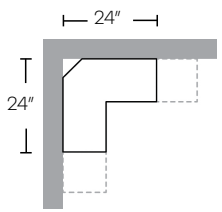
- Requires 24" x 24" wall space
- Matching Edgeband on vertical side



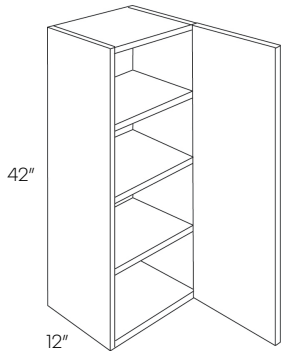
36" High Square Corner Wall Cabinet	WSQ2436	847	1038	993	1256	1407	1178	1317
--	----------------	-----	------	-----	------	------	------	------



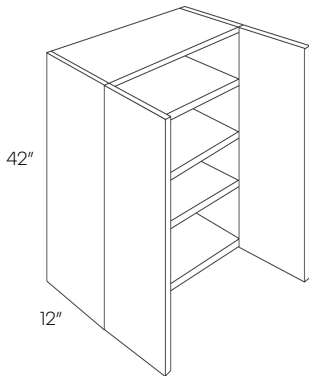
- Requires 24" x 24" wall space



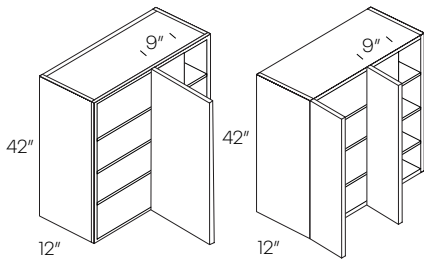
Item Number	Plus Program					Alvic	
	E	F	G	H	I	J	K
42" High 1 Door Wall Cabinet							
942	397	487	469	593	665	552	619
1242	437	536	513	650	728	605	678
1542	477	585	563	713	800	662	742
1842	532	652	625	791	888	738	826
2142	639	782	750	948	1062	888	993



42" High 2 Door Wall Cabinet	2442	683	836	805	1018	1139	948	1060
	2742	749	918	884	1118	1251	1039	1165
	3042	778	953	915	1156	1295	1080	1208
	3342	837	1025	984	1245	1396	1161	1300
	3642	885	1085	1043	1319	1477	1229	1376
	4242	1081	1136	1277	1533	1717	1297	1452



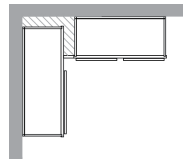
42" High Blind Wall Cabinet	BLW27/3042 (1 door)	943	1155	1112	1407	1575	1309	1464
	BLW30/3342(1 door)	1153	1211	1290	1548	1733	1441	1613
	BLW36/3942 (1 door)	1133	1387	1334	1688	1890	1572	1761
	BLW42/4542	1585	1665	1525	1923	2158	1704	1910



BLW27/BLW36

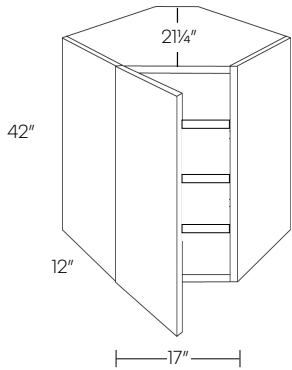
BLW42

• Can be installed at actual size

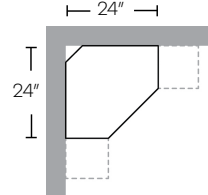


Cabinet	Min. Pull	Max. Pull	Actual Size	Door	Door Opening
BLW27/3042	27"	30"	27"	1242	11.25" X 40.5"
BLW30/3330	30"	33"	30"	1542	14.25" X 40.5"
BLW36/3942	36"	39"	36"	2142	20.25" X 40.5"
BLW42/4536	42"	45"	42"	2736	26.25" X 40.5"

Item Number	Plus Program				Alvic			
	E	F	G	H	I	J	K	
42" High Diagonal Corner Wall Cabinet	CW2442	899	1100	1145	1450	1625	1220	1289

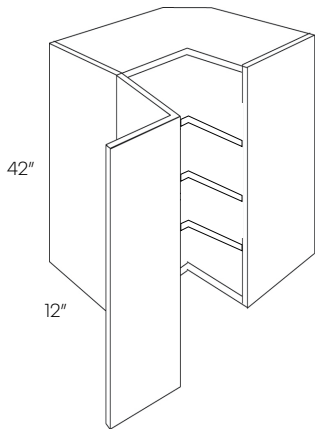


- Requires 24" x 24" wall space
- Matching Edgeband on vertical side

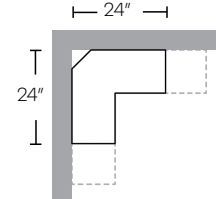


42" High Square Corner Wall Cabinet

Item Number	E	F	G	H	I	J	K
WSQ2442	1050	1286	1230	1556	1743	1458	1632

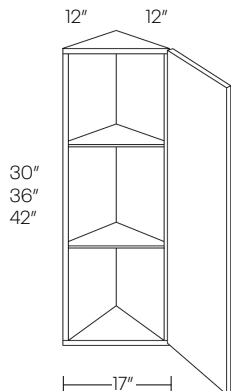


- Requires 24" x 24" wall space



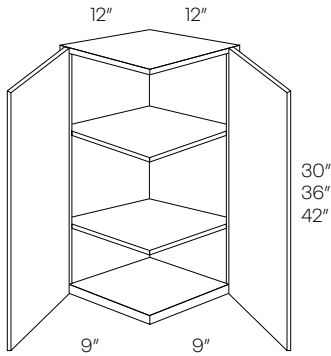
Single Door Wall End Cabinet

Item Number	E	F	G	H	I	J	K
WEC1230	349	427	404	512	572	485	542
WEC1236	394	482	452	572	641	546	611
WEC1242	440	672	505	639	716	615	682



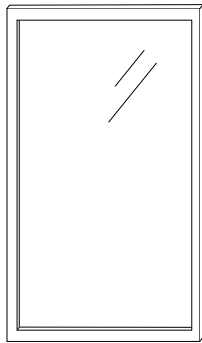
- 36" and 42" have 3 shelves
- Matching Edgeband

Item Number	Plus Program				Alvic		
	E	F	G	H	I	J	K
Double Door Wall End Cabinet							
WECD1230	440	539	505	639	716	608	682
WECD1236	492	603	566	716	803	683	765
WECD1242	549	672	631	798	893	762	853



• 36" and 42" have 3 shelves

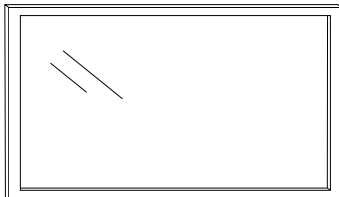
Aluminum Frame Glass Door - Vertical



ACG-DR-1530	349	349	349	349	349	349	349
ACG-DR-1536	382	382	382	382	382	382	382
ACG-DR-1542	414	414	414	414	414	414	414
ACG-DR-1830	377	377	377	377	377	377	377
ACG-DR-1836	411	411	411	411	411	411	411
ACG-DR-1842	442	442	442	442	442	442	442

• Aluminum doors shipped loose

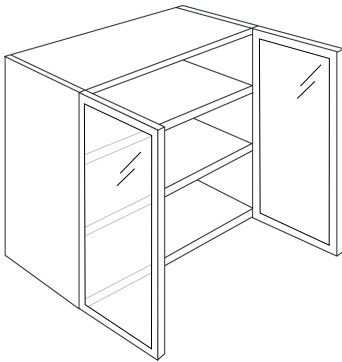
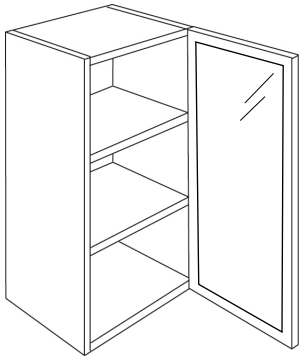
Aluminum Frame Glass Door - Horizontal



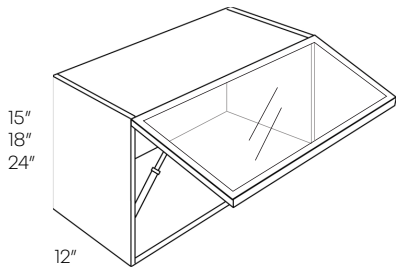
ACG-DR-3015-HD	349	349	349	349	349	349	349
ACG-DR-3018-HD	377	377	377	377	377	377	377
ACG-DR-3615-HD	382	382	382	382	382	382	382
ACG-DR-3618-HD	411	411	411	411	411	411	411

• Aluminum doors shipped loose

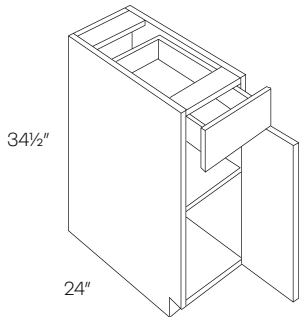
Item Number	Plus Program				Alvic		
	E	F	G	H	I	J	K
Aluminum Frame Glass Door - Vertical							
ACG-1530	545	604	625	722	749	683	743
ACG-1830	587	677	655	784	814	742	809
ACG-3030	954	1084	1050	1239	1283	1179	1275
ACG-3630	1041	1192	1153	1370	1420	1301	1411
ACG-1536	667	774	747	830	862	851	931
ACG-1836	710	829	799	892	928	918	987
ACG-3036	1077	1234	1193	1432	1485	1348	1464
ACG-3636	1162	1342	1296	1551	1611	1470	1604
ACG-1542	668	776	748	903	939	853	933
ACG-1842	707	827	796	966	1006	913	1081
ACG-3042	1160	1335	1290	1539	1597	1462	1590
ACG-3642	1235	1435	1383	1669	1735	1579	1726



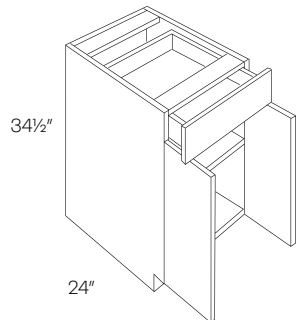
Aluminum Frame Glass Door - Horizontal							
ACG-HD-3015	961	1099	1063	1237	1282	1198	1300
ACG-HD-3018	998	1137	1101	1277	1322	1236	1340
ACG-HD-3615	1139	1306	1261	1383	1434	1444	1562
ACG-HD-3618	1183	1356	1311	1443	1495	1487	1614



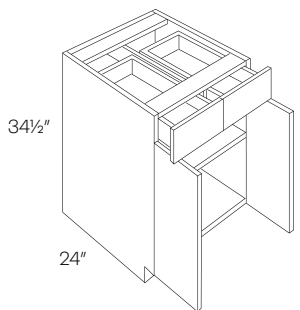
Item Number	Plus Program					Alvic	
	E	F	G	H	I	J	K
Single Door Base Cabinet							
B9	476	583	561	711	797	660	739
B12	538	658	633	801	897	745	834
B15	561	688	660	836	936	780	871
B18	592	725	696	880	986	821	918
B21	664	813	780	988	1105	920	1032



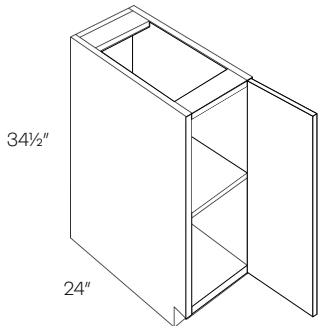
1 Drawer 2 Door Base Cabinet	B24	705	864	840	1064	1189	978	1095
	B27	772	945	919	1163	1302	1071	1199



2 Drawer & Door Base Cabinet	B30	881	1078	1043	1319	1477	1223	1371
	B33	936	1146	1106	1400	1568	1299	1456
	B36	979	1199	1155	1462	1637	1359	1522
	B39	1032	1264	1220	1545	1731	1434	1606
	B42	1085	1329	1289	1631	1830	1506	1687

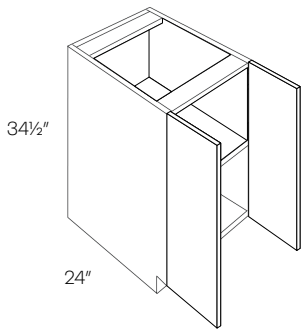


Item Number	Plus Program					Alvic	
	E	F	G	H	I	J	K
Full Height Single Door Base Cabinet							
B9-FH	476	583	561	711	797	660	739
B12-FH	538	658	633	801	897	745	834
B15-FH	561	688	660	836	936	780	871
B18-FH	592	725	696	880	986	821	918
B21-FH	664	813	780	988	1105	920	1032



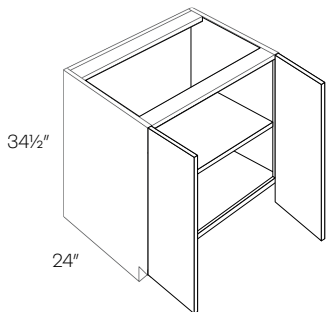
Full Height Door

Full Height 1 Drawer 2 Door Base Cabinet							
B24-FH	705	864	840	1064	1189	978	1095
B27-FH	772	945	919	1163	1302	1071	1199



Full Height Door

Full Height 2 Drawer & Door Base Cabinet							
B30-FH	881	1078	1043	1319	1477	1223	1371
B33-FH	936	1146	1106	1400	1568	1299	1456
B36-FH	979	1199	1155	1462	1637	1359	1522
B39-FH	1032	1264	1220	1545	1731	1434	1606
B42-FH	1085	1329	1289	1631	1830	1506	1687



Full Height Door

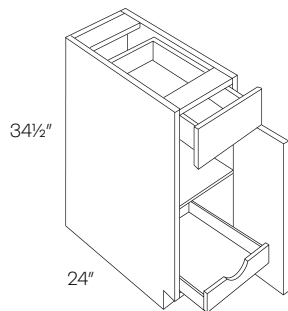
Plus Program Alvic

Item Number

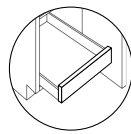
E	F	G	H	I	J	K
---	---	---	---	---	---	---

Single Door Base Cabinet W/1 POS

B12-POS1	801	981	881	1049	1145	1110	1244
B15-POS1	830	1017	917	1093	1193	1153	1291
B18-POS1	881	1078	974	1158	1264	1223	1371
B21-POS1	974	1194	1070	1278	1395	1352	1515



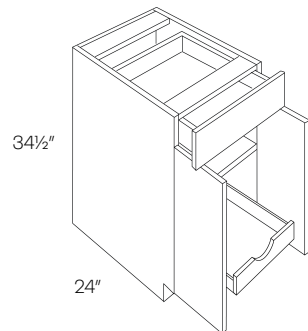
- White Box has metal drawer
- Maple has a solid wood dovetail box, with ball bearing soft close glides (not BLUM)



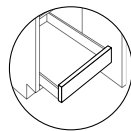
Slab drawer on White Cabinet box POS

1 Drawer 2 Door Base Cabinet W/1 POS

B24-POS1	1031	1263	1161	1385	1510	1432	1603
B27-POS1	1108	1358	1251	1495	1634	1539	1724



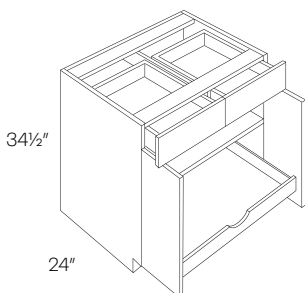
- White Box has metal drawer
- Maple has a solid wood dovetail box, with ball bearing soft close glides (not BLUM)



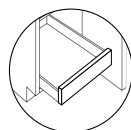
Slab drawer on White Cabinet box POS

2 Drawer & Door Base Cabinet W/1 POS

B30-POS1	1229	1506	1387	1663	1821	1706	1910
B33-POS1	1295	1586	1463	1757	1925	1798	2014
B36-POS1	1357	1662	1534	1841	2016	1884	2110
B42-POS1	1498	1835	1684	2026	2225	1838	2225



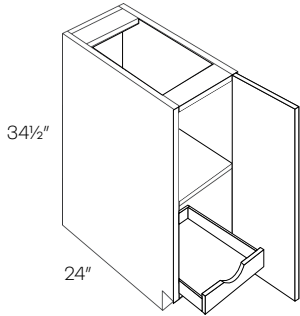
- White Box has metal drawer
- Maple has a solid wood dovetail box, with ball bearing soft close glides (not BLUM)



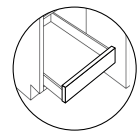
Slab drawer on White Cabinet box POS

Item Number	Plus Program					Alvic	
	E	F	G	H	I	J	K
B12-POS1-FH	801	981	881	1049	1145	1110	1244
B15-POS1-FH	830	1017	917	1093	1193	1153	1291
B18-POS1-FH	881	1078	974	1158	1264	1223	1371
B21-POS1-FH	974	1194	1070	1278	1395	1352	1515

Full Height Single Door Base Cabinet W/1 POS



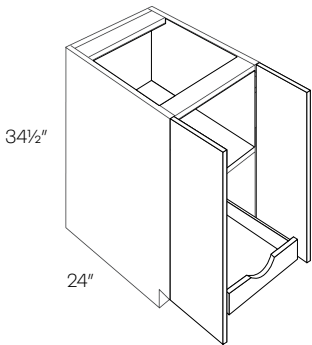
Full Height Door



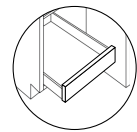
Slab drawer on White Cabinet box POS

- White Box has metal drawer
- Maple has a solid wood dovetail box, with ball bearing soft close glides (not BLUM)

Full Height 1 Drawer 2 Door Base Cabinet W/1 POS



Full Height Door

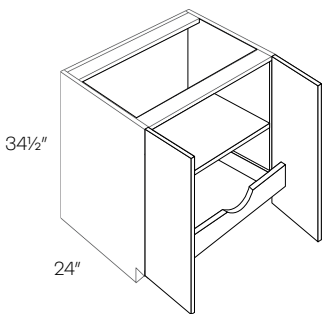


Slab drawer on White Cabinet box POS

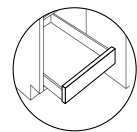
B24-POS1-FH	1031	1263	1161	1385	1510	1432	1603
B27-POS1-FH	1108	1358	1251	1495	1634	1539	1724

- White Box has metal drawer
- Maple has a solid wood dovetail box, with ball bearing soft close glides (not BLUM)

Full Height 2 Drawer & Door Base Cabinet W/1 POS



Full Height Door

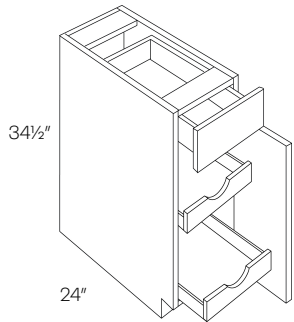


Slab drawer on White Cabinet box POS

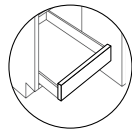
B30-POS1-FH	1229	1506	1387	1663	1821	1706	1910
B33-POS1-FH	1295	1586	1463	1757	1925	1798	2014
B36-POS1-FH	1357	1662	1534	1841	2016	1884	2110
B42-POS1-FH	1498	1835	1684	2026	2225	1838	2225

- White Box has metal drawer
- Maple has a solid wood dovetail box, with ball bearing soft close glides (not BLUM)

Item Number	Plus Program				Alvic		
	E	F	G	H	I	J	K
Single Door Base Cabinet W/2 POS							
B12-POS2	972	1191	1129	1297	1393	1350	1510
B15-POS2	1009	1237	1174	1350	1450	1401	1569
B18-POS2	1081	1325	1252	1436	1542	1501	1680
B21-POS2	1185	1451	1360	1568	1685	1645	1842

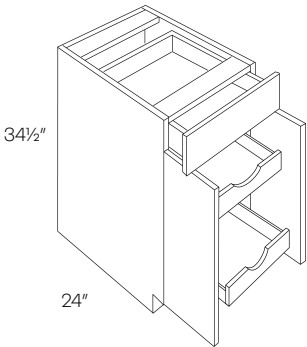


- White Box has metal drawer
- Maple has a solid wood dovetail box, with ball bearing soft close glides (not BLUM)

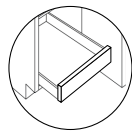


Slab drawer on White Cabinet box POS

1 Drawer 2 Door Base Cabinet W/2 POS	B24-POS2	1269	1554	1482	1706	1831	1760	1971
	B27-POS2	1355	1660	1583	1827	1966	1881	2106

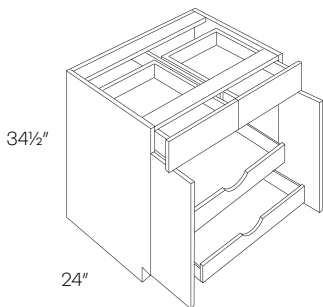


- White Box has metal drawer
- Maple has a solid wood dovetail box, with ball bearing soft close glides (not BLUM)

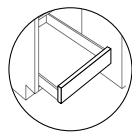


Slab drawer on White Cabinet box POS

2 Drawer & Door Base Cabinet W/2 POS	B30-POS2	1487	1822	1731	2007	2165	2066	2314
	B33-POS2	1565	1916	1820	2114	2282	2173	2432
	B36-POS2	1644	2014	1913	2220	2395	2283	2557
	B42-POS2	1819	2229	2079	2421	2620	2916	2698



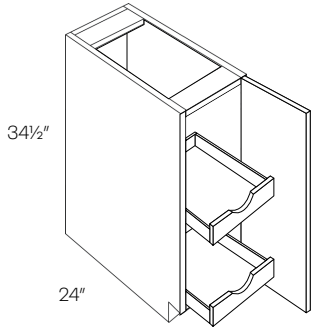
- White Box has metal drawer
- Maple has a solid wood dovetail box, with ball bearing soft close glides (not BLUM)



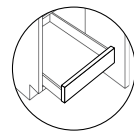
Slab drawer on White Cabinet box POS

Item Number	Plus Program				Alvic		
	E	F	G	H	I	J	K
B12-POS2-FH	972	1191	1129	1297	1393	1350	1510
B15-POS2-FH	1009	1237	1174	1350	1450	1401	1569
B18-POS2-FH	1081	1325	1252	1436	1542	1501	1680
B21-POS2-FH	1185	1451	1360	1568	1685	1645	1842

Full Height Single Door Base Cabinet W/2 POS



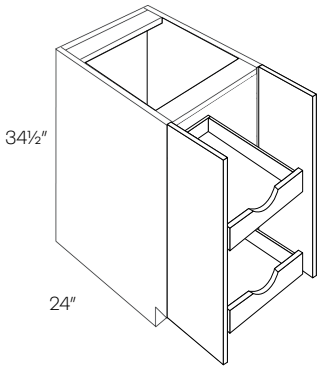
Full Height Door



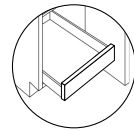
Slab drawer on White Cabinet box POS

- White Box has metal drawer
- Maple has a solid wood dovetail box, with ball bearing soft close glides (not BLUM)

Full Height 1 Drawer 2 Door Base Cabinet W/2 POS



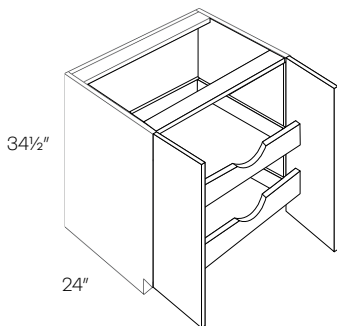
Full Height Door



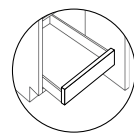
Slab drawer on White Cabinet box POS

- White Box has metal drawer
- Maple has a solid wood dovetail box, with ball bearing soft close glides (not BLUM)

Full Height 2 Drawer & Door Base Cabinet W/2 POS



Full Height Door



Slab drawer on White Cabinet box POS

B30-POS2-FH	1487	1822	1731	2007	2165	2066	2314
B33-POS2-FH	1565	1916	1820	2114	2282	2173	2432
B36-POS2-FH	1644	2014	1913	2220	2395	2283	2557
B42-POS2-FH	1819	2229	2079	2421	2620	2916	2698

- White Box has metal drawer
- Maple has a solid wood dovetail box, with ball bearing soft close glides (not BLUM)

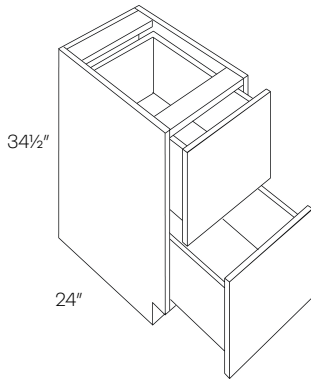
Plus Program

Alvic

Item Number

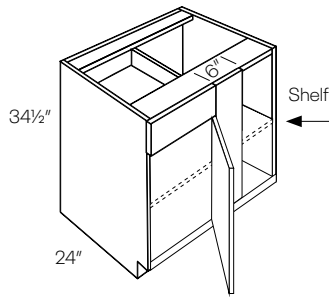
E	F	G	H	I	J	K
---	---	---	---	---	---	---

2 Drawer Base Cabinet



DB24-2	970	1188	1142	1445	1622	1347	1507
DB30-2	1050	1286	1232	1558	1745	1458	1632
DB33-2	1113	1363	1292	1635	1832	1545	1729
DB36-2	1175	1440	1343	1701	1896	1632	1826

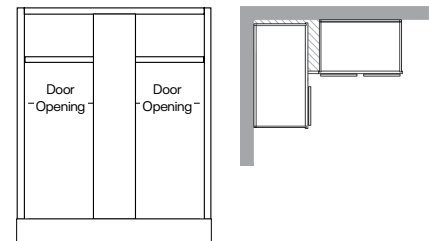
Blind Base Cabinet



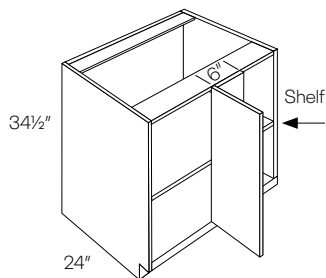
BLB36/39	931	1140	1095	1386	1553	1292	1447
BLB39/42	956	1172	1125	1425	1596	1328	1487
BLB42/45	1025	1255	1204	1524	1707	1423	1593
BLB45/48	1107	1356	1310	1658	1858	1537	1721

- Reversible Left or Right
- Must be pulled to the minimum position

Cabinet	Min. Pull	Max. Pull	Actual Size	Door	Door Opening
BLB36/39	36"	39"	27"	B9	8.25"
BLB39/42	39"	42"	33"	B12	11.25"
BLB42/45	42"	45"	36"	B15	14.25"
BLB45/48	45"	48"	42"	B18	17.25"



Full Height Blind Base Cabinet

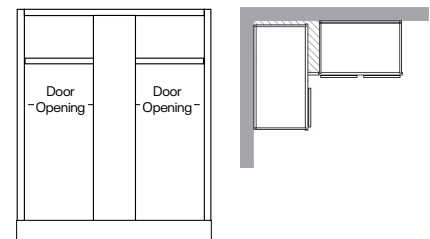


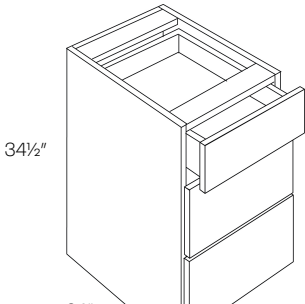
Full Height Door

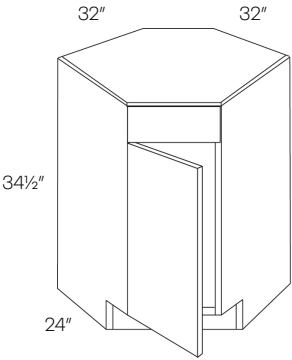
BLB36/39-FH	931	1140	1095	1386	1553	1292	1447
BLB39/42-FH	956	1172	1125	1425	1596	1328	1487
BLB42/45-FH	1025	1255	1204	1524	1707	1423	1593
BLB45/48-FH	1107	1356	1310	1658	1858	1537	1721

- Reversible Left or Right
- Must be pulled to the minimum position

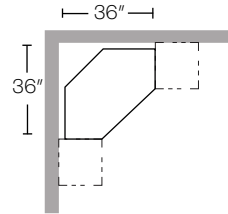
Cabinet	Min. Pull	Max. Pull	Actual Size	Door	Door Opening
BLB36/39	36"	39"	27"	B9	8.25"
BLB39/42	39"	42"	33"	B12	11.25"
BLB42/45	42"	45"	36"	B15	14.25"
BLB45/48	45"	48"	42"	B18	17.25"

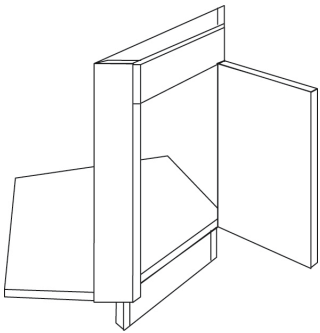


	Item Number	Plus Program					Alvic	
		E	F	G	H	I	J	K
3-Drawer Base Cabinet  <p>34½" 24"</p>	DB12	849	1041	1003	1269	1422	1180	1321
	DB15	889	1089	1043	1320	1478	1236	1383
	DB18	908	1112	1071	1355	1519	1262	1412
	DB21	937	1149	1105	1398	1567	1302	1459
	DB24	970	1188	1142	1445	1622	1347	1507
	DB27	1017	1246	1199	1517	1699	1412	1582
	DB30	1050	1286	1232	1558	1745	1458	1632
	DB33	1100	1348	1292	1635	1832	1528	1712
	DB36	1175	1440	1343	1701	1896	1632	1826

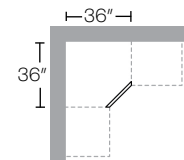
Diagonal Corner Sink Base Cabinet  <p>32" 32" 34½" 24"</p>	CSB36L	1355	1660	1547	1956	2191	1881	2106
	CSB36R	1355	1660	1547	1956	2191	1881	2106

- Full height available for same price
- Requires 36"x36" wall space
- Matching edgebanding will be applied on vertical edge frame

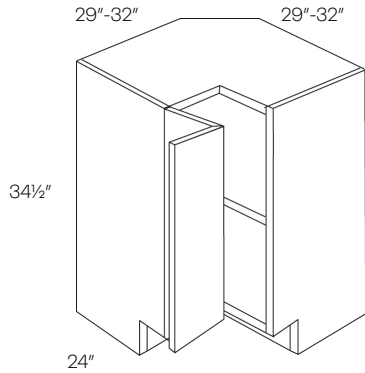


Diagonal Corner Sink Front 	CSF36*	581	712	443	561	628	806	901
	CSFFL36 (Floor)	187	197	187	236	196	187	187

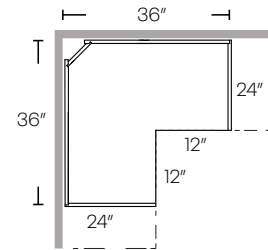
- *Requires 36"x36" wall space
- *Requires a floor (sold separately)
- CSF36 ships together with CSFFL36
- For CSF36, matching edgeband will be applied on vertical edge frame



Item Number	Plus Program				Alvic		
	E	F	G	H	I	J	K
Easy Reach Corner Base Cabinet							
ER36R	1616	1935	1898	2225	2130	2660	2979
ER36L	1616	1935	1898	2225	2130	2660	2979

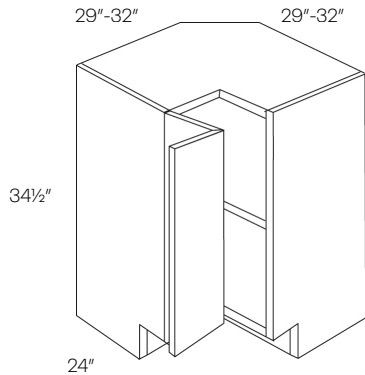


- Available in left or right hinge
- Left hand shown

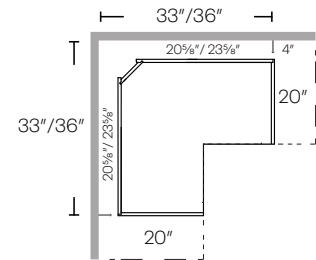


Easy Reach Corner Base Cabinet

BSQC33R	1213	1486	1588	2010	2254	1682	1884
BSQC33L	1213	1486	1588	2010	2254	1682	1884
BSQC36R	1213	1486	1588	2010	2254	1682	1884
BSQC36L	1213	1486	1588	2010	2254	1682	1884

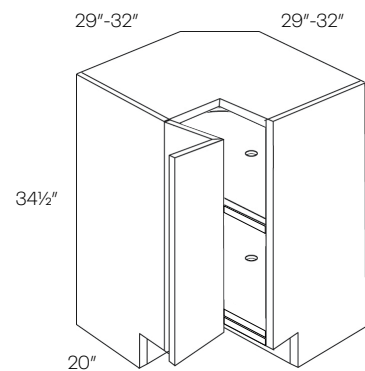


- Available in left or right hinge
- Left hand shown

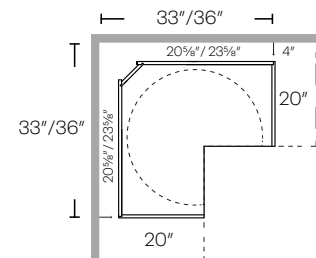


Carousel Corner Base Cabinet

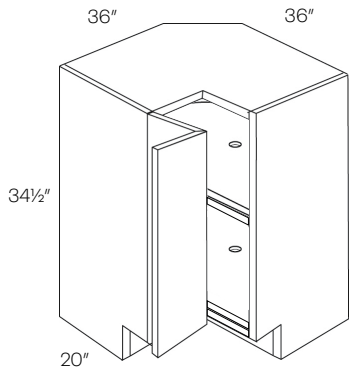
CAR33R	1916	2347	2056	2603	2916	2660	2979
CAR33L	1916	2347	2056	2603	2916	2660	2979
CAR36R	1916	2347	2056	2603	2916	2660	2979
CAR36L	1916	2347	2056	2603	2916	2660	2979



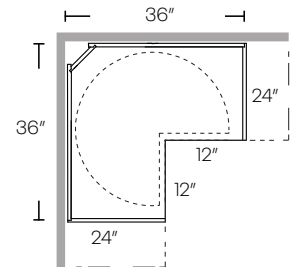
- Requires 33"x33" / 36"x36" wall space
- Pie cut for 33" is 9" for 36" is 12"
- Available in left or right hinge
- Natural wood lazy susan
- Right hand shown



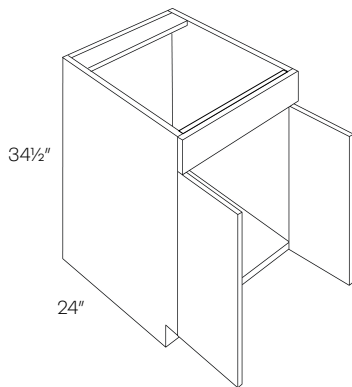
Item Number	Plus Program				Alvic		
	E	F	G	H	I	J	K
Lazy Susan Corner Base Cabinet							
LS36R	1916	2347	2169	2603	2916	2660	2979
LS36L	1916	2347	2169	2603	2916	2660	2979



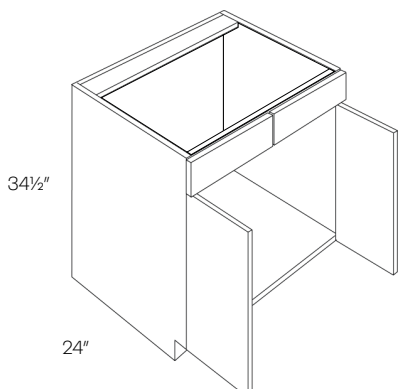
- Requires 33"x33" / 36"x36" wall space
- Pie cut for 33" is 9" for 36" is 12"
- Available in left or right hinge
- Natural wood lazy susan
- Right hand shown
- Metal Rev-a-Shelf upgrade available



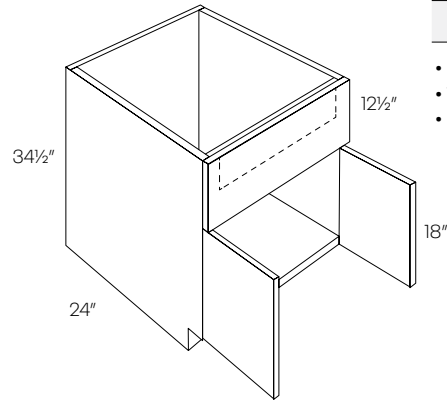
1 Drawer Front 2 Door Sink Base Cabinet	SB24	657	805	775	980	1097	913	1022
	SB27	708	867	836	1058	1185	983	1101



2 Drawer Front 2 Door Sink Base Cabinet	SB30	750	919	885	1120	1254	1040	1166
	SB33	798	978	945	1197	1339	1106	1238
	SB36	811	994	956	1209	1355	1128	1263
	SB39	836	1024	1020	1290	1443	1160	1299
	SB42	849	1041	1043	1320	1478	1180	1321



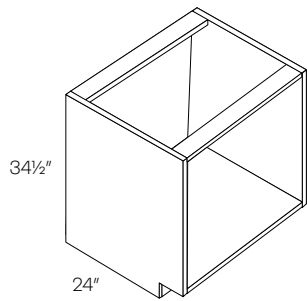
Item Number	Plus Program				Alvic		
	E	F	G	H	I	J	K
2 Door Farm Sink Base Cabinet							
SB30-FS	773	946	941	1191	1327	1040	1166
SB33-FS	804	985	1003	1269	1412	1106	1238
SB36-FS	836	1024	1012	1281	1427	1128	1265



- Max trimmable 27"/30"/33" X 10"
- Trimming to be done in field
- Has a fixed platform

Oven & Microwave Base Cabinet

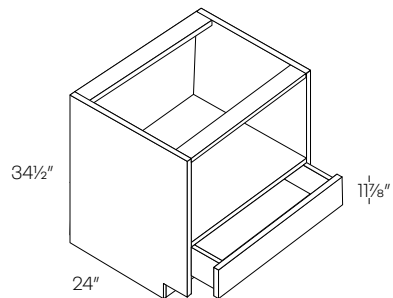
OVB30	750	919	679	860	961	1040	1166
MCB24	917	963	1204	1445	1622	1358	1475
MCB24-TRM	240	303	300	378	378	300	300
MCB27	953	1001	1251	1502	1683	1400	1550
MCB27-TRM	250	333	330	417	417	350	350
MCB30	1050	1286	1232	1558	1745	1458	1632
MCB30-TRM	270	353	360	454	454	375	375



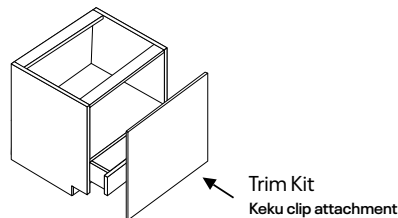
OVB

- OV Front opening is 28 1/2" x 29"

Cabinet	Front Opening Dimension
MCB24	22 1/2" x 17 3/4"
MCB27	25 1/2" x 17 3/4"
MCB30	28 1/2" x 17 3/4"



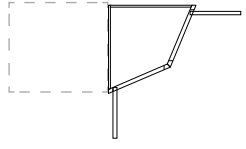
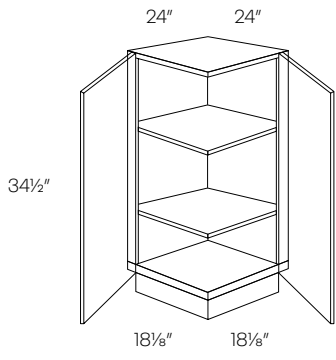
MCB



Item Number	Plus Program			Alvic		
	E	F	G	H	I	J

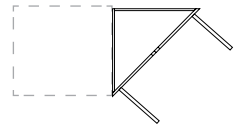
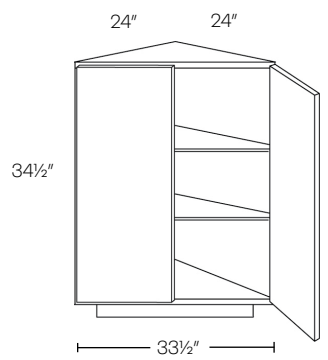
Base End Cabinet

BEC24	680	833	782	989	1107	943	1057
-------	-----	-----	-----	-----	------	-----	------



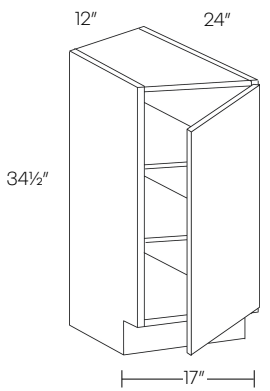
Base End Straight Cabinet

B ECS24	680	833	782	989	1107	943	1057
---------	-----	-----	-----	-----	------	-----	------

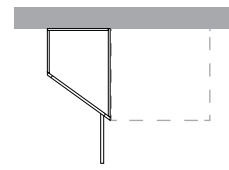


Angle Base End Cabinet

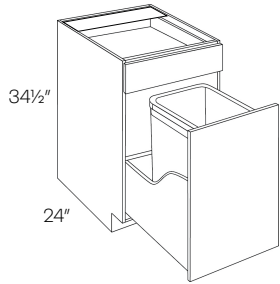
BTC2412	597	732	635	802	898	830	929
---------	-----	-----	-----	-----	-----	-----	-----



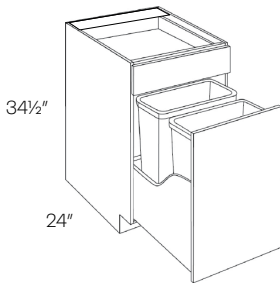
- Reversible
- Loose Toe Kick
- Hinged on 24"



Item Number	Plus Program				Alvic		
	E	F	G	H	I	J	K
Waste Basket Cabinet							
BWBK15 (1 basket)	981	1201	1073	1356	1521	1362	1527
BWBK18 (2 basket)	1040	1274	1136	1437	1609	1443	1616



BWBK15

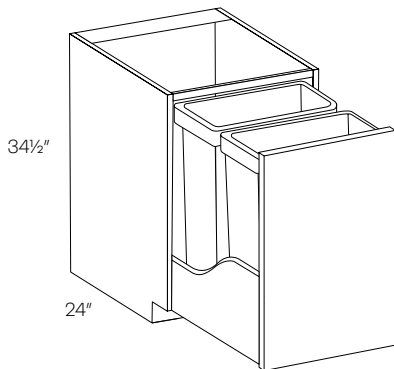


BWBK18

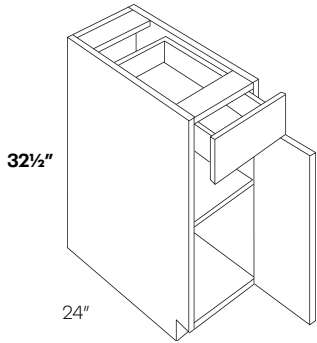
- BWBK15 includes 35qt. waste basket
- BWBK18 includes 2-35qt. waste baskets
- Side mounted soft-close glides
- Solid wood dovetail box

Full Height Double Waste Basket Cabinet	BWBK21-FH	1080	1322	1389	1757	1966	1500	1678
--	------------------	------	------	------	------	------	------	------

- Includes two 50qt. waste baskets
- Side mounted soft-close glides
- Solid wood dovetail box

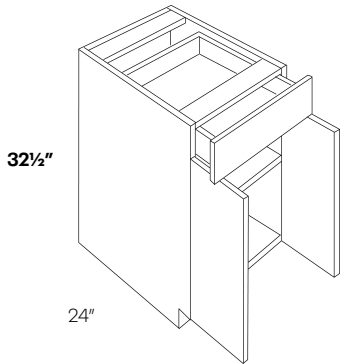


	Item Number	Plus Program				Alvic		
		E	F	G	H	I	J	K
Single Door Base Cabinet	B9-HA	476	583	N/A	N/A	N/A	N/A	N/A
	B12-HA	538	658	N/A	N/A	N/A	N/A	N/A
	B15-HA	561	688	N/A	N/A	N/A	N/A	N/A
	B18-HA	592	725	N/A	N/A	N/A	N/A	N/A
	B21-HA	664	813	N/A	N/A	N/A	N/A	N/A



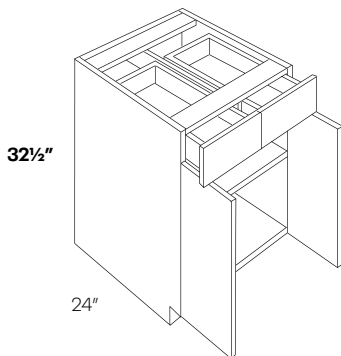
* Please note, Handicap Accessible cabinets may not meet ADA requirements

Single Door Double Drawer Base Cabinet	B24-HA	705	864	N/A	N/A	N/A	N/A	N/A
	B27-HA	772	945	N/A	N/A	N/A	N/A	N/A



* Please note, Handicap Accessible cabinets may not meet ADA requirements

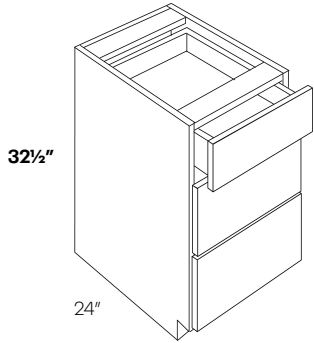
Double Door Double Drawer Base Cabinet	B30-HA	881	1078	N/A	N/A	N/A	N/A	N/A
	B33-HA	936	1146	N/A	N/A	N/A	N/A	N/A
	B36-HA	979	1199	N/A	N/A	N/A	N/A	N/A
	B39-HA	1032	1264	N/A	N/A	N/A	N/A	N/A



* Please note, Handicap Accessible cabinets may not meet ADA requirements

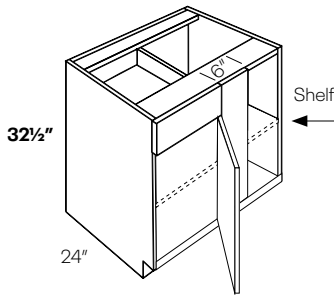
Item Number	Plus Program				Alvic		
	E	F	G	H	I	J	K
Three Drawer Base Cabinet							
DB12-HA	849	1041	N/A	N/A	N/A	N/A	N/A
DB15-HA	889	1089	N/A	N/A	N/A	N/A	N/A
DB18-HA	908	1112	N/A	N/A	N/A	N/A	N/A

* Please note, Handicap Accessible cabinets may not meet ADA requirements

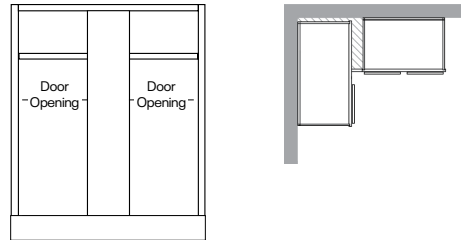


Item Number	E	F	G	H	I	J	K
Blind Base Cabinet							
BLB36/39-HA	931	1140	N/A	N/A	N/A	N/A	N/A

- Reversible Left or Right
- Must be pulled to the minimum position
- * Please note, Handicap Accessible cabinets may not meet ADA requirements

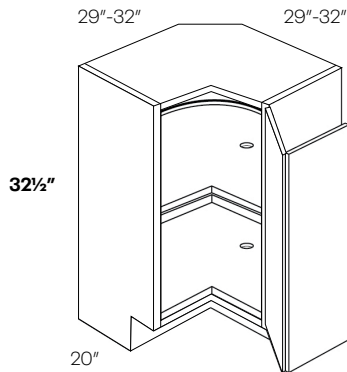


Cabinet	Min. Pull	Max. Pull	Actual Size	Door	Door Opening
BLB36/39	36"	39"	27"	B9	8.25"



Item Number	E	F	G	H	I	J	K
Lazy Susan Corner Base Cabinet							
CAR36L-HA	1916	2347	N/A	N/A	N/A	N/A	N/A
CAR36R-HA	1916	2347	N/A	N/A	N/A	N/A	N/A

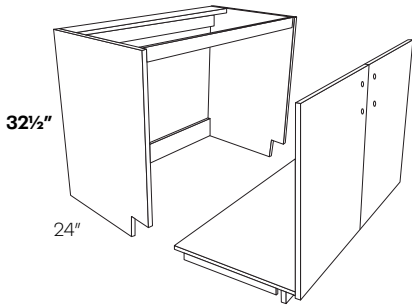
* Please note, Handicap Accessible cabinets may not meet ADA requirements



- Requires 33"x33" / 36"x36" wall space
- Pie cut for 33" is 9" for 36" is 12"
- Available in left or right hinge
- Natural wood lazy susan

Item Number	Plus Program				Alvic		
	E	F	G	H	I	J	K
SB30-HR	1050	1287	N/A	N/A	N/A	N/A	N/A
SB33-HR	1118	1370	N/A	N/A	N/A	N/A	N/A
SB36-HR	1136	1392	N/A	N/A	N/A	N/A	N/A

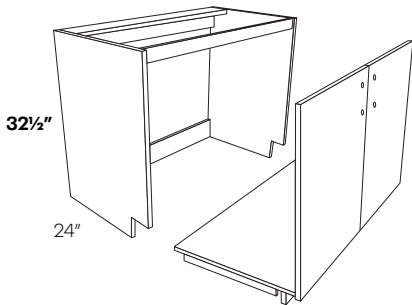
Removable Vanity Sink Base



* Please note, Handicap Removable cabinets may not meet ADA requirements

Removable Vanity Base

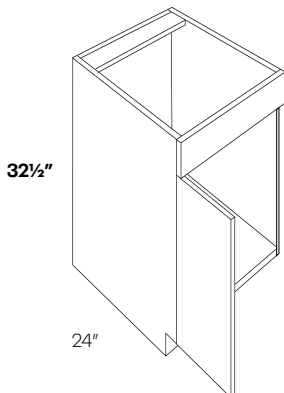
V30-HR	861	1056	N/A	N/A	N/A	N/A	N/A
V33-HR	954	1108	N/A	N/A	N/A	N/A	N/A
V36-HR	1045	1280	N/A	N/A	N/A	N/A	N/A



* Please note, Handicap Removable cabinets may not meet ADA requirements

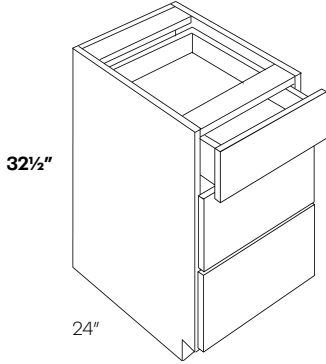
Vanity Sink Base Cabinet

V24-HA	496	608	N/A	N/A	N/A	N/A	N/A
V30-HA	615	754	N/A	N/A	N/A	N/A	N/A
V36-HA	746	914	N/A	N/A	N/A	N/A	N/A



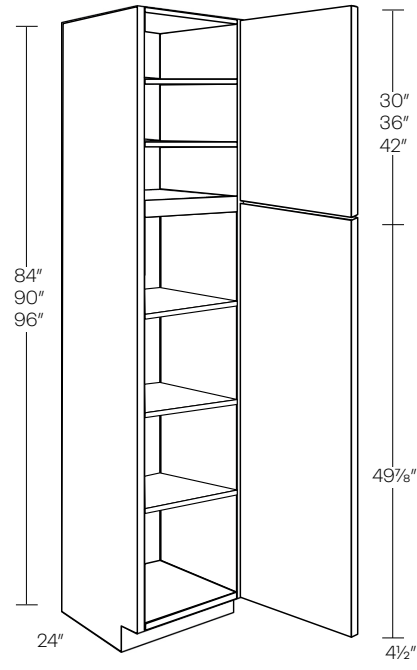
* Please note, Handicap Accessible cabinets may not meet ADA requirements

Item Number	Plus Program			Alvic			
	E	F	G	H	I	J	K
Vanity Drawer Base Cabinet							
VDB12-HA	750	919	N/A	N/A	N/A	N/A	N/A
VDB15-HA	816	1000	N/A	N/A	N/A	N/A	N/A
VDB18-HA	892	1093	N/A	N/A	N/A	N/A	N/A



* Please note, Handicap Accessible cabinets may not meet ADA requirements

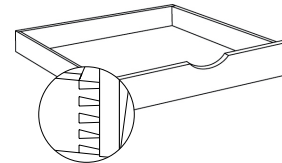
Item Number	Plus Program					Alvic	
	E	F	G	H	I	J	K
Single Door Cabinet							
UC1524X84	1796	2200	1897	2402	2690	2495	2793
UC1524X90	2102	2575	2088	2643	2959	2919	3268
UC1524X96*	2335	2860	2297	2907	3255	3242	3629
UC1824X84	1871	2291	1999	2530	2834	2599	2910
UC1824X90	2189	2682	2094	2650	3117	3040	3406
UC1824X96*	2432	2980	2418	3060	3428	3376	3782
POS15-3	707	707	707	707	707	707	707
POS15-4	954	954	954	954	954	954	954
POS18-3	825	825	825	825	825	825	825
POS18-4	1036	1036	1036	1036	1036	1036	1036



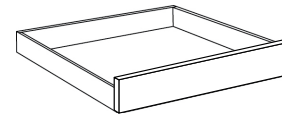
- POS price is in addition to the cabinet list price
- POS will be factory installed
- Side mounted soft-close glides

- White Satin Box: Metal box construction; BLUM upgrade available
- Maple Box: Maple box with dovetail construction; BLUM not available

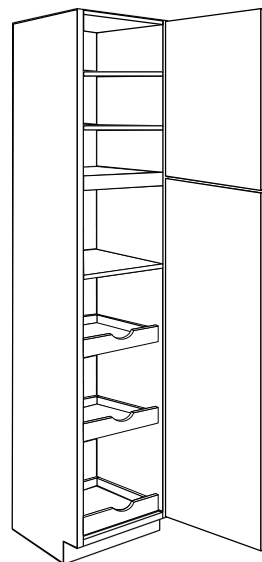
* 84" and 90" has 2 upper shelves
 * 96" has 3 upper shelves



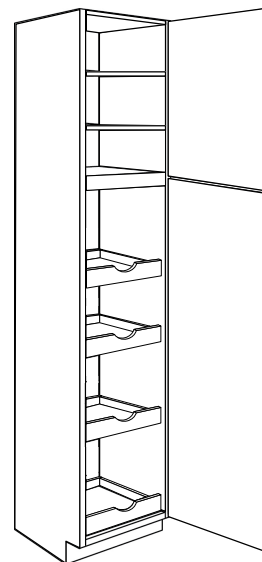
POS - Maple Cabinet Box



POS - White Cabinet Box



POS-3



POS-4

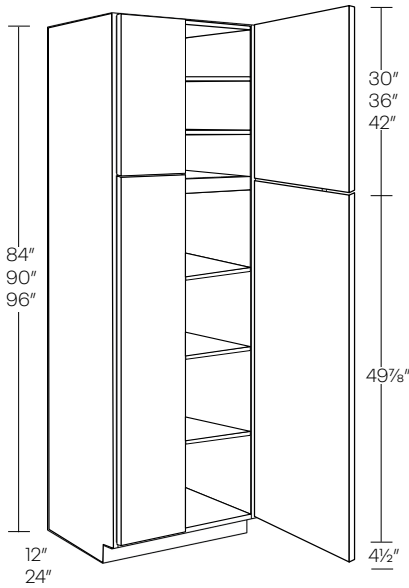
Plus Program

Alvic

Item Number

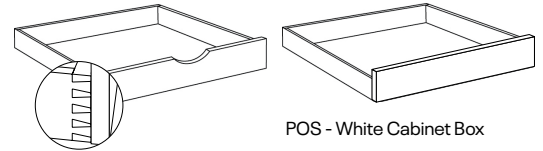
E	F	G	H	I	J	K
---	---	---	---	---	---	---

Double Door Utility Cabinet



UC2412X84	2088	2557	2060	2607	2921	2900	3247
UC2412X90	2277	2790	2265	2867	3212	3164	3542
UC2412X96*	2351	2880	2492	3154	3532	3266	3658
UC2424X84	2154	2639	2334	2955	3308	2993	3351
UC2424X90	2448	2999	2569	3251	3642	3400	3809
UC2424X96*	2721	3334	2826	3576	4005	3779	4232
UC3024X84	2479	3037	2468	3123	3641	3441	3854
UC3024X90	2817	3450	2827	3578	4007	3912	4381
UC3024X96*	3130	3834	3106	3930	4403	4344	4867
POS24-3	942	942	942	942	942	942	942
POS24-4	1193	1193	1193	1193	1193	1193	1193
POS30-3	1011	1011	1011	1011	1011	1011	1011
POS30-4	1285	1285	1285	1285	1285	1285	1285

- POS price is in addition to the cabinet list price
- POS will be factory installed
- POS not available in 12" deep UC
- Side mounted soft-close glides

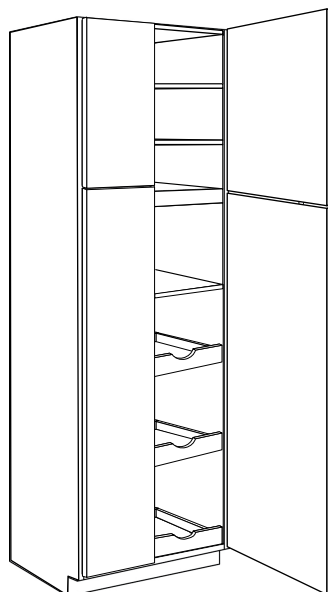


- White Satin Box: Metal box construction; BLUM upgrade available
- Maple Box: Maple box with dovetail construction; BLUM not available

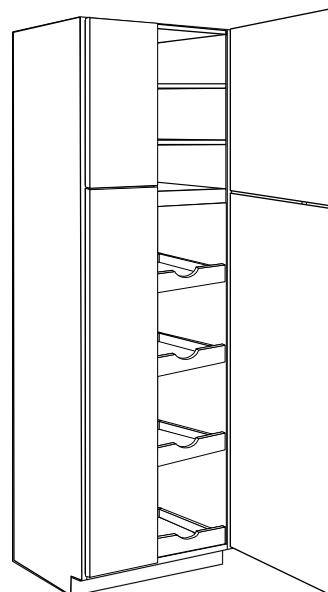
POS - Maple Cabinet Box

POS - White Cabinet Box

- * 84" and 90" has 2 upper shelves
- * 96" has 3 upper shelves



POS-3

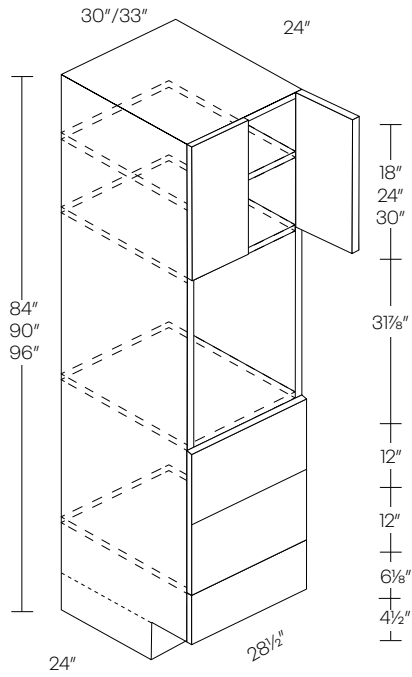


POS-4

Item Number	Plus Program				Alvic		
	E	F	G	H	I	J	K

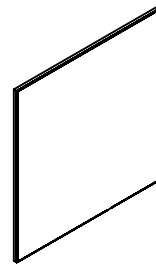
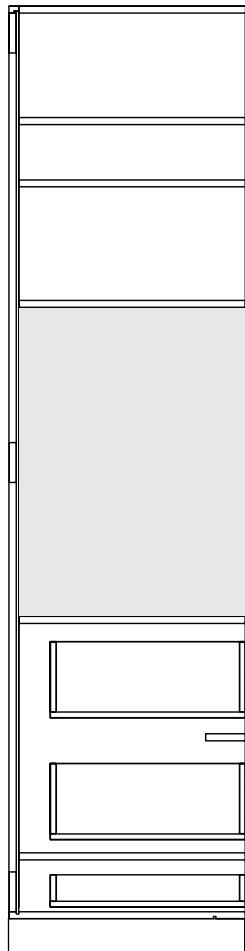
Oven Cabinet

OV3084	2079	2547	2387	3021	3384	2889	3236
OV3090	2209	2706	2536	3210	3595	3069	3436
OV3096*	2340	2865	2683	3395	3803	3249	3639
OV3384	2310	2531	2618	3142	3519	3005	3366
OV3390	2454	2682	2781	3338	3740	3192	3575
OV3396	2599	2834	2942	3531	3955	3379	3785
OV30-TRM	470	564	536	630	662	590	625
OV33-TRM	508	609	579	681	716	620	680



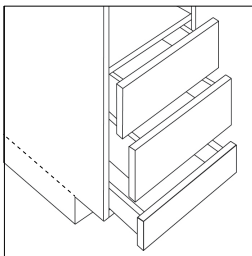
- Has 2 upper shelves
- Maximum vertical opening is 52.5"
- For double wall ovens, remove drawers as needed

Side

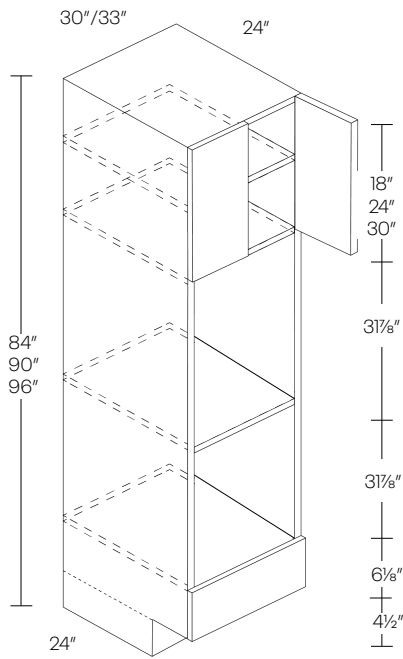


Trim Kit
Keku clip attachment

Bottom drawers open

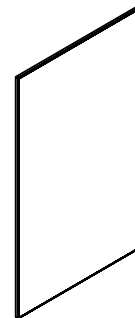
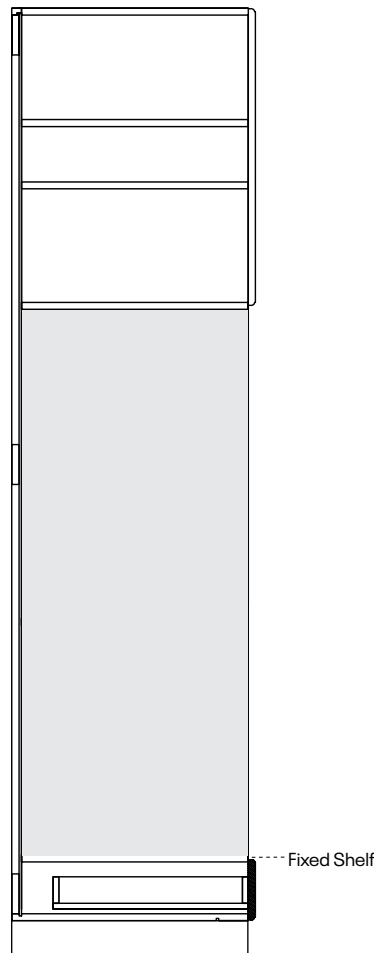


Item Number	Plus Program				Alvic		
	E	F	G	H	I	J	K
Double Oven Cabinet							
OVD3084	2310	2426	2517	3021	3384	2889	3236
OVD3090	2454	2577	2675	3210	3595	3069	3436
OVD3096*	2599	2729	2829	3395	3803	3249	3639
OVD3384	2410	2531	2618	3142	3519	3005	3366
OVD3390	2554	2682	2781	3338	3740	3192	3575
OVD3396*	2699	2834	2942	3531	3955	3379	3785
OVD30-TRM	470	564	536	630	662	590	625
OVD33-TRM	508	609	579	681	716	620	680

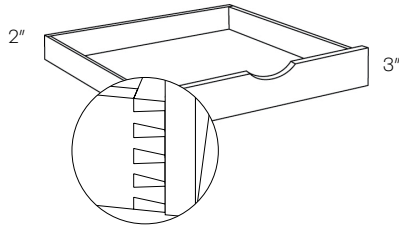


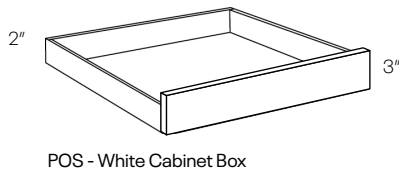
- * Has 2 upper shelves
- Maximum vertical opening is 52.5"
- For double wall ovens, remove drawers as needed

Side



Trim Kit
Keku clip attachment

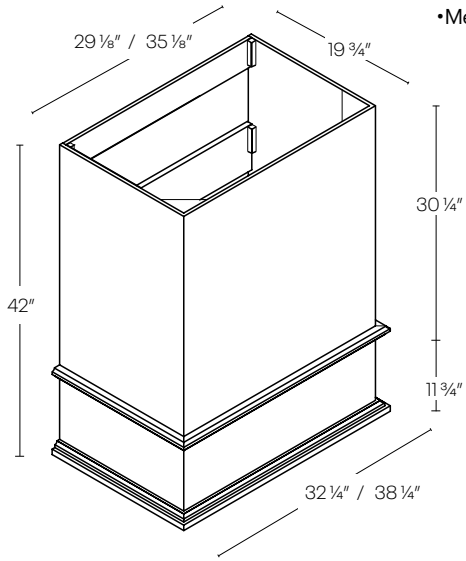
	Item Number	Plus Program			Alvic		
		E	F	G	H	I	J
Pull Out Shelf  POS - Maple Cabinet Box	POS12	198	198	198	198	198	198
	POS15	207	207	207	207	207	207
	POS18	228	228	228	228	228	228
	POS21	240	240	240	240	240	240
	POS24	271	271	271	271	271	271
	POS27	282	282	282	282	282	282
	POS30	294	294	294	294	294	294
	POS33	307	307	307	307	307	307
	POS36	329	329	329	329	329	329
	POS42	345	345	345	345	345	345



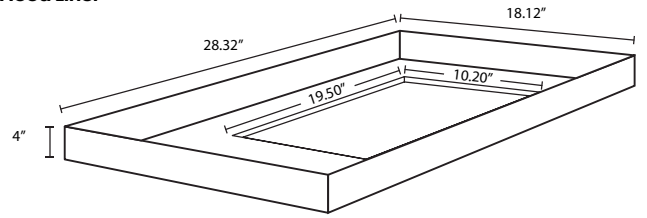
- Ball bearing soft-close glides included
- POS uses dovetail construction
- Two spacers required
- Side mounted soft-close glides
- BLUM glides not available on POS

Item Number	Plus Program					Alvic	
	E	F	G	H	I	J	K
Boxed Wood Hood							
WHB30-T	N/A	N/A	2500	2500	3000	N/A	N/A
WHB36-T	N/A	N/A	3000	3000	3600	N/A	N/A

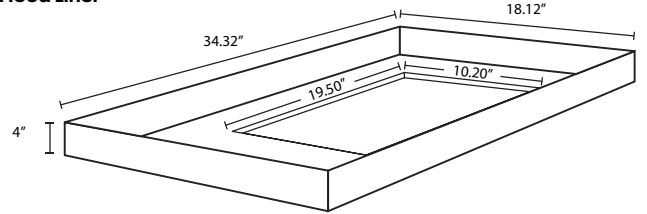
•Metal Liners Included



30" Hood Liner



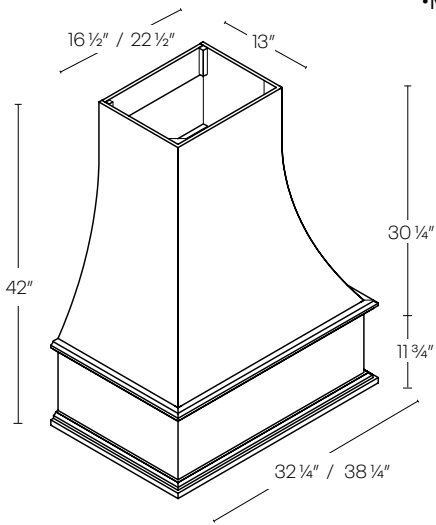
36" Hood Liner



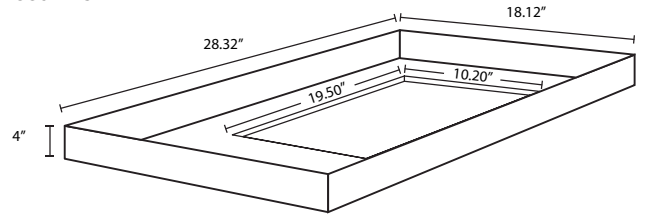
Coved Wood Hood

WHC30-T	N/A	N/A	2500	2500	3000	N/A	N/A
WHC36-T	N/A	N/A	3000	3000	3600	N/A	N/A

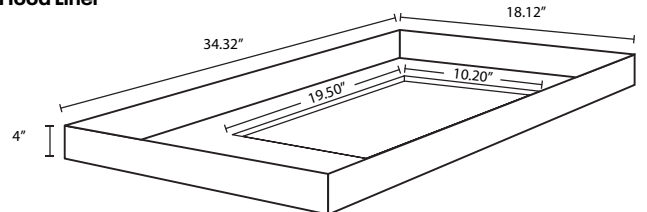
•Metal Liners Included



30" Hood Liner

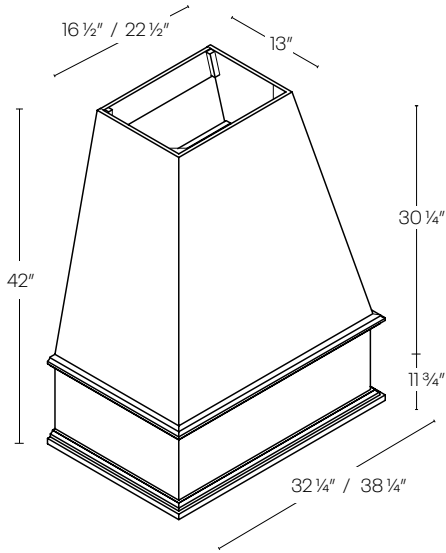


36" Hood Liner

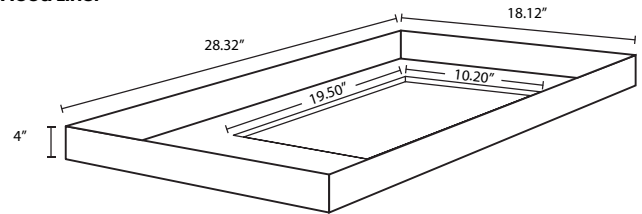


Item Number	Plus Program			Alvic			
	E	F	G	H	I	J	K
Sloped Wood Hood							
WHS30	N/A	N/A	2500	2500	3000	N/A	N/A
WHS36	N/A	N/A	3000	3000	3600	N/A	N/A

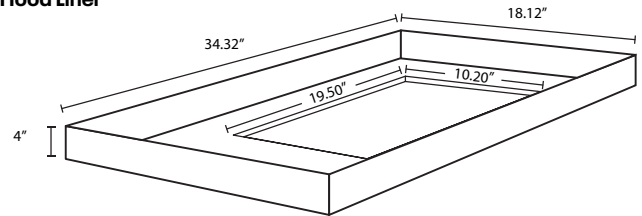
•Metal Liners Included



30" Hood Liner



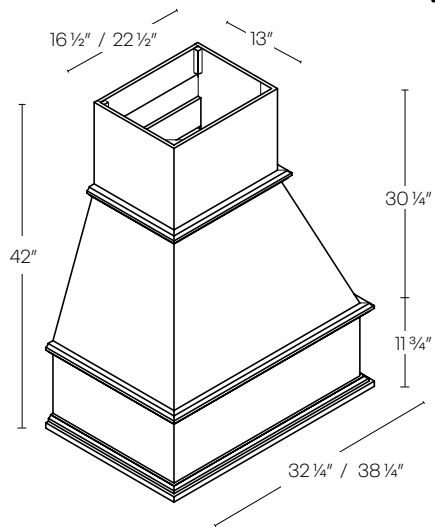
36" Hood Liner



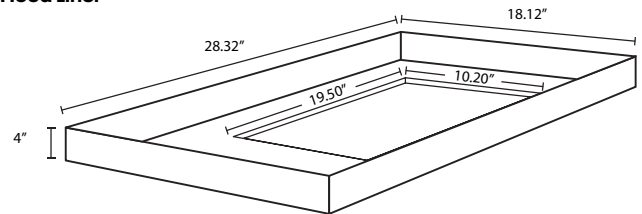
Traditional Wood Hood

WHT30	N/A	N/A	2500	2500	3000	N/A	N/A
WHT36	N/A	N/A	3000	3000	3600	N/A	N/A

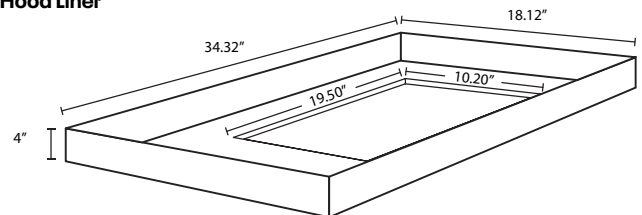
•Metal Liners Included



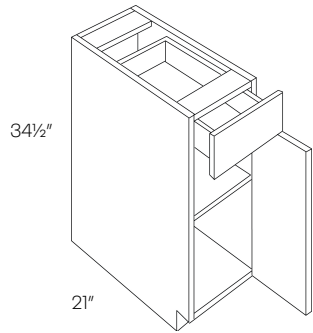
30" Hood Liner



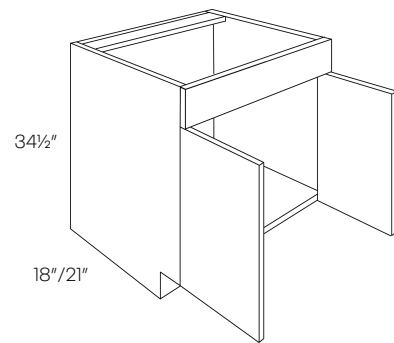
36" Hood Liner



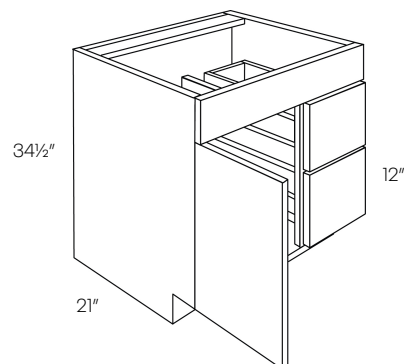
Item Number	Plus Program				Alvic		
	E	F	G	H	I	J	K
1 Door Vanity Base Cabinet							
VB12	503	528	552	768	848	597	671
VB15	527	554	578	802	886	627	704
VB18	552	580	605	837	922	656	737



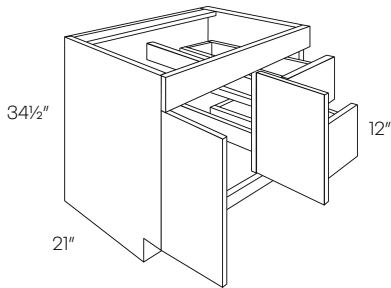
2 Door Vanity Base Cabinet							
V2418	421	516	716	620	651	583	653
V3018	583	714	811	857	900	809	905
V24	496	608	716	905	1015	688	770
V27	556	681	764	966	1076	771	863
V30	615	754	811	1026	1151	853	955
V33	681	834	854	1080	1204	944	1058
V36	746	914	896	1134	1271	1035	1160



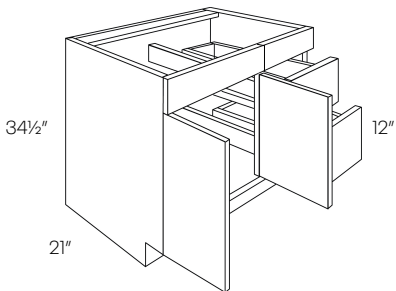
1 Door 2 Drawer Vanity Base Cabinet							
V24DL	711	870	829	995	1045	985	1104
V24DR	711	870	829	995	1045	985	1104
V30DL	810	992	1142	1445	1622	1125	1262
V30DR	810	992	1142	1445	1622	1125	1262



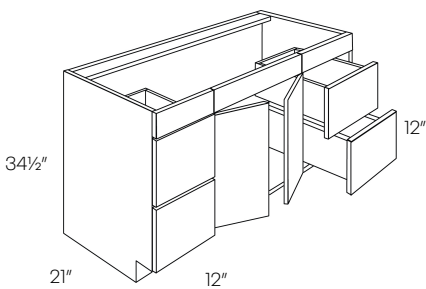
Item Number	Plus Program					Alvic	
	E	F	G	H	I	J	K
2 Door 2 Drawer Vanity Base Cabinet							
V36DL	1107	1356	1174	1485	1662	1537	1721
V36DR	1107	1356	1174	1485	1662	1537	1721



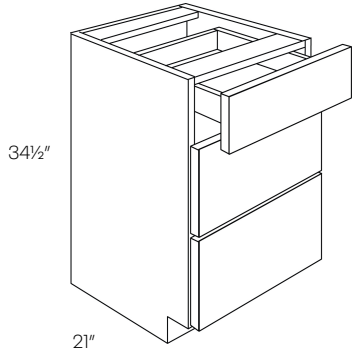
2 Door 2 Drawer Vanity Base Cabinet	V42DL	1191	1460	1313	1660	1861	1653	1852
	V42DR	1191	1460	1313	1660	1861	1653	1852



2 Door & Drawer Vanity Base Cabinet	V48DD	1329	1628	1429	1808	2025	1693	1896
--	--------------	------	------	------	------	------	------	------

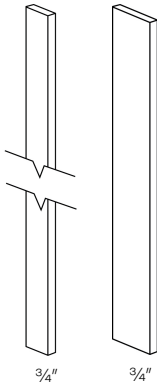


Item Number	Plus Program				Alvic		
	E	F	G	H	I	J	K
Vanity Drawer Base Cabinet							
VDB12	750	919	904	1144	1296	1040	1166
VDB15	816	1000	944	1194	1336	1133	1269
VDB18	892	1093	965	1221	1367	1238	1386
VDB21	968	1186	1061	1274	1404	1341	1507
VDB24	1045	1279	1108	1330	1467	1445	1625



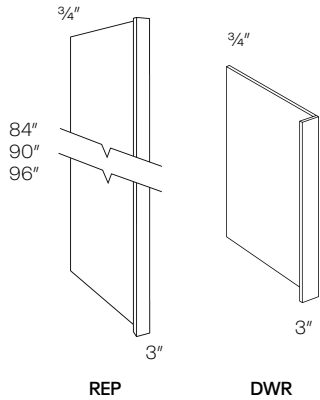
Item Number	Plus Program				Alvic		
	E	F	G	H	I	J	K
F330	45	55	52	67	71	91	121
F342	81	100	95	87	92	129	160
F396	133	163	155	202	213	229	292
F630	63	78	74	113	119	112	142
F642	112	138	131	152	160	196	249
F696	175	214	204	334	351	362	487

Filler



- Overlays available for Alvic
- Fillers finished on all 4 sides

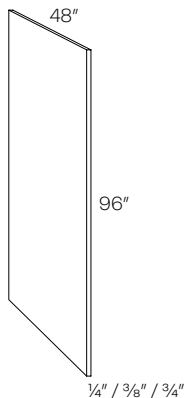
Refrigerator & Dishwasher End Panel



REP384	465	569	542	593	623	N/A	N/A
REP390	482	590	562	623	655	N/A	N/A
REP396	514	630	600	654	687	N/A	N/A
DWR3	213	255	243	344	362	N/A	N/A
DWR6	N/A	N/A	302	382	402	N/A	N/A

- Overlays available for Alvic

Plywood Panel

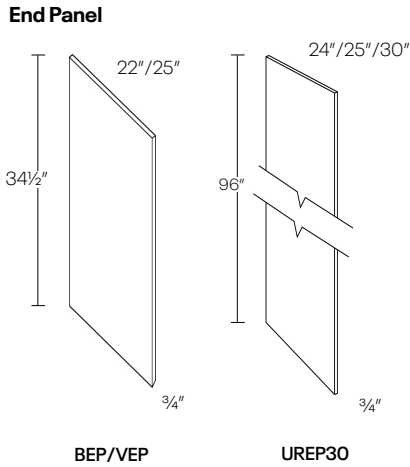


PLY4X8.25	N/A	N/A	849	517	543	N/A	N/A
PLY4X8.375	1000	1100	N/A	N/A	N/A	N/A	N/A
PLY4X8.75	1244	1389	1323	1668	1752	48*	80*

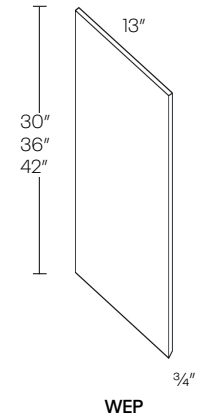
*Price per square foot

Collection	Width
Versailles/Highland	1/4"
Broadway/Milano	3/8"
Alvic	3/4"

Item Number	Plus Program				Alvic		
	E	F	G	H	I	J	K
End Panel							
BEP	250	300	300	300	350	357	419
VEP	250	300	300	300	350	357	419
WEP30	145	240	240	240	275	136	216
WEP36	174	260	260	260	295	155	260
WEP42	203	280	280	280	325	180	302
UREP24	N/A	N/A	361	434	455	920	1032
UREP25	737	774	N/A	N/A	N/A	920	1032
UREP30	882	941	896	605	636	1067	1196

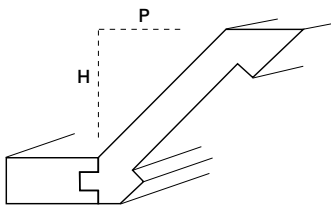


- *Price per square foot
- Broadway (column E) & Milano (column F) can be factory installed
- All end panels are MDF



Full Overlay Crown Moldings	MFLOCR	N/A	N/A	400	501	527	400	N/A
------------------------------------	---------------	-----	-----	-----	-----	-----	-----	-----

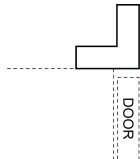
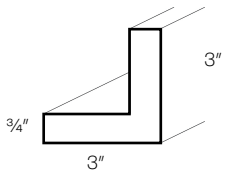
• 8 Feet long



MFLOCR
Height: 3 1/2"
Projection: 2 1/2"

Item Number	Plus Program					Alvic	
	E	F	G	H	I	J	K
CCM	263	322	307	403	423	N/A	N/A

Contemporary Crown Molding



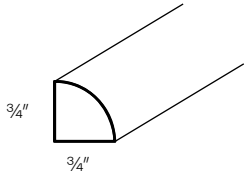
Suggested Use

- 8 Feet long
- Outer ends are finished
- Not available in Alvic

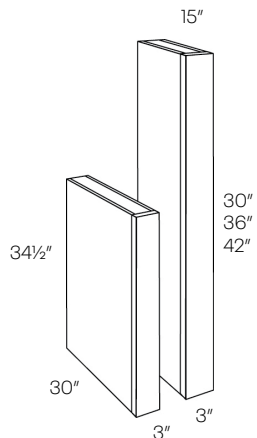
Shoe Molding

SHM	119	119	119	143	151	119	119
------------	-----	-----	-----	-----	-----	-----	-----

- 8 Feet long
- Not available in Alvic



Column



CLM-B30 (34½"H X 30"D)	565	692	659	570	599	N/A	N/A
CLM-30X15 (30"H X 15"D)	225	275	262	288	303	N/A	N/A
CLM-36X15 (36"H X 15"D)	299	366	349	322	339	N/A	N/A
CLM-42X15 (42"H X 15"D)	299	366	349	357	375	N/A	N/A

- Finished 3 sides
- Trimmable
- Not available in Alvic

Plus Program

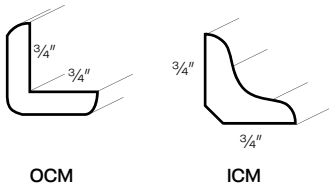
Alvic

Item Number

E	F	G	H	I	J	K
---	---	---	---	---	---	---

Corner Molding

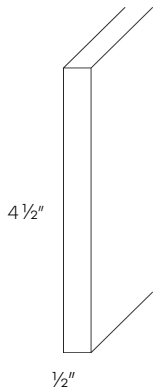
OCM	107	124	118	136	143	N/A	N/A
ICM	107	124	118	136	143	N/A	N/A



- 8 Feet long
- Not available in Alvic

Toe Kick

TKS	83	102	97	113	119	230	292
-----	----	-----	----	-----	-----	-----	-----

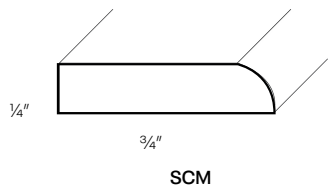


- 8 Feet long

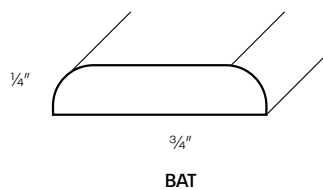
Collection	Width
Versailles/Highland	1/4"
Broadway/Milano	3/8"
Alvic	3/4"

Scribe Molding

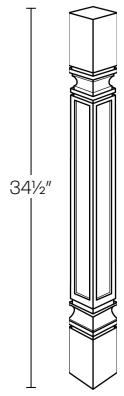
SCM	71	91	87	111	117	N/A	N/A
BAT	N/A	N/A	87	111	117	N/A	N/A



- 8 Feet long
- Not available in Alvic



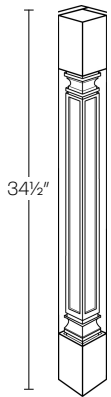
Item Number	Plus Program			Alvic				
	E	F	G	H	I	J	K	
Post	POST-S	N/A	N/A	1103	1391	1461	N/A	N/A



POST-S

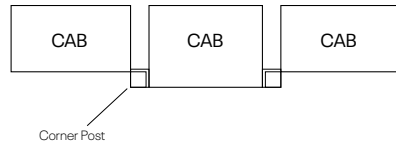
• 3" X 3"

Corner Post	POST-S-CR	N/A	N/A	495	495	520	N/A	N/A
--------------------	-----------	-----	-----	-----	-----	-----	-----	-----

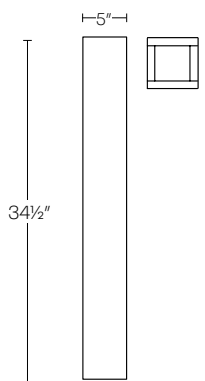


POST-S-CR

• 3" X 3"



Large Post	POST5-C	N/A	N/A	1119	1119	1175	N/A	N/A
-------------------	---------	-----	-----	------	------	------	-----	-----

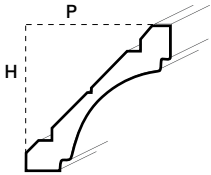


POST5-C

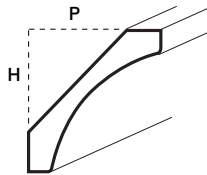
• 5" X 5"

Item Number	Plus Program					Alvic	
	E	F	G	H	I	J	K
Royal Crown Molding							
RCRMC	N/A	N/A	397	501	527	N/A	N/A
RCRMR	N/A	N/A	397	501	527	N/A	N/A

• 8 Feet long



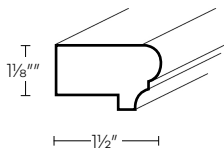
RCRMC LTRMI
Height: 3/8"
Projection: 3/8"



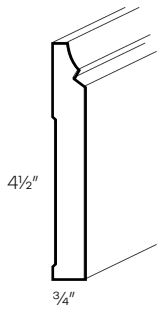
RCRMR
Height: 2 1/16"
Projection: 1 15/16"

Light Rail Molding	LTRMI	N/A	N/A	275	330	276	N/A	N/A
---------------------------	--------------	-----	-----	-----	-----	-----	-----	-----

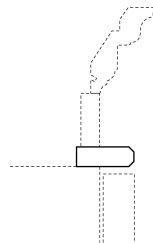
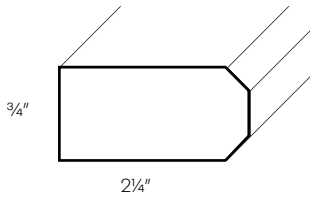
• 8 Feet long



Item Number	Plus Program			Alvic			
	E	F	G	H	I	J	K
Base Molding							
BSMS	N/A	N/A	283	357	375	N/A	N/A

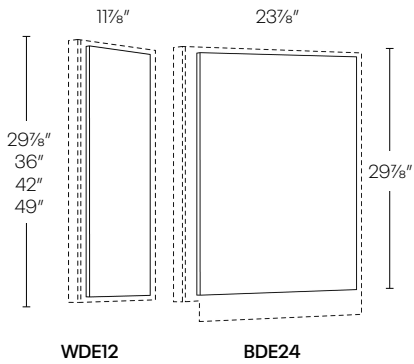


Item Number	Plus Program			Alvic			
	E	F	G	H	I	J	K
Trim Molding							
TBMS	N/A	N/A	130	164	173	N/A	N/A



*Suggested use

Item Number	Plus Program			Alvic			
	E	F	G	H	I	J	K
Decorative End							
WDE1230	158	166	175	249	262	N/A	N/A
WDE1236	216	226	249	352	370	N/A	N/A
WDE1242	263	276	292	415	436	N/A	N/A
WDE1250	325	342	361	511	537	N/A	N/A
BDE24	N/A	N/A	420	595	625	N/A	N/A



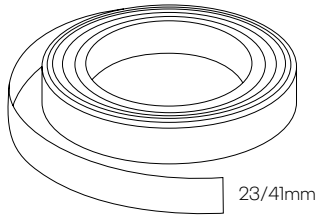
• Use finished skin to flush with frame

Plus Program

Alvic

Item Number	Plus Program			Alvic				
	E	F	G	H	I	J	K	
Edgeband	EDGEBAND	19	20	N/A	105	111	*	*

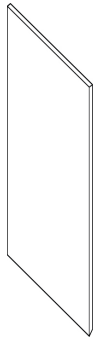
* Alvic Edgeband only sold in roll



Custom Panel	PLL-CUS	*	*	*	*	*	18	80
---------------------	----------------	---	---	---	---	---	----	----

- Customer must provide drawings and dimensions for custom price quote and lead time
- Can not be combined with existing quote
- Custom Panels will have an extended lead time

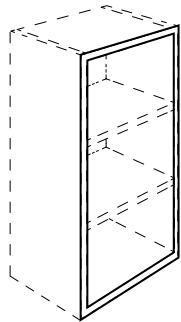
* Panels are made custom, please provide accurate drawings with your order



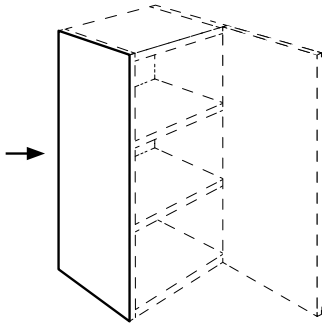
Matching Edgeband	EDGEBAND	*	*	N/A	N/A	N/A	**	**
--------------------------	-----------------	---	---	-----	-----	-----	----	----

* Matching edgeband is a 10% upcharge of cabinet price

** Factory Installed for Alvic orders



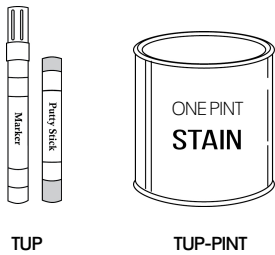
Item Number	Plus Program					Alvic	
	E	F	G	H	I	J	K
Integrated Finished End							
BFP*	N/A	151**	290	348	388	N/A	N/A
VFP*	N/A	131**	270	324	363	N/A	N/A
WFP12*	N/A	47**	160	192	200	N/A	N/A
WFP15*	N/A	54**	175	210	220	N/A	N/A
WFP18*	N/A	60**	190	228	240	N/A	N/A
WFP24*	N/A	62**	204	204	225	N/A	N/A
WFP30*	N/A	69**	228	228	250	N/A	N/A
WFP36*	N/A	83**	252	252	275	N/A	N/A
WFP42*	N/A	92**	264	264	288	N/A	N/A
TFP84*	N/A	377**	732	732	813	N/A	N/A
TFP90*	N/A	404**	780	780	863	N/A	N/A
TFP96*	N/A	432**	816	816	900	N/A	N/A



* Factory applied for Milano, Versailles & Highland
 **Price listed is for one finished side; for double sided finished side, multiply price by two

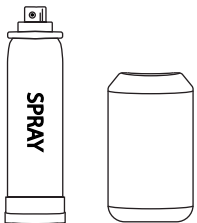
Touch Up Kit	TUP	100	100	100	100	100	N/A	N/A
	TUP-PINT	N/A	N/A	118	118	118	N/A	N/A
	CHW-UNI-AERSOL-SPRAY	N/A	N/A	100	100	100	N/A	N/A

*Must purchase TUP-PINT with Aerosol



TUP

TUP-PINT

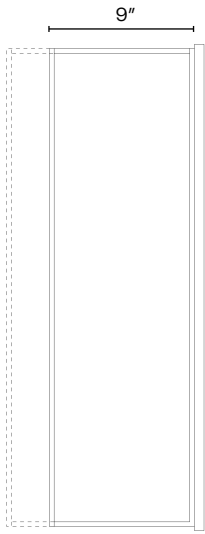


CHW-UNI-AERSOL-SPRAY

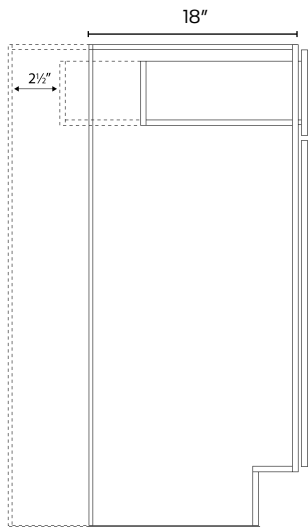
Modifications & Upgrades



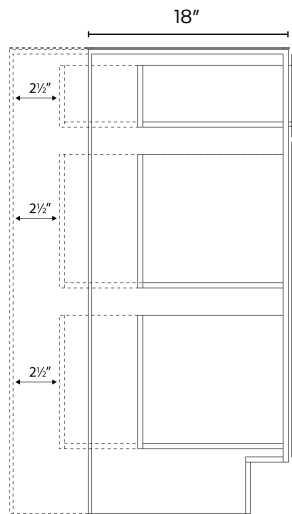
Classic Collection



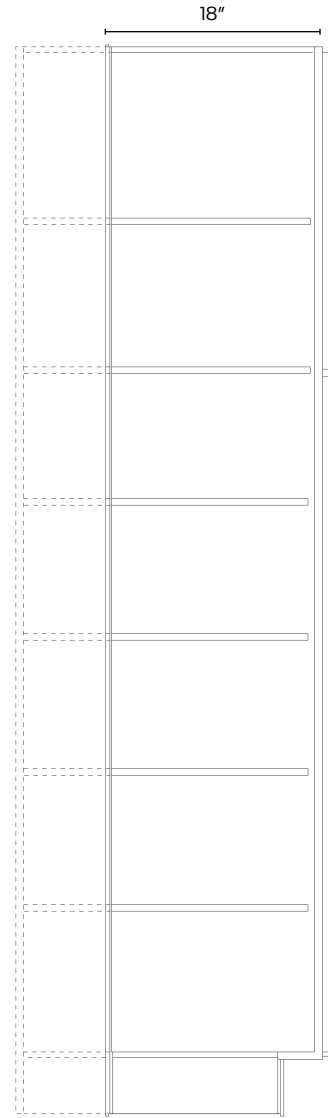
Wall Cabinet



Base Cabinet



Drawer Base Cabinet
*Dovetail not in back

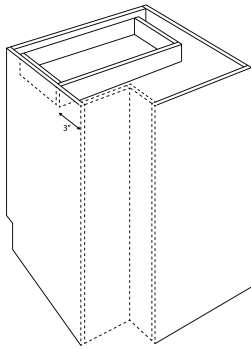


Tall Cabinet

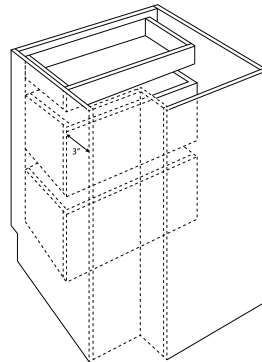
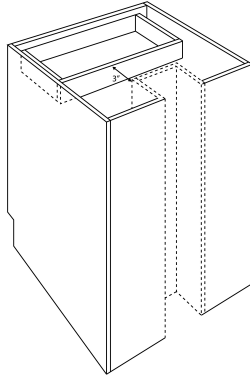
Cut Down	Description	List Price
CT-BCUT*	Base cabinet, cut down depth	572
CT-DBCUT*	Drawer base cabinet, cut down depth	806
CT-TCUT*	Tall cabinet, cut down depth	806
CT-WCUT**	Wall cabinet, cut down depth	460
CT-B-WIDTHCUT	Base cabinet, cut down width	672
CT-DB-WIDTHCUT	Drawer Base cabinet, cut down width	906
CT-T-WIDTHCUT	Tall cabinet, cut down width	906
CT-W-WIDTHCUT	Wall cabinet, cut down width	672
CT-HEIGHTCUT	Cut down height (only available in Alvic)	906

*Can be cut down to 9", 12", 15", 18" & 21" | **Can be cut down to 6", 9" & 11"

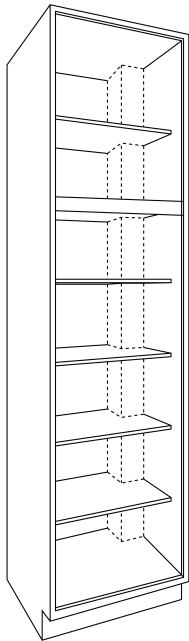
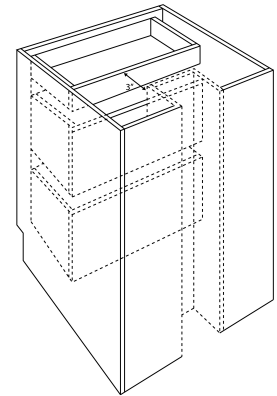
*All 9" Base Cabinets will have a dummy drawer front



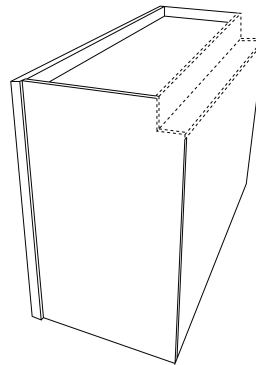
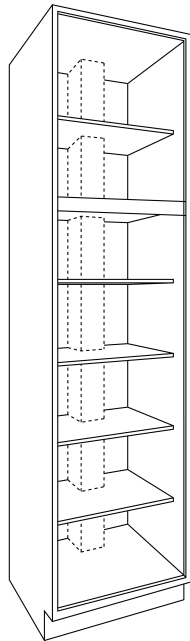
Base Cabinet



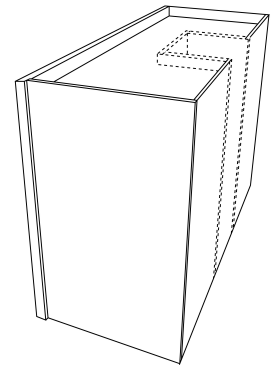
Drawer Base Cabinet



Tall Cabinet



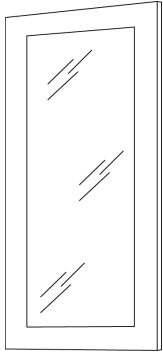
Wall Cabinet



Chase Cuts	Description	List Price
CT-BCHASE	Base cabinet, chase cut	920
CT-DBCHASE	Drawer base cabinet, chase cut	1142
CT-TCHASE	Tall cabinet, chase cut	1266
CT-WCHASE	Wall cabinet, chase cut	806

- Non-stock cabinets, parts including doors and drawers, custom modifications, wood hoods and countertops (post form and self-edge) are not returnable.
- Must provide accurate drawings with your order
- Only available in NorthEast

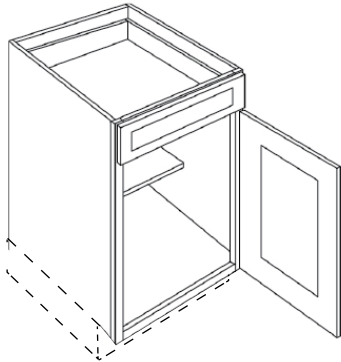
Door cut for glass



Item	Description	List Price
CT-DCG	Door cut for glass	205
CT-DCG-GLI	Door cut and insert glass	381
CT-DCG-GLI-F	Door cut and insert frosted glass	576
CT-GLI	Glass Insert	197
CT-GLI-F	Frosted glass insert	392

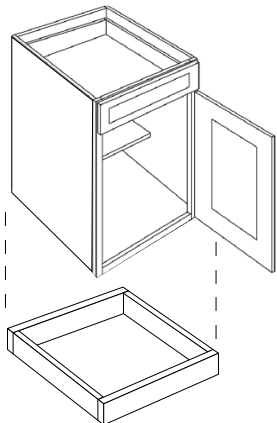
- Only available in Versailles
- Only Wall Cabinets can be cut for glass
- Loose glass not for sale
- *Per door cost shown above

Remove Toe Kick



CT-HANDICUT	Base cabinet, cut off toe kick	116
--------------------	--------------------------------	-----

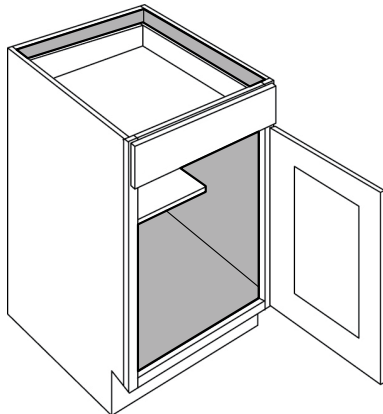
Cut and Send Toe Kick



CT-HANDICUT	Base cabinet, cut off toe kick and ship	116
--------------------	---	-----

Item	Description	List Price
------	-------------	------------

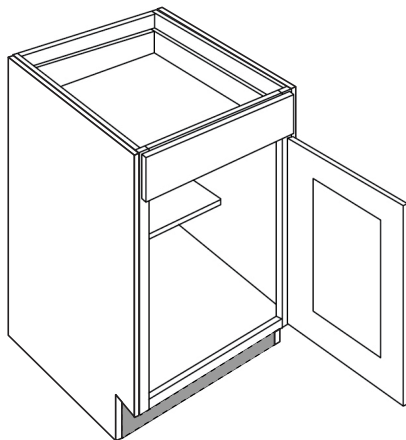
Finished Interior



CT-FINISH-B	Finished Interior - Base Cabinet	450
CT-FINISH-W	Finished Interior - Wall Cabinet	450
CT-FINISH-T	Finished Interior - Tall Cabinet	800

- Drawers will not be finished

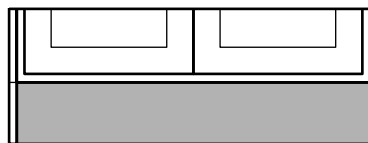
Recessed Toe Kick



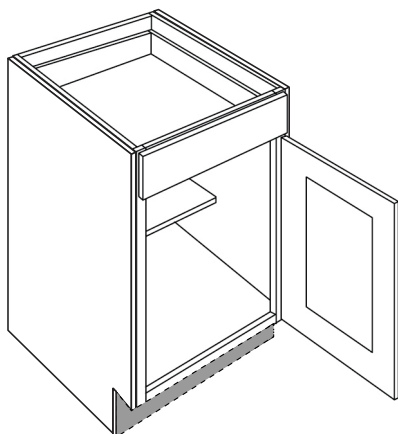
CT-TK-REDUCE	Recessed Toe Kick	800
---------------------	-------------------	-----

- Must specify front, left, right dimensions

Front View - Toe Kick

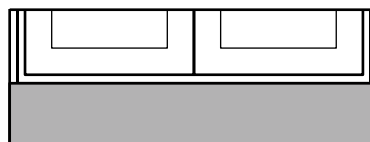


Flush Toe Kick



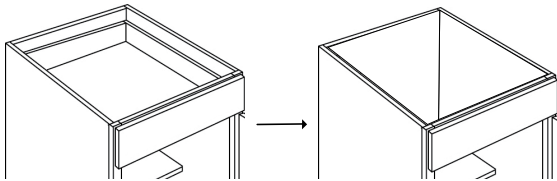
CT-TKFLUSH	Flush Toe Kick	600
-------------------	----------------	-----

Front View - Toe Kick



Item	Description	List Price
CHARGE-SINK BASE	Base to Sink Base	210

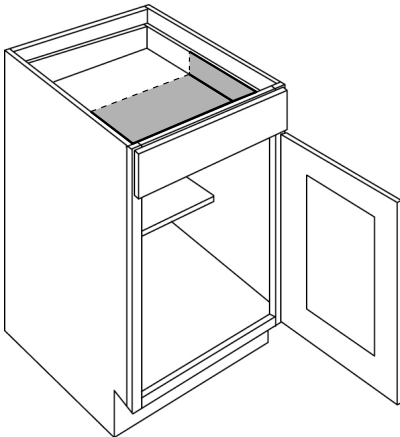
Base Cabinet to Sink Base



Reduced Top Drawer

CT-TD-REDUCE	Reduce Depth of Top Drawer	120
---------------------	----------------------------	-----

- Can be cut down to 9", 12", 15", 18" & 21"

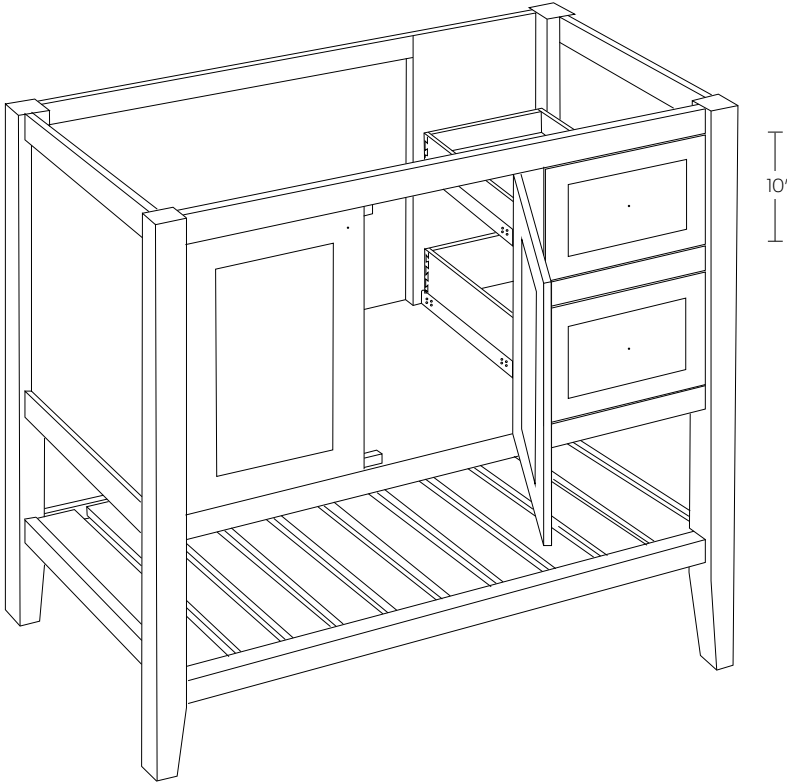


Specifications & Pricing



Vanguard Collection

Vanguard Vanities



Interior — Finished with the same finish as the outside

Drawers — 5/8" solid wood Dovetail sides 3/8" thick bottom

Hinges — Heavy duty steel concealed adjustable soft close hinge.

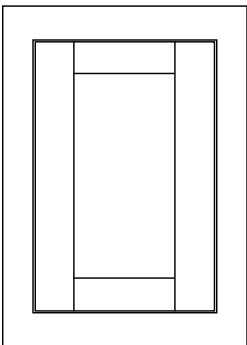
Glides — High quality soft-close under-mount glides.

*Open back behind all doors

*Pre-drilled holes for hardware

24"/30" Vanities have 4" spread on vanity top

36" and higher Vanities have 8" spread

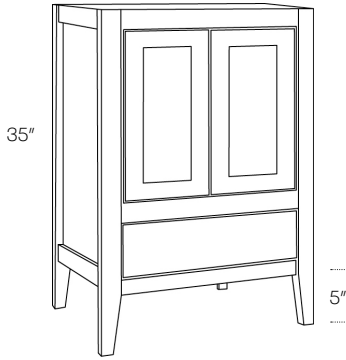


Finish	Price Code	Species
VG10 - White (paint)	V	Solid Wood
VG11 - Espresso (stain)	V	Solid Wood
VG22 - Dove (paint)	V	Solid Wood
VG26 - Indigo (paint)	V	Solid Wood

Item Number	V
-------------	---

Bottom Drawer Vanity

VBD2421	838
VBD3021	887
VBD3621	1015

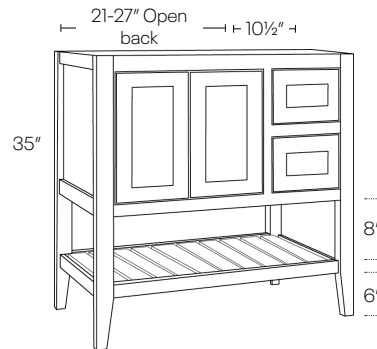


- Use tops pg. 164
- Open back
- Drawers are 3" high inside

Item Number	V
-------------	---

Open Bottom Right Drawers Vanity

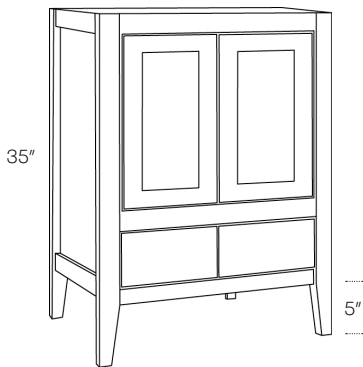
VOB3621-DR	1251
VOB4221-DR	1374



- Use tops pg. 164
- Top drawer is 1 3/8" high inside
- Bottom drawer is 3" high inside

Double Bottom Drawer Vanity

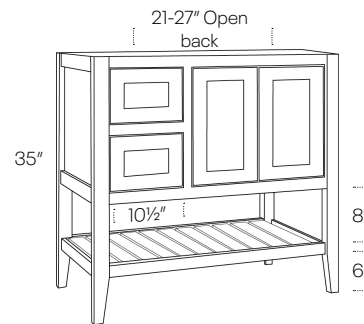
VBD4221	1442
VBD4821	1473



- Use tops pg. 164
- Open back
- Drawers are 3" high inside

Open Bottom Left Drawers Vanity

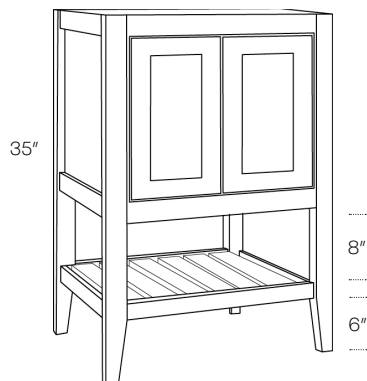
VOB3621-DL	1251
VOB4221-DL	1374



- Use tops pg. 164
- Top drawer is 1 3/8" high inside
- Bottom drawer is 3" high inside

Open Bottom Vanity

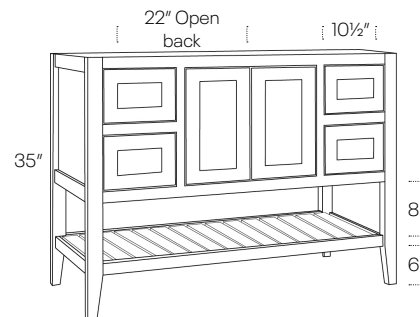
VOB2421	806
VOB3021	894
VOB3621	983
VOB4221	1071



- Use tops pg. 164
- Open back

Open Bottom Double Drawers Vanity

VOB4821-DD	1821
------------	------



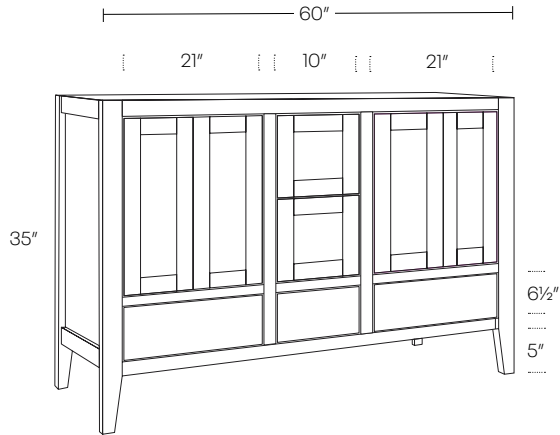
- Use tops pg. 164
- Top & bottom drawers are 3" high inside

Item Number	V
-------------	---

Bottom Drawer Vanity

VBD6021-DC	2092
------------	------

• Use tops pg. 164

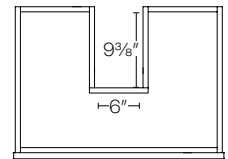
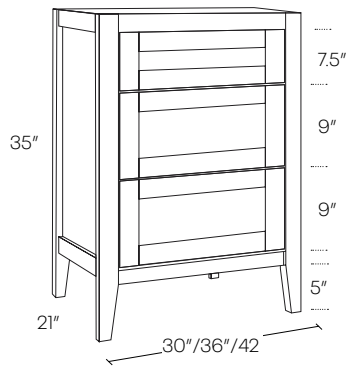


Item Number	V
-------------	---

Double Drawers Vanity

VDD3021	973
VDD3621	1185
VDD4221	1646

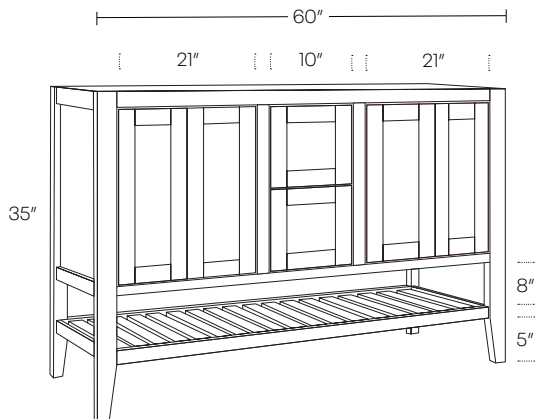
- Use tops pg. 164
- Open back
- Drawers cut for plumbing



Open Bottom Vanity

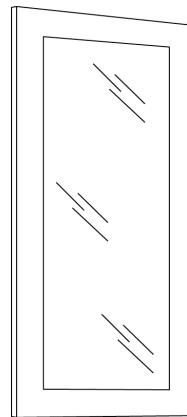
VOB6021-DC	1909
------------	------

• Use tops pg. 164



Mirror

MR1830	432
MR2430	543
MR3030	586
MR3630	647



Specifications & Pricing

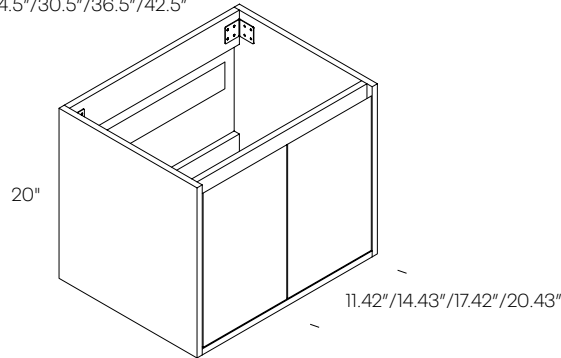


Surelle Collection

Item Number	Bianca SL30	Grigio SL31	Cemento SL32	Noce SL33
-------------	-------------	-------------	--------------	-----------

Double Door Floating Vanity

24.5"/30.5"/36.5"/42.5"



vanity base

V2418-20	N/A	580	404	414
V3018-20	N/A	652	448	459
V3618-20	724	722	491	503
V4218-20	796	793	534	548

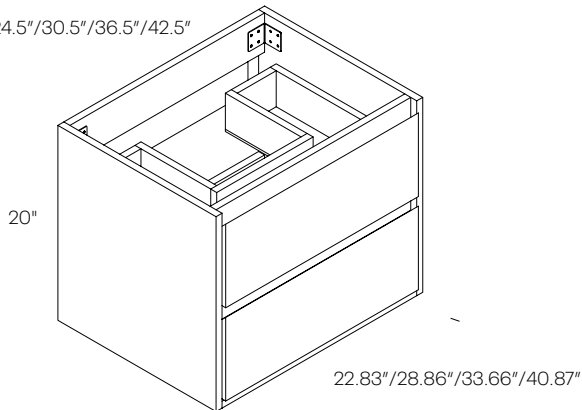
vanity top

FT2-2519	N/A	442	442	442
FT2-3119	N/A	541	541	541
FT2-3719	578	578	578	578
FT2-4319	623	623	623	623

- SLU30-V2418-20 has been discontinued
- SLU30-V3018-20 has been discontinued

Double Drawer Floating Vanity

24.5"/30.5"/36.5"/42.5"



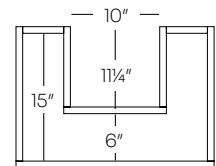
vanity base

VDB2418-20	1080	1083	878	894
VDB3018-20	1179	1183	947	966
VDB3618-20	1294	1383	1027	1050
VDB4218-20	1377	1435	1086	1111

vanity top

FT2-2519	442	442	442	442
FT2-3119	541	541	541	541
FT2-3719	578	578	578	578
FT2-4319	623	623	623	623

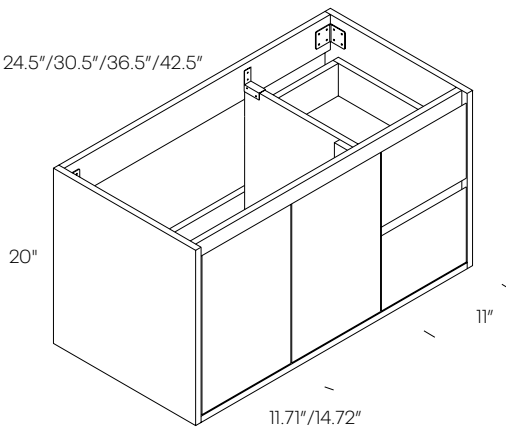
- Drawers cut for plumbing



Inside drawer

Double Door and Drawer Floating Vanity

24.5"/30.5"/36.5"/42.5"



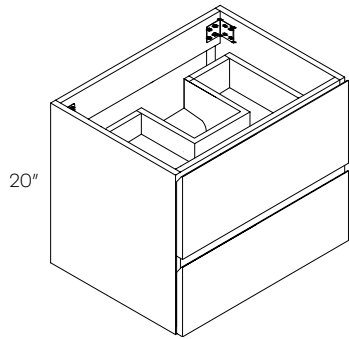
vanity base

V3618DL-20	1212	1212	944	960
V3618DR-20	1212	1212	944	960
V4218DL-20	1495	1290	994	1011
V4218DR-20	1495	1290	994	1011

vanity top

FT2-2519	442	442	442	442
FT2-3119	541	541	541	541
FT2-3719	578	578	578	578
FT2-4319	623	623	623	623

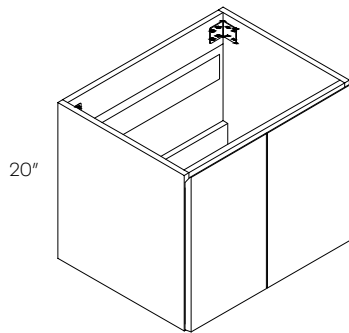
Item Number	Plus Program					Alvic	
	E	F	G	H	I	J	K
Double Drawer Floating Vanity							
FVDB2418	878	1080	N/A	N/A	N/A	N/A	N/A
FVDB3018	947	1179	N/A	N/A	N/A	N/A	N/A
FVDB3618	1027	1294	N/A	N/A	N/A	N/A	N/A



- Interior matches door color
- Metal Drawer Box
- Soft-close glides

Collection	Available Finishes
Broadway	Cotton, Beach
Milano	Polar White, Sand

Double Door Floating Vanity							
FV2418	404	580	N/A	N/A	N/A	N/A	N/A
FV3018	448	653	N/A	N/A	N/A	N/A	N/A
FV3618	491	724	N/A	N/A	N/A	N/A	N/A



- Interior matches door color
- Metal Drawer Box
- Soft-close hinges

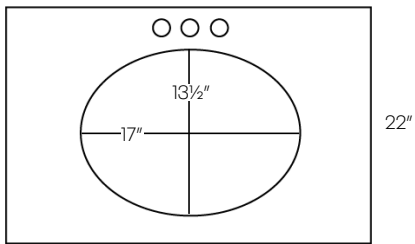
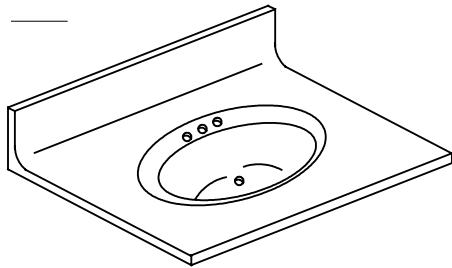
Collection	Available Finishes
Broadway	Cotton, Beach
Milano	Polar White, Sand

Marble & Granite Countertops

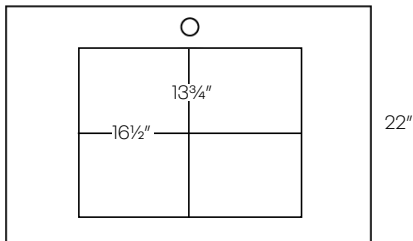
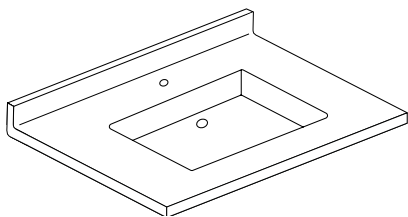
White

Cultured Marble Top

MT



MTS



MT2-1917*	147
MT2-2122	221
MT2-2519*	192
MT2-3119*	245
MT2-2522*	279
MT2-2822*	289
MT2-3122*	299
MT2-3422*	341
MT2-3722*	383
MT2-4322*	472
MT2-4922*	512
MTS2-2522	343
MTS2-2822	382
MTS2-3122	420
MTS2-3422	446
MTS2-3722	472
MTS2-4322	535
MTS2-4922	630
MTS2-6122	930
MTS2-6122-DB	1013

***Sold only in the Northeast**

• Single bowl

• Side Spalsh not available

* Center bowl - 4" spread

Granite Countertops

Burlywood (GBW)	Tiger Skin (GTS)	Wheat (GWT)	Cara White (GCW)	Cara White (GCWS)	Gazian White (GGW)
-----------------	------------------	-------------	------------------	-------------------	--------------------

Granite Top

Includes:

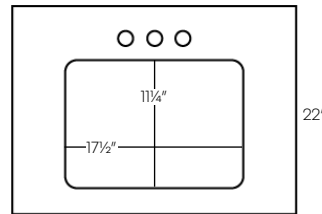
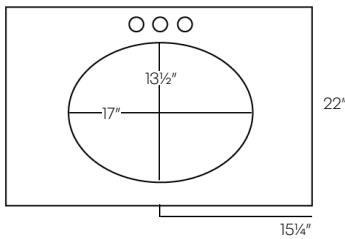
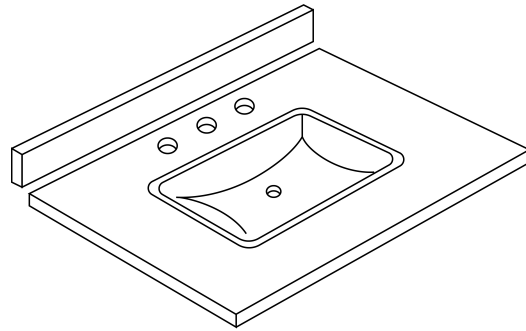
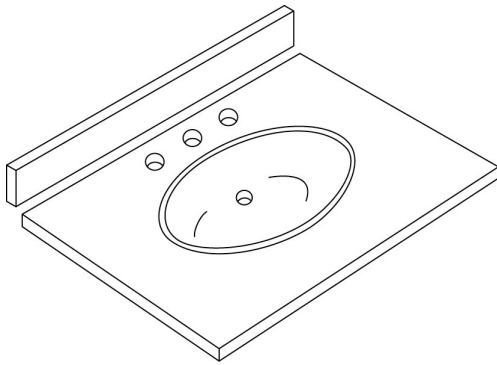
- White porcelain undermount bowl (installed)
- Loose 4" backsplash

- * Center bowl - 4" spread
- ** Center bowl - 8" spread
- *** Double bowl - 8" spread

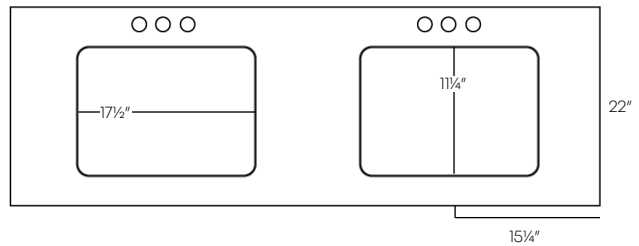
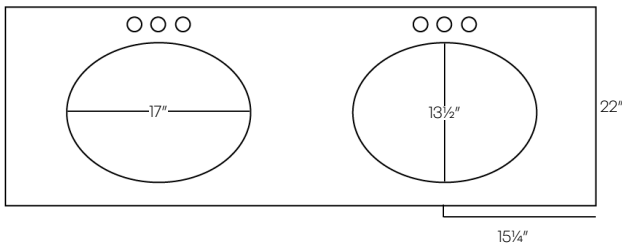
2522-S4*	491	499	524	748	899	676
3122-S4*	551	567	598	880	1058	743
3722-S8**	603	632	662	997	1195	808
4322-S8**	653	700	735	1106	1327	877
4922-S8**	739	781	821	1265	1518	947
6122-S8**	843	911	956	1491	1789	1196
6122-D8***	1011	1073	1129	1663	1994	1426
SDSP-22 (side splash)	47	47	47	89	89	72
6X6-SP (sample)	13	13	13	13	13	13

*Sold only in the Northeast

- GCWS is square
- CGT6122-S8 will not fit on the Vanguard Vaintry Collection



- 20% upcharge
- Only Available in CW and GGW



Rev-A-Shelf Accessories

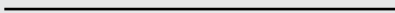
Item	SKU	Cabinet	Collection	List Price	List Price W/ Install
WASTE BASKET ACCESSORIES					
Single 35 qt. w/ 18" chrome slides	RV-12KD-17C S	B15	All	320	400
Single 35 qt. w/ 18" chrome slides	RV-12KD-18C S	B15	All	462	542
Door Mount Kit	RVDMKIT	N/A	All	114	N/A
Maple Bottom Mount Waste Container Single 35 qt.	4WCSC-1535DM-1	B15	All	1,392	1,472
Maple Bottom Mount Waste Container Double 35 qt.	4WCSC-1835DM-2	B18	All	1,500	1,580
Maple Bottom Mount Waste Container Double 35 qt.	4WCSC-2135DM-2	B21	All	1,591	1,671
Maple Bottom Mount Waste Container Double 50 qt.	4WCSC-2150DM-2	B21-FH	All	1,658	1,738
Steel Bottom Mount Waste Container Single 35 qt.	53WC-1535SCDM-117	B15	All	734	814
Steel Bottom Mount Waste Container Double 35 qt.	53WC-1835SCDM-217	B18	All	780	860
Steel Bottom Mount Waste Container Double 50 qt.	53WC-2150SCDM-217	B18-FH	All	793	873
CORNER ACCESSORIES					
Maple Single Blind Corner Organizer	5371-15-MP-R	BLB45/48	Luxor, Concord	1,063	1,063
Maple Single Blind Corner Organizer	5371-15-MP-L	BLB45/48	Luxor, Concord	1,063	1,063
Maple Double Blind Corner Organizer	5372-15-MP-R	BLB45/48	Luxor, Concord	2,409	2,409
Maple Double Blind Corner Organizer	5372-15-MP-L	BLB45/48	Luxor, Concord	2,409	2,409
Gray Single Blind Corner Organizer	5371-15-GR-R	BLB45/48	Luxor, Concord	1,063	1,063
Gray Single Blind Corner Organizer	5371-15-GR-L	BLB45/48	Luxor, Concord	1,063	1,063
Gray Double Blind Corner Organizer	5372-15-GR-R	BLB45/48	Luxor, Concord	2,409	2,409
Gray Double Blind Corner Organizer	5372-15-GR-L	BLB45/48	Luxor, Concord	2,409	2,409
Fog Single Blind Corner Organizer	5371-15-FOG-R	BLB45/48	Luxor, Concord	1,080	1,200
Fog Single Blind Corner Organizer	5371-15-FOG-L	BLB45/48	Luxor, Concord	1,080	1,200
Fog Double Blind Corner Organizer	5372-15-FOG-R	BLB45/48	Luxor, Concord	2,407	2,527
Fog Double Blind Corner Organizer	5372-15-FOG-L	BLB45/48	Luxor, Concord	2,407	2,527
Wood Half Moon Double Shelf with Pivot and Slide	4WLS882-32-570	BLB42/45	All	1,336	1,456
Wood Half Moon Double Shelf with Pivot and Slide	4WLS882-35-570	BLB45/48	All	1,563	1,683
BASE ACCESSORIES					
Two-tier cookware Organizer	5CW2-2122SC-CR	B24	All	1292	1372
Tray Divider w/ Clips	597-12CR-52	N/A	All	49	129
Tray Divider w/ Clips	597-18CR-52	N/A	All	62	142
6" Base Filler Organizer	432-BF-6C	N/A	All	1,010	1,090
6" Base Filler Organizer W/ Soft-close	432-BFSC-6C	N/A	All	1,309	1,389
Base Organizer	448-BCSC-5C	B9-FH	All	1,135	1,215
Base Organizer	448-BCSC-8C	B12-FH	All	1,236	1,316

Item	SKU	Cabinet	Collection	List Price	List Price W/ Install
Base Organizer	448-BCSC-6C	B9-FH	Classic	1,228	1,308
Base Organizer	448-BCSC-9C	B12-FH	Classic	1,458	1,538
Base Organizer	448-BDDSC-5C	B9	All	911	991
Base Organizer	448-BDDSC-8C	B12	All	1,101	1,181
Base Organizer	448-BDDSC-11C	B15	All	1,312	1,392
Food Storage Container Organizer	4FSCO-18SC-1	B18	All	1,567	1,656
Food Storage Container Organizer	4FSCO-24SC-1	B24	All	1,751	1,831
Base Organizer w/ Utensil Bins	448UT-BCSC-5C	B9-FH	All	1,287	1,367
Base Organizer w/ Utensil Bins	448UT-BCSC-8C	B12-FH	All	1,540	1,620
Maple Knife Block & Utensil Base Organizer	448KB-BCSC-8C	B12-FH	All	2,067	2,147
Maple Knife Block & Utensil Base Organizer	448KB-BCSC-11C	B15-FH	All	2,549	2,629
Base Cabinet Pullout	5322-BCSC-6-GR	B9-FH	All	1,516	1,596
Base Cabinet Pullout	5322-BCSC-9-GR	B12-FH	All	1,564	1,644
Base Cabinet Pullout w/ Knife Block & Utensil Bin	5322KB-BCSC-6-GR	B9-FH	All	2,699	2,779
Base Cabinet Pullout w/ Knife Block & Utensil Bin	5322KB-BCSC-9-GR	B12-FH	All	2,868	2,948
Base Cabinet Pullout w/ Utensil Bin	5322UT-BCSC-6-GR	B9-FH	All	1850	1930
Heavy Duty Mixer Lift	ML-MPHDSCCR-18	B18-FH	All	1627	1707
TALL ACCESSORIES					
Wire Pantry Pullout	448-TP43-11-1	UC15	All	3,113	3,193
Wire Pantry Pullout	448-TP43-14-1	UC18	All	3,371	3,451
Solid Bottom Pantry Pullout	5343-13-GR	UC15	Classic	4,225	4,305
Solid Bottom Pantry Pullout	5343-16-GR	UC18	Classic	4,509	4,589
VANITY ACCESSORIES					
L-Shaped Vanity Organizer	441-12VSBSC-1	V24	All	1,196	1,276
L-Shaped Vanity Organizer	441-15VSBSC-1	V30	All	1,449	1,529
Vanity Appliance Storage Rack	4HD-15-1	V30+	All	364	444
Sink Base Waste Pullout	5SBWC-815S-1	V24+	All	524	604
Door Mount Vanity Waste Container	4SOWC	V30	All	281	361
Bottom Mount Waste Container	4WCSC-128-19-1	V24+	All	915	995
Bottom Mount Hamper	4WH-RM-15DM-1	VB18	All	1487	1567
Polymer Bottom Mount Hamper	HPRV-1520 S	VB18	All	486	566

Item	SKU	Cabinet	Collection	List Price	List Price W/ Install
DRAWER ACCESSORIES					
Drawer Peg System w/ 9 Pegs	4DPS-2421	N/A	All	408	488
Drawer Peg System w/ 12 Pegs	4DPS-3021	N/A	All	491	571
Drawer Peg System w/ 16 Pegs	4DPS-3921	N/A	All	626	706
Wood Cutlery Tray Insert	4WCT-1	N/A	All	281	361
Wood Cutlery Tray Insert	4WCT-3	N/A	All	374	454
Tiered Cutlery Drawer	4WTCD-18SC-1	B18	All	941	1,021
Tiered Cutlery Drawer	4WTCD-21SC-1	B21	All	947	1,027
Tiered Cutlery Drawer	4WTCD-24SC-1	B24	All	1,016	1,096
Charging Station	4WCDB-18SC-1	B18	All	1,790	1,870
Charging Station	4WCDB-18FLSC-1	B18	Classic	1,778	1,858
Wood Spice Drawer Inserts	4SDI-18	N/A	All	298	378
Wood Spice Drawer Inserts	4SDI-24	N/A	All	403	483
Wood Spice Drawer Inserts	4SDI-36-1	N/A	All	591	671
Knife Block Insert	4WKB-1	N/A	All	421	501
Wood Utensil Block Insert	4WUT-1	N/A	All	295	375
Wood Utensil Block Insert	4WUT-3	N/A	All	376	456
Utensil Drawer Insert	4WUT-36-1	N/A	All	651	731
Knife Block/Utensil Drawer Insert	4WUTKB-36-1	N/A	All	845	925
Utensil/Cutlery Drawer Insert	4WUTCT-36-1	N/A	All	670	750
SINK ACCESSORIES					
U-Shaped Solid Bottom Shelves	5386-30BCSC-GR	SB33	All	1,708	1,788
U-Shaped Solid Bottom Shelves	5386-33BCSC-GR	SB36	All	1,795	1,875
Towel Holder Pullout	563-51-C	N/A	All	110	190
Drip Tray	SBDT-2730-S-1	SB27-30	All	187	187
Drip Tray	SBDT-3336-S-1	SB33-36	All	208	208
Drip Tray	SBDT-3942-S-1	SB39-42	All	229	229
Sink Base Waste Pullout	5SBWC-815S-1	SB24	All	524	604
Cleaning Caddy Pullout	5CC-915S-11-1	SB30	All	508	588
Sink Front Tip-Out tray	LD-6591-22-11-1	N/A	All	65	145
Sink Front Tip-Out tray	LD-6572-11-11-1	N/A	All	83	163
Sink Front Tip-Out tray	LD-6572-14-11-1	N/A	All	87	167
Sink Base Door Storage	4SBSU-15	SB30	All	298	378
Sink Base Door Storage	4SBSU-18	SB36	All	316	396

Item	SKU	Cabinet	Collection	List Price	List Price W/ Install
Sink Base Door Storage	4SBSU-21	SB42	All	355	435
WALL ACCESSORIES					
Door Mount Spice Rack	4SR-15	W15	All	254	334
Door Mount Spice Rack	4SR-18	W18	All	287	367
Door Mount Spice Rack	4SR-21	W21	All	320	400
Tiered Wall Filler	432-WFBBSC30-6C	F630	All	723	803
Tiered Wall Filler	432-WFBBSC36-6C	F642	All	942	1,022
Tiered Wall Filler	432-WFBBSC42-6C	F642	All	1,012	1,092
LAZY SUSAN ACCESSORIES					
Single Shelf w/ 7" Steel Bearing	LD-4BW-001-18SB-1	CW24	All	364	444
Single Shelf w/ 7" Steel Bearing	LD-4BW-001-20SB-1	CW27	All	373	453
Maple Shelf Set (2)	LD-4BW-062-18-1	CW24	All	696	776
Maple Shelf Set (2)	LD-4BW-062-20-1	CW27	All	703	783
Maple Shelf Set (3)	LD-4BW-063-1836-1	CW24	All	1,012	1,092
Maple Shelf Set (3)	LD-4BW-063-2036-1	CW27	All	1,020	1,100
Polymer Shelf Set (2)	3072-18-11-52	N/A	All	236	316
Polymer Shelf Set (3)	3073-18-11-531	N/A	All	367	447
Polymer Shelf Set (3)	3073-18-11-536	N/A	All	376	456

Cabinet Care Information



Finish Awareness Statement

Thank you for choosing a stained finish product from CNC Cabinetry. When purchasing cabinetry, we would like to ensure our customers are properly educated on the characteristics of the wood used and the finished wood they are purchasing. Please review the following "Finish Awareness Statement".

All of CNC's finishes are applied in the same manner and with the same quality standards. There are some unique characteristics with stained finishes across all wood species, and it is important to understand that these characteristics are not considered quality defects.

1. Wood in its natural state expands and contracts. Because of this natural movement, you may find evidence of slight cracks in joint lines on doors and face frames. Center panels will shrink exposing minor unfinished areas of wood. These slight cracks are normal and not considered quality defects. Proper humidification should be maintained during storage and after installation.

2. Every tree grows differently giving each piece of wood its own unique characteristics. By the very nature of wood, grain patterns and other wood characteristics including mineral streaks, knots, and other variations are considered normal. Because of this, stain will appear differently across the same cabinet. This is the natural beauty of the wood.

3. End grains on door edges and panel profiles may exhibit open grain or voids in wood appearing as "Rough Spots" in the wood. Stains often highlight indentions into the wood. These imperfections are normal and are not considered quality defects.

4. Light-colored wood may heighten light-and-dark effects, and cause blotchiness when medium or dark stains are applied. These are natural occurrences and are within CNC's strict standards of wood-finishing.

These imperfections are normal and will not be considered as reasons for replacement.

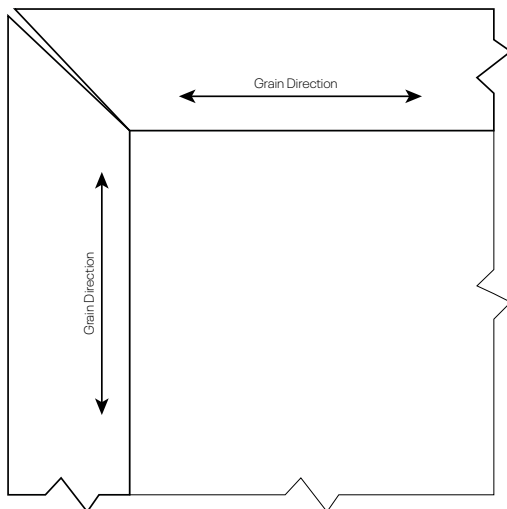
We, the manufacturer, nor your authorized dealer will replace products or issue credit based on any of the above reasons.

Treat your Cabinets with Care:

- Use a soft cotton cloth.
- Do not use abrasive materials (including paper towels).
- Only use soap and warm water.
- Do not spray directly onto the cabinets.
- Do not use any chemicals.
(Note, when using a spray for other items placed near your cabinetry, be careful not to overspray on your cabinets)
- Wipe spills promptly and do not leave wet items against the wood.
- Clean glass doors with a glass cleaner.
(Be careful not to overspray on the wood)
- You can repair small nicks and scratches with our touch up kits.
- Waxing and polishing is not recommended as this can create a film or wax build up on your cabinets and affect the finish.
- You can dust your cabinets with a lightly damp cloth.
(Follow the grain of the wood wiping across can cause scratches)

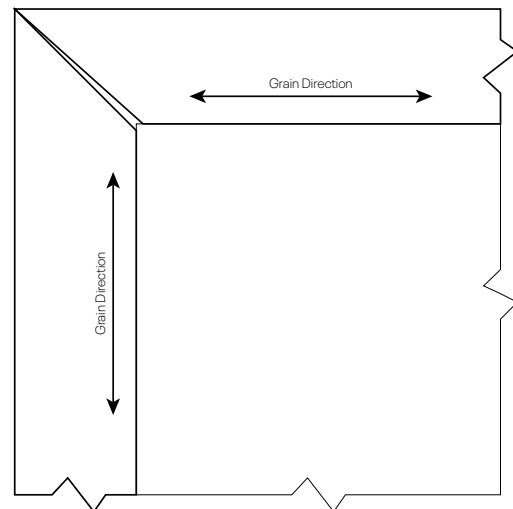
Humidification effects on door with a Miter Joint

High Humidity



When wood swells, miter joints open as shown above

Low Humidity



When wood shrinks, miter joints open as shown above

* Humidification is normal and is not considered a need for replacement.

Limited Lifetime Warranty:

CNC Cabinetry Inc. ("CNC") provides the following limited lifetime warranty to the original Residential Purchaser of all cabinetry and vanities manufactured by CNC. This Limited Lifetime Warranty ("Warranty") is only applicable to cabinets and vanities sold to the original Residential purchaser (as defined below) and used in the applications described below within the United States.

Except as allowed by applicable law, you may not assign or transfer this Warranty.

Under this Warranty, an original Residential purchaser is defined as an individual who purchases and installs the cabinets and vanities in a dwelling that is owned and used by that person as a primary or secondary home. A primary or secondary home does not include rental property. This Warranty does not apply to landlords, leasing companies or other commercial purchasers. Original residential purchaser shall include any business or person such as a builder, contractor or developer that purchases and install CNC cabinets and vanities in a newly constructed or renovated dwelling that will be used by the initial owner/purchaser of that dwelling as a primary or secondary home.

Subject to the limitations and exclusions set forth, CNC warrants to the original Residential purchaser that the cabinets and vanities will be free from defects in material and workmanship, Damage that occurs during normal wear and tear, or damage due to exposure to moisture or extreme temperatures are not covered under the warranty.

The Warranty period for the cabinets and vanities begin on the date the cabinet and vanity were purchased, whether purchased by you or by a third party on your behalf. Your warranty is only valid if you used the dwelling as your primary or secondary home and does not extend to future owners if the property is sold.

This Warranty does not apply to cabinets or vanities: 1. Installed outdoors; 2. misused, abused, or unauthorized alterations; 3. Improperly stored or placed in humid environment or subjected to improper temperatures; 4. Damaged due to flood, fire or other natural disasters; 5. Exhibiting normal wear and tear; 6. Which have been improperly installed, maintained or cleaned. In the event of a defect in the workmanship or materials occurring during the warranty period, CNC will at its option, repair or replace any defective cabinet or vanity or component provided, if it is commercially feasible. If it is not commercially feasible, CNC reserves the right to provide a credit towards a similar type of product sold by CNC. This is your sole and exclusive remedy for any defects.

This Warranty is limited to the replacement of defective parts only and does not include service, labor or transportation charges related to the removal or installation of the defective or replacement parts. This Warranty does not apply to any products used in conjunction with the cabinetry, or vanity, such as countertops, appliances, plumbing fixtures, decorative hardware, lighting. Repair or replacement remedies offered under this Warranty are subject to the current product offerings of styles and construction of CNC at that time. If a warranty claim is filed after a product has been discontinued or obsolete, CNC reserves the right at its sole option, to replace that part with one of the same or similar style based on availability and cannot guarantee an exact match.

The remedies described above are the sole and exclusive remedies and CNC's entire liability for any breach of this Warranty. Total liability shall under no circumstances exceed the actual amount paid for the defective cabinet or vanity. CNC shall not be responsible for any consequential, incidental, special or punitive damages. This Warranty gives you specific legal rights and you may also have other rights which vary from state to state.

For replacements under CNC's limited lifetime warranty, contact your authorized CNC dealer who will arrange for inspection of the cabinet. A dated sales receipt as proof of purchase is required to obtain benefits from this warranty, if you have difficulty reaching your dealer, you may reach out to CNC Cabinetry directly.





Headquarters

101 Kentile Rd
South Plainfield, NJ 07080

South East

4501 Homerun Blvd. # 300
Davenport, FL 33837

Mid Atlantic

2000 Nazareth Church Rd
Spartanburg, SC 29301

West Coast

2770 North Lamb Blvd
Las Vegas, NV 89115

South West

2300 East Bardin Rd
Arlington, TX 76018

