

Surelle Collection

Modern and sophisticated is the perfect way to describe the all-new Surelle floating vanity collection by CNC Cabinetry®. This beautiful, wall-hung vanity is available in four trendy finishes to fit any style of bathroom decor.

Available Finishes



Bianca SL30



Grigio SL31



Cemento SL32



Noce SL33



surelle
floating vanity collection

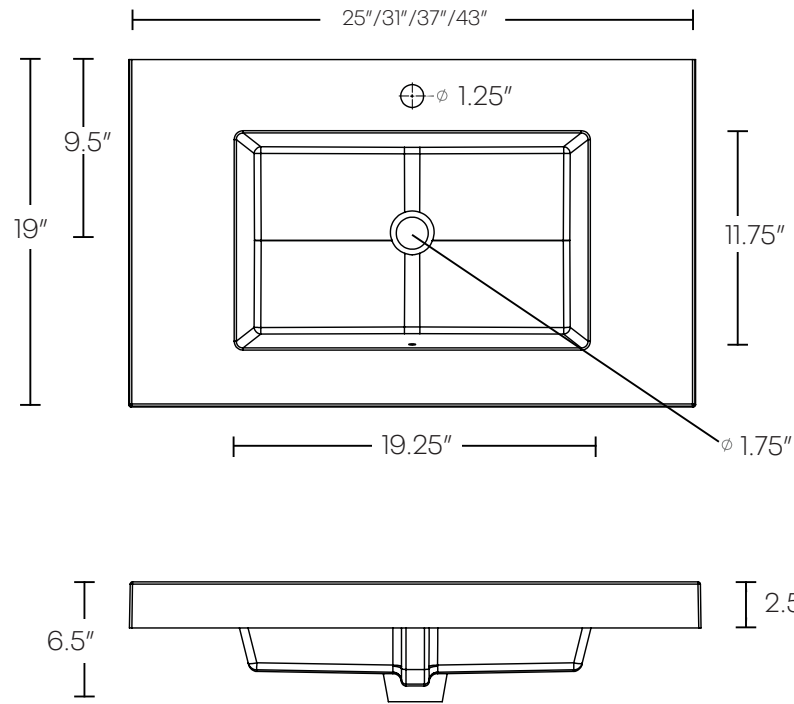
www.cnccabinetry.com

20
23



America's Best Value in Cabinetry

Vanity Top



Please note: Plumbing should be coming out of the wall at a minimum height of 20" off the floor.

If using a vessel sink you can adjust accordingly, based on your sink height.

*Vanity Top includes a single, pre-drilled hole for a faucet

Vanity Styles

Double Door Floating Vanity

24.5"/30.5"/36.5"/42.5"



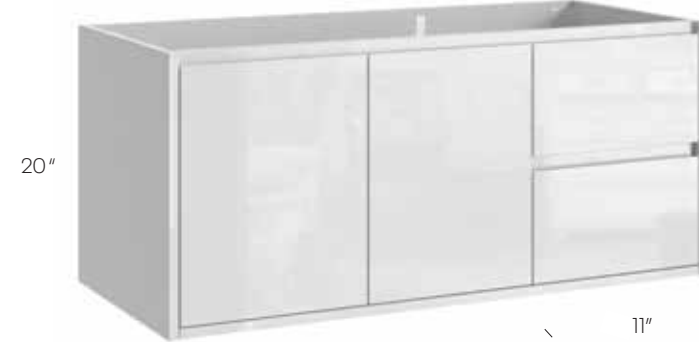
Double Drawer Floating Vanity

24.5"/30.5"/36.5"/42.5"



Double Door and Drawer Floating Vanity

24.5"/30.5"/36.5"/42.5"



Item Number	Bianca SL30	Grigio SL31	Cemento SL32	Noce SL33
-------------	-------------	-------------	--------------	-----------

vanity base only				
V2418-20	581	580	404	414
V3018-20	653	652	448	459
V3618-20	724	722	491	503
V4218-20	796	793	534	548
vanity set				
V2418-20-FT*	1023	1022	847	856
V3018-20-FT*	1194	1193	989	1000
V3618-20-FT*	1302	1300	1069	1082
V4218-20-FT*	1418	1416	1157	1170

*FT items include vanity top

vanity base only				
VDB2418-20	1080	1083	878	894
VDB3018-20	1179	1183	947	966
VDB3618-20	1294	1383	1027	1050
VDB4218-20	1377	1435	1086	1111
vanity set				
VDB2418-20-FT*	1522	1525	1320	1336
VDB3018-20-FT*	1720	1724	1488	1506
VDB3618-20-FT*	1872	1961	1606	1628
VDB4218-20-FT*	2000	2057	1709	1734

*FT items include vanity top

vanity base only				
V3618DL-20	1212	1212	944	960
V3618DR-20	1212	1212	944	960
V4218DL-20	1495	1290	994	1011
V4218DR-20	1495	1290	994	1011
vanity set				
V3618DL-20-FT*	1791	1791	1522	1539
V3618DR-20-FT*	1791	1791	1522	1539
V4218DL-20-FT*	2118	1913	1616	1634
V4218DR-20-FT*	2118	1913	1616	1634

*FT items include vanity top

*For proper installation, the wall area where the vanity will be installed should be lined with plywood under the tile or drywall.

